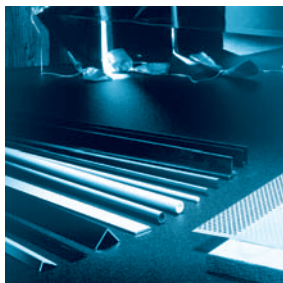
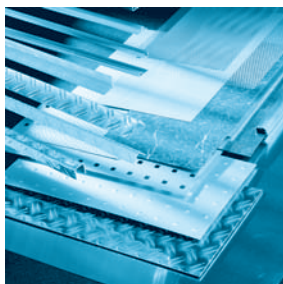
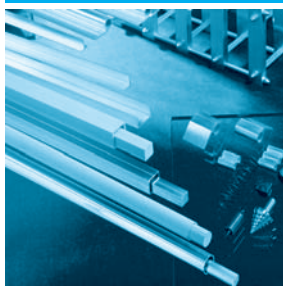




alfer[®]

Hardware catalogue



English



Hardware catalogue

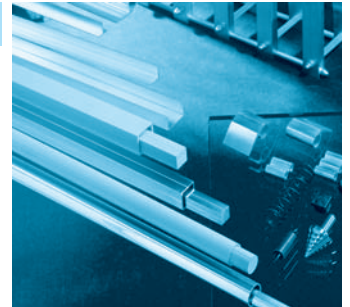
Index

Chapter overview	3
EAN numbers overview	5 – 10
Terms of payment and delivery	11 – 12
General	13

Chapter 1

combitech® profiles

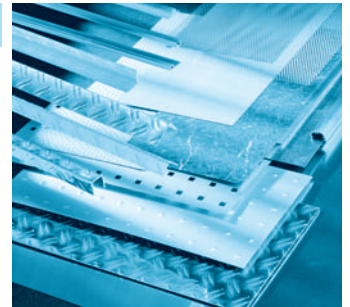
System profiles in aluminium and plastic (Hard PVC)
Metric threaded rods
System accessories
Tool assortment



Chapter 2

Sheets and accessories

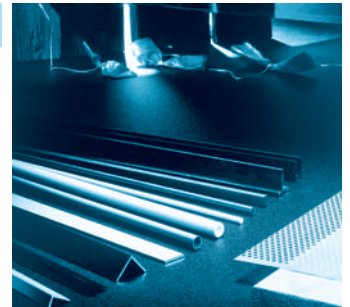
Smooth, embossed, perforated and stretch sheets Primatech and Multitube
Primatech and Multitube
Checker plate profiles
Accessories



Chapter 3

Profiles for DIY and professional purposes

Standard profiles in anodized aluminium, solid brass and standard plastic building profiles, uncoated aluminium standard profiles, steel



Chapter 4

Trimming and order assortment

Profile hooks and utensils support **orditech**®-rail-system and accessories
Massive brackets and Master-clamp



Hardware catalogue

EAN numbers overview

Hardware catalogue - 99005 024 - 71708 - 0705

EAN number	Page	EAN number	Page	EAN number	Page	EAN number	Page
4001116 00139 0	3.8	4001116 01721 6	4.9	4001116 04027 6	3.17	4001116 05061 9	3.8
4001116 00140 6	3.8	4001116 01723 0	4.9	4001116 04028 3	3.17	4001116 05062 6	3.8
4001116 01010 1	3.5	4001116 01725 4	4.9	4001116 04029 0	3.17	4001116 05063 3	3.8
4001116 01011 8	3.5	4001116 01735 3	4.9	4001116 04031 3	3.17	4001116 05064 0	3.8
4001116 01012 5	3.5	4001116 01810 7	4.8	4001116 04032 0	3.17	4001116 05065 7	3.8
4001116 01013 2	3.5	4001116 01811 4	4.8	4001116 04042 9	3.17	4001116 05070 1	3.9
4001116 01014 9	3.5	4001116 01812 1	4.8	4001116 04043 6	3.17	4001116 05071 8	3.9
4001116 01020 0	3.6	4001116 01821 3	4.7	4001116 04044 3	3.17	4001116 05072 5	3.9
4001116 01021 7	3.6	4001116 01822 0	4.7	4001116 04045 0	3.17	4001116 05073 2	3.9
4001116 01022 4	3.6	4001116 01870 1	4.6	4001116 04046 7	3.17	4001116 05080 0	3.9
4001116 01023 1	3.6	4001116 01871 8	4.6	4001116 04047 4	3.17	4001116 05081 7	3.9
4001116 01024 8	3.6	4001116 01872 5	4.6	4001116 04048 1	3.17	4001116 05082 4	3.9
4001116 01025 5	3.6	4001116 01895 4	4.8	4001116 04051 1	3.18	4001116 05090 9	3.9
4001116 01030 9	3.6	4001116 01896 1	4.8	4001116 04052 8	3.18	4001116 05091 6	3.9
4001116 01031 6	3.6	4001116 01897 8	4.8	4001116 04053 5	3.18	4001116 05100 5	3.9
4001116 01032 3	3.6	4001116 01901 2	4.5	4001116 04054 2	3.18	4001116 05101 2	3.9
4001116 01033 0	3.6	4001116 01902 9	4.5	4001116 04055 9	3.18	4001116 05102 9	3.9
4001116 01034 7	3.6	4001116 01903 6	4.5	4001116 04056 6	3.18	4001116 05103 6	3.9
4001116 01040 8	3.5	4001116 01904 3	4.5	4001116 04066 5	3.18	4001116 05104 3	3.9
4001116 01041 5	3.5	4001116 01905 0	4.5	4001116 04067 2	3.18	4001116 05110 4	3.7
4001116 01042 2	3.5	4001116 01906 7	4.5	4001116 04068 9	3.18	4001116 05139 5	3.8
4001116 01043 9	3.5	4001116 01907 4	4.5	4001116 04069 6	3.18	4001116 05140 1	3.8
4001116 01044 6	3.5	4001116 01908 1	4.5	4001116 04070 2	3.18	4001116 05401 3	3.7
4001116 01045 3	3.5	4001116 01909 8	4.5	4001116 04071 9	3.18	4001116 05402 0	3.7
4001116 01050 7	3.7	4001116 01910 4	4.6	4001116 04074 0	3.18	4001116 05403 7	3.10
4001116 01051 4	3.7	4001116 01911 1	4.6	4001116 04075 7	3.18	4001116 05404 4	3.10
4001116 01052 1	3.7	4001116 01912 8	4.6	4001116 04076 4	3.18	4001116 05405 1	3.10
4001116 01053 8	3.7	4001116 01914 2	4.6	4001116 04091 7	3.17	4001116 05410 5	3.10
4001116 01054 5	3.7	4001116 01915 9	4.6	4001116 04092 4	3.17	4001116 06040 3	3.5
4001116 01060 6	3.8	4001116 01916 6	4.6	4001116 04093 1	3.17	4001116 06041 0	3.5
4001116 01061 3	3.8	4001116 01917 3	4.6	4001116 04135 8	3.18	4001116 06042 7	3.5
4001116 01062 0	3.8	4001116 01919 7	4.7	4001116 04139 6	3.18	4001116 06043 4	3.5
4001116 01063 7	3.8	4001116 01920 3	4.7	4001116 04140 2	3.8	4001116 06139 4	3.8
4001116 01064 4	3.8	4001116 01930 2	4.10	4001116 04428 1	3.18	4001116 06140 0	3.8
4001116 01065 1	3.8	4001116 01931 9	4.10	4001116 04431 1	3.17	4001116 07139 3	3.8
4001116 01070 5	3.9	4001116 01932 6	4.10	4001116 04432 8	3.18	4001116 07140 9	3.8
4001116 01071 2	3.9	4001116 01933 3	4.10	4001116 04433 5	3.18	4001116 11140 2	3.13
4001116 01072 9	3.9	4001116 01935 7	4.10	4001116 05010 7	3.5	4001116 11141 9	3.13
4001116 01073 6	3.9	4001116 01936 4	4.10	4001116 05011 4	3.5	4001116 11142 6	3.13
4001116 01080 4	3.9	4001116 01990 6	4.6	4001116 05012 1	3.5	4001116 11143 3	3.13
4001116 01081 1	3.9	4001116 01991 3	4.6	4001116 05013 8	3.5	4001116 11150 1	3.13
4001116 01082 8	3.9	4001116 02010 0	3.5	4001116 05014 5	3.5	4001116 11151 8	3.13
4001116 01090 3	3.9	4001116 02012 4	3.5	4001116 05020 6	3.6	4001116 11152 5	3.13
4001116 01091 0	3.9	4001116 02013 1	3.5	4001116 05021 3	3.6	4001116 11153 2	3.13
4001116 01100 9	3.9	4001116 02020 9	3.6	4001116 05022 0	3.6	4001116 12140 1	3.13
4001116 01101 6	3.9	4001116 02021 6	3.6	4001116 05023 7	3.6	4001116 12141 8	3.13
4001116 01102 3	3.9	4001116 02022 3	3.6	4001116 05024 4	3.6	4001116 12142 5	3.13
4001116 01103 0	3.9	4001116 02023 0	3.6	4001116 05025 1	3.6	4001116 12143 2	3.13
4001116 01104 7	3.9	4001116 02024 7	3.6	4001116 05030 5	3.6	4001116 12150 0	3.13
4001116 01110 8	3.7	4001116 02040 7	3.8	4001116 05031 2	3.6	4001116 12151 7	3.13
4001116 01139 9	3.8	4001116 02041 4	3.5	4001116 05032 9	3.6	4001116 12152 4	3.13
4001116 01140 5	3.8	4001116 02042 1	3.5	4001116 05033 6	3.6	4001116 12153 1	3.13
4001116 01401 7	3.7	4001116 02043 8	3.5	4001116 05034 3	3.6	4001116 12160 9	3.16
4001116 01402 4	3.7	4001116 02139 8	3.8	4001116 05040 4	3.5	4001116 12161 6	3.16
4001116 01403 1	3.10	4001116 02140 4	3.8	4001116 05041 1	3.5	4001116 12162 3	3.16
4001116 01404 8	3.10	4001116 03139 7	3.8	4001116 05042 8	3.5	4001116 12163 0	3.16
4001116 01405 5	3.10	4001116 03140 3	3.8	4001116 05043 5	3.5	4001116 12164 7	3.16
4001116 01410 9	3.10	4001116 04010 8	3.17	4001116 05044 2	3.5	4001116 12165 4	3.16
4001116 01710 0	4.9	4001116 04012 2	3.17	4001116 05045 9	3.5	4001116 12166 1	3.16
4001116 01711 7	4.9	4001116 04014 6	3.17	4001116 05050 3	3.7	4001116 12170 8	3.16
4001116 01712 4	4.9	4001116 04015 3	3.17	4001116 05051 0	3.7	4001116 12171 5	3.16
4001116 01713 1	4.9	4001116 04016 0	3.17	4001116 05052 7	3.7	4001116 12175 3	3.13
4001116 01714 8	4.9	4001116 04017 7	3.17	4001116 05053 4	3.7	4001116 12176 0	3.13
4001116 01715 5	4.9	4001116 04025 2	3.17	4001116 05054 1	3.7	4001116 12300 9	3.14
4001116 01717 9	4.9	4001116 04026 9	3.17	4001116 05060 2	3.8	4001116 12301 6	3.14

EAN number	Page	EAN number	Page	EAN number	Page	EAN number	Page
4001116 12302 3	3.14	4001116 16313 5	3.15	4001116 21148 5	1.17	4001116 21472 1	1.20
4001116 12303 0	3.15	4001116 16314 2	3.15	4001116 21164 5	1.6	4001116 21474 5	1.20
4001116 12304 7	3.15	4001116 16315 9	3.15	4001116 21166 9	1.6	4001116 21484 4	1.8
4001116 12305 4	3.15	4001116 16320 3	3.14	4001116 21168 3	1.6	4001116 21486 8	1.8
4001116 12310 8	3.14	4001116 16321 0	3.14	4001116 21170 6	1.29	4001116 21488 2	1.8
4001116 12311 5	3.14	4001116 16322 7	3.14	4001116 21170 6	1.6	4001116 21504 9	1.8
4001116 12312 2	3.14	4001116 16323 4	3.15	4001116 21184 3	1.6	4001116 21506 3	1.8
4001116 12313 9	3.15	4001116 16324 1	3.15	4001116 21186 7	1.6	4001116 21508 7	1.8
4001116 12314 6	3.15	4001116 16325 8	3.15	4001116 21188 1	1.6	4001116 21522 3	1.21
4001116 12315 3	3.15	4001116 16330 2	3.14	4001116 21190 4	1.230	4001116 21524 7	1.21
4001116 12320 7	3.14	4001116 16331 9	3.14	4001116 21190 4	1.6	4001116 21526 1	1.21
4001116 12321 4	3.14	4001116 16332 6	3.14	4001116 21202 4	1.18	4001116 21528 5	1.21
4001116 12322 1	3.14	4001116 16333 3	3.15	4001116 21204 8	1.18	4001116 21530 8	1.21
4001116 12323 8	3.15	4001116 16334 0	3.15	4001116 21206 2	1.18	4001116 21532 2	1.21
4001116 12324 5	3.15	4001116 16335 7	3.15	4001116 21208 6	1.18	4001116 21534 6	1.21
4001116 12325 2	3.15	4001116 16340 1	3.14	4001116 21210 9	1.18	4001116 21542 1	1.21
4001116 12330 6	3.14	4001116 16341 8	3.14	4001116 21210 9	1.30	4001116 21544 5	1.21
4001116 12331 3	3.14	4001116 16342 5	3.14	4001116 21212 3	1.18	4001116 21546 9	1.21
4001116 12332 0	3.14	4001116 16343 2	3.15	4001116 21214 7	1.18	4001116 21548 3	1.21
4001116 12333 7	3.15	4001116 16344 9	3.15	4001116 21222 2	1.18	4001116 21550 6	1.21
4001116 12334 4	3.15	4001116 16345 6	3.15	4001116 21224 6	1.18	4001116 21552 0	1.21
4001116 12335 1	3.15	4001116 16350 0	3.14	4001116 21226 0	1.18	4001116 21554 4	1.21
4001116 12340 5	3.14	4001116 16351 7	3.14	4001116 21228 4	1.18	4001116 21566 7	1.9
4001116 12341 2	3.14	4001116 16352 4	3.14	4001116 21230 7	1.18	4001116 21568 1	1.9
4001116 12342 9	3.14	4001116 16353 1	3.15	4001116 21230 7	1.30	4001116 21570 4	1.9
4001116 12343 6	3.15	4001116 16354 8	3.15	4001116 21232 1	1.18	4001116 21586 5	1.9
4001116 12344 3	3.15	4001116 16355 5	3.15	4001116 21234 5	1.18	4001116 21588 9	1.9
4001116 12345 0	3.15	4001116 16360 9	3.14	4001116 21282 6	1.18	4001116 21590 2	1.9
4001116 12350 4	3.14	4001116 16361 6	3.14	4001116 21284 0	1.18	4001116 21602 2	1.22
4001116 12351 1	3.14	4001116 16362 3	3.14	4001116 21286 4	1.18	4001116 21604 6	1.22
4001116 12352 8	3.14	4001116 16363 0	3.15	4001116 21288 8	1.18	4001116 21606 0	1.22
4001116 12353 5	3.15	4001116 16364 7	3.15	4001116 21302 1	1.18	4001116 21608 4	1.22
4001116 12354 2	3.15	4001116 16365 4	3.15	4001116 21304 5	1.18	4001116 21610 7	1.22
4001116 12355 9	3.15	4001116 16370 8	3.14	4001116 21306 9	1.18	4001116 21612 1	1.22
4001116 12360 3	3.14	4001116 16371 5	3.14	4001116 21308 3	1.18	4001116 21614 5	1.22
4001116 12361 0	3.14	4001116 16372 2	3.14	4001116 21362 5	1.19	4001116 21622 0	1.22
4001116 12362 7	3.14	4001116 16373 9	3.15	4001116 21364 9	1.19	4001116 21624 4	1.22
4001116 12363 4	3.15	4001116 16374 6	3.15	4001116 21366 3	1.19	4001116 21626 8	1.22
4001116 12364 1	3.15	4001116 16375 3	3.15	4001116 21368 7	1.19	4001116 21628 2	1.22
4001116 12365 8	3.15	4001116 20210 0	3.11	4001116 21370 0	1.19	4001116 21630 5	1.22
4001116 12370 2	3.14	4001116 20211 7	3.11	4001116 21372 4	1.19	4001116 21632 9	1.22
4001116 12371 9	3.14	4001116 20212 4	3.11	4001116 21374 8	1.19	4001116 21634 3	1.22
4001116 12372 6	3.14	4001116 20213 1	3.11	4001116 21382 3	1.19	4001116 21646 6	1.9
4001116 12373 3	3.15	4001116 20220 9	3.11	4001116 21384 7	1.19	4001116 21648 0	1.9
4001116 12374 0	3.15	4001116 20221 6	3.11	4001116 21386 1	1.19	4001116 21650 3	1.9
4001116 12375 7	3.15	4001116 20222 3	3.11	4001116 21388 5	1.19	4001116 21666 4	1.9
4001116 15140 8	3.13	4001116 20223 0	3.11	4001116 21390 8	1.19	4001116 21668 8	1.9
4001116 15141 5	3.13	4001116 20224 7	3.11	4001116 21392 2	1.19	4001116 21670 1	1.9
4001116 15142 2	3.13	4001116 20230 8	3.11	4001116 21394 6	1.19	4001116 21682 4	1.23
4001116 15143 9	3.13	4001116 20231 5	3.11	4001116 21402 8	1.7	4001116 21684 8	1.23
4001116 15150 7	3.13	4001116 20232 2	3.11	4001116 21402 8	1.8	4001116 21686 2	1.23
4001116 15151 4	3.13	4001116 20233 9	3.11	4001116 21404 2	1.7	4001116 21688 6	1.23
4001116 15152 1	3.13	4001116 20234 6	3.11	4001116 21404 2	1.8	4001116 21690 9	1.23
4001116 15153 8	3.13	4001116 20240 7	3.12	4001116 21406 6	1.7	4001116 21692 3	1.23
4001116 16140 7	3.13	4001116 20241 4	3.12	4001116 21406 6	1.8	4001116 21694 7	1.23
4001116 16141 4	3.13	4001116 20242 1	3.12	4001116 21410 3	1.29	4001116 21702 9	1.23
4001116 16142 1	3.13	4001116 20243 8	3.12	4001116 21410 3	1.7	4001116 21704 3	1.23
4001116 16143 8	3.13	4001116 20280 3	3.12	4001116 21410 3	1.8	4001116 21706 7	1.23
4001116 16150 6	3.13	4001116 20281 0	3.12	4001116 21422 6	1.7	4001116 21708 1	1.23
4001116 16151 3	3.13	4001116 20282 7	3.12	4001116 21426 6	1.8	4001116 21710 4	1.23
4001116 16152 0	3.13	4001116 21042 6	1.17	4001116 21424 0	1.7	4001116 21712 8	1.23
4001116 16153 7	3.13	4001116 21044 0	1.17	4001116 21424 0	1.8	4001116 21714 2	1.23
4001116 16160 5	3.16	4001116 21046 4	1.17	4001116 21426 4	1.7	4001116 21762 3	1.24
4001116 16161 2	3.16	4001116 21048 8	1.17	4001116 21426 4	1.8	4001116 21764 7	1.24
4001116 16162 9	3.16	4001116 21050 1	1.17	4001116 21430 1	1.29	4001116 21766 1	1.24
4001116 16163 6	3.16	4001116 21052 5	1.17	4001116 21430 1	1.7	4001116 21768 5	1.24
4001116 16164 3	3.16	4001116 21054 9	1.17	4001116 21430 1	1.8	4001116 21782 1	1.24
4001116 16165 0	3.16	4001116 21062 4	1.17	4001116 21442 4	1.20	4001116 21784 5	1.24
4001116 16166 7	3.16	4001116 21064 8	1.17	4001116 21444 8	1.20	4001116 21786 9	1.24
4001116 16175 9	3.13	4001116 21066 2	1.17	4001116 21446 2	1.20	4001116 21788 3	1.24
4001116 16176 6	3.13	4001116 21068 6	1.17	4001116 21448 6	1.20	4001116 21806 4	1.10
4001116 16177 3	3.13	4001116 21070 9	1.17	4001116 21450 9	1.20	4001116 21808 8	1.10
4001116 16300 5	3.14	4001116 21072 3	1.17	4001116 21450 9	1.30	4001116 21810 1	1.10
4001116 16301 2	3.14	4001116 21074 7	1.17	4001116 21452 3	1.20	4001116 21826 2	1.10
4001116 16302 9	3.14	4001116 21122 5	1.17	4001116 21454 7	1.20	4001116 21828 6	1.10
4001116 16303 6	3.15	4001116 21124 9	1.17	4001116 21462 2	1.20	4001116 21830 9	1.10
4001116 16304 3	3.15	4001116 21126 3	1.17	4001116 21464 6	1.20	4001116 21842 2	1.24
4001116 16305 0	3.15	4001116 21128 7	1.17	4001116 21466 0	1.20	4001116 21844 6	1.24
4001116 16310 4	3.14	4001116 21142 3	1.17	4001116 21468 4	1.20	4001116 21846 0	1.24
4001116 16311 1	3.14	4001116 21144 7	1.17	4001116 21470 7	1.20	4001116 21848 4	1.24
4001116 16312 8	3.14	4001116 21146 1	1.17	4001116 21470 7	1.30	4001116 21850 7	1.24

EAN number	Page	EAN number	Page	EAN number	Page	EAN number	Page
4001116 21852 1	1.24	4001116 25210 5	1.18	4001116 25450 5	1.30	4001116 25682 0	1.23
4001116 21854 5	1.24	4001116 25210 5	1.30	4001116 25452 9	1.20	4001116 25684 4	1.23
4001116 21862 0	1.24	4001116 25212 9	1.18	4001116 25454 3	1.20	4001116 25686 8	1.23
4001116 21864 4	1.24	4001116 25214 3	1.18	4001116 25462 8	1.20	4001116 25688 2	1.23
4001116 21866 8	1.24	4001116 25222 8	1.18	4001116 25464 2	1.20	4001116 25690 5	1.23
4001116 21868 2	1.24	4001116 25224 2	1.18	4001116 25466 6	1.20	4001116 25692 9	1.23
4001116 21870 5	1.24	4001116 25226 6	1.18	4001116 25468 0	1.20	4001116 25694 3	1.23
4001116 21872 9	1.24	4001116 25228 0	1.18	4001116 25470 3	1.20	4001116 25702 5	1.23
4001116 21874 3	1.24	4001116 25230 3	1.18	4001116 25470 3	1.30	4001116 25704 9	1.23
4001116 21890 3	1.11	4001116 25230 3	1.30	4001116 25472 7	1.20	4001116 25706 3	1.23
4001116 21890 3	1.29	4001116 25232 7	1.18	4001116 25474 1	1.20	4001116 25708 7	1.23
4001116 21910 8	1.11	4001116 25234 1	1.18	4001116 25482 6	1.8	4001116 25710 0	1.23
4001116 21910 8	1.29	4001116 25242 6	1.6	4001116 25484 0	1.8	4001116 25712 4	1.23
4001116 25002 6	1.5	4001116 25244 0	1.6	4001116 25486 4	1.8	4001116 25714 8	1.23
4001116 25004 0	1.5	4001116 25246 4	1.6	4001116 25488 8	1.8	4001116 25722 3	1.10
4001116 25006 4	1.5	4001116 25248 8	1.6	4001116 25490 1	1.8	4001116 25724 7	1.10
4001116 25008 8	1.5	4001116 25262 4	1.6	4001116 25492 5	1.8	4001116 25726 1	1.10
4001116 25010 1	1.5	4001116 25264 8	1.6	4001116 25494 9	1.8	4001116 25728 5	1.10
4001116 25012 5	1.5	4001116 25266 2	1.6	4001116 25502 1	1.8	4001116 25742 1	1.10
4001116 25014 9	1.5	4001116 25268 6	1.6	4001116 25504 5	1.8	4001116 25744 5	1.10
4001116 25022 4	1.5	4001116 25282 2	1.18	4001116 25506 9	1.8	4001116 25746 9	1.10
4001116 25024 8	1.5	4001116 25284 6	1.18	4001116 25508 3	1.8	4001116 25748 3	1.10
4001116 25026 2	1.5	4001116 25286 0	1.18	4001116 25510 6	1.8	4001116 25762 9	1.24
4001116 25028 6	1.5	4001116 25288 4	1.18	4001116 25512 0	1.8	4001116 25764 3	1.24
4001116 25030 9	1.5	4001116 25302 7	1.18	4001116 25514 4	1.8	4001116 25766 7	1.24
4001116 25032 3	1.5	4001116 25304 1	1.18	4001116 25522 9	1.21	4001116 25768 1	1.24
4001116 25034 7	1.5	4001116 25306 5	1.18	4001116 25524 3	1.21	4001116 25782 7	1.24
4001116 25042 2	1.17	4001116 25308 9	1.18	4001116 25526 7	1.21	4001116 25784 1	1.24
4001116 25044 6	1.17	4001116 25322 5	1.7	4001116 25528 1	1.21	4001116 25786 5	1.24
4001116 25046 0	1.17	4001116 25324 9	1.7	4001116 25530 4	1.21	4001116 25788 9	1.24
4001116 25048 4	1.17	4001116 25326 3	1.7	4001116 25532 8	1.21	4001116 25802 2	1.10
4001116 25050 7	1.17	4001116 25328 7	1.7	4001116 25534 2	1.21	4001116 25804 6	1.10
4001116 25052 1	1.17	4001116 25330 0	1.7	4001116 25542 7	1.21	4001116 25806 0	1.10
4001116 25054 5	1.17	4001116 25332 4	1.7	4001116 25544 1	1.21	4001116 25808 4	1.10
4001116 25062 0	1.17	4001116 25334 8	1.7	4001116 25546 5	1.21	4001116 25810 7	1.10
4001116 25064 4	1.17	4001116 25342 3	1.7	4001116 25548 9	1.21	4001116 25812 1	1.10
4001116 25066 8	1.17	4001116 25344 7	1.7	4001116 25550 2	1.21	4001116 25814 5	1.10
4001116 25068 2	1.17	4001116 25346 1	1.7	4001116 25552 6	1.21	4001116 25822 0	1.10
4001116 25070 5	1.17	4001116 25348 5	1.7	4001116 25554 0	1.21	4001116 25824 4	1.10
4001116 25072 9	1.17	4001116 25350 8	1.7	4001116 25562 5	1.9	4001116 25826 8	1.10
4001116 25074 3	1.17	4001116 25352 2	1.7	4001116 25564 9	1.9	4001116 25828 2	1.10
4001116 25082 8	1.5	4001116 25354 6	1.7	4001116 25566 3	1.9	4001116 25830 5	1.10
4001116 25084 2	1.5	4001116 25362 1	1.19	4001116 25568 7	1.9	4001116 25832 9	1.10
4001116 25086 6	1.5	4001116 25364 5	1.19	4001116 25570 0	1.9	4001116 25834 3	1.10
4001116 25088 0	1.5	4001116 25366 9	1.19	4001116 25572 4	1.9	4001116 25842 8	1.24
4001116 25102 3	1.5	4001116 25368 3	1.19	4001116 25574 8	1.9	4001116 25844 2	1.24
4001116 25104 7	1.5	4001116 25370 6	1.19	4001116 25582 3	1.9	4001116 25846 6	1.24
4001116 25106 1	1.5	4001116 25372 0	1.19	4001116 25584 7	1.9	4001116 25848 0	1.24
4001116 25108 5	1.5	4001116 25374 4	1.19	4001116 25586 1	1.9	4001116 25850 3	1.24
4001116 25122 1	1.17	4001116 25382 9	1.19	4001116 25588 5	1.9	4001116 25852 7	1.24
4001116 25124 5	1.17	4001116 25384 3	1.19	4001116 25590 8	1.9	4001116 25854 1	1.24
4001116 25126 9	1.17	4001116 25386 7	1.19	4001116 25592 2	1.9	4001116 25862 6	1.24
4001116 25128 3	1.17	4001116 25388 1	1.19	4001116 25594 6	1.9	4001116 25864 0	1.24
4001116 25142 9	1.17	4001116 25390 4	1.19	4001116 25602 8	1.22	4001116 25866 4	1.24
4001116 25144 3	1.17	4001116 25392 8	1.19	4001116 25604 2	1.22	4001116 25868 8	1.24
4001116 25146 7	1.17	4001116 25394 2	1.19	4001116 25606 6	1.22	4001116 25870 1	1.24
4001116 25148 1	1.17	4001116 25402 4	1.8	4001116 25608 0	1.22	4001116 25872 5	1.24
4001116 25162 7	1.6	4001116 25404 8	1.8	4001116 25610 3	1.22	4001116 25874 9	1.24
4001116 25164 1	1.6	4001116 25406 2	1.8	4001116 25612 7	1.22	4001116 25882 4	1.11
4001116 25166 5	1.6	4001116 25408 6	1.8	4001116 25614 1	1.22	4001116 25884 8	1.11
4001116 25168 9	1.6	4001116 25410 9	1.29	4001116 25622 6	1.22	4001116 25886 2	1.11
4001116 25170 2	1.29	4001116 25410 9	1.8	4001116 25624 0	1.22	4001116 25888 6	1.11
4001116 25170 2	1.6	4001116 25411 6	1.29	4001116 25626 4	1.22	4001116 25890 9	1.11
4001116 25171 9	1.29	4001116 25411 6	1.8	4001116 25628 8	1.22	4001116 25890 9	1.29
4001116 25171 9	1.6	4001116 25412 3	1.8	4001116 25630 1	1.22	4001116 25891 6	1.11
4001116 25172 6	1.6	4001116 25414 7	1.8	4001116 25632 5	1.22	4001116 25891 6	1.29
4001116 25174 0	1.6	4001116 25422 2	1.8	4001116 25634 9	1.22	4001116 25892 3	1.11
4001116 25182 5	1.6	4001116 25424 6	1.8	4001116 25642 4	1.9	4001116 25894 7	1.11
4001116 25184 9	1.6	4001116 25426 0	1.8	4001116 25644 8	1.9	4001116 25902 9	1.11
4001116 25186 3	1.6	4001116 25428 4	1.8	4001116 25646 2	1.9	4001116 25904 3	1.11
4001116 25188 7	1.6	4001116 25430 7	1.29	4001116 25648 6	1.9	4001116 25906 7	1.11
4001116 25190 0	1.29	4001116 25430 7	1.8	4001116 25650 9	1.9	4001116 25908 1	1.11
4001116 25190 0	1.6	4001116 25431 4	1.29	4001116 25652 3	1.9	4001116 25910 4	1.11
4001116 25191 7	1.29	4001116 25431 4	1.8	4001116 25654 7	1.9	4001116 25910 4	1.29
4001116 25191 7	1.6	4001116 25432 1	1.8	4001116 25662 2	1.9	4001116 25911 1	1.11
4001116 25192 4	1.6	4001116 25434 5	1.8	4001116 25664 6	1.9	4001116 25911 1	1.29
4001116 25194 8	1.6	4001116 25442 0	1.20	4001116 25666 0	1.9	4001116 25912 8	1.11
4001116 25202 0	1.18	4001116 25444 4	1.20	4001116 25668 4	1.9	4001116 25914 2	1.11
4001116 25204 4	1.18	4001116 25446 8	1.20	4001116 25670 7	1.9	4001116 25926 3	1.11
4001116 25206 8	1.18	4001116 25448 2	1.20	4001116 25672 1	1.9	4001116 25964 7	1.11
4001116 25208 2	1.18	4001116 25450 5	1.20	4001116 25674 5	1.9	4001116 25966 1	1.11

EAN number	Page	EAN number	Page	EAN number	Page	EAN number	Page
4001116 25968 5	1.11	4001116 27803 7	2.23	4001116 29806 6	1.34	4001116 30060 8	1.38
4001116 25970 8	1.11	4001116 27804 4	2.23	4001116 29808 0	1.34	4001116 30061 5	1.38
4001116 25970 8	1.29	4001116 27822 8	2.23	4001116 29810 3	1.34	4001116 30062 2	1.38
4001116 25972 2	1.11	4001116 27823 5	2.23	4001116 29812 7	1.34	4001116 30063 9	1.38
4001116 25974 6	1.11	4001116 27824 2	2.23	4001116 29814 1	1.34	4001116 30064 6	1.38
4001116 25982 1	1.11	4001116 27840 2	2.24	4001116 29824 0	1.34	4001116 30065 3	1.38
4001116 25984 5	1.11	4001116 27841 9	2.24	4001116 29826 4	1.34	4001116 30066 0	1.38
4001116 25986 9	1.11	4001116 27850 1	2.24	4001116 29828 8	1.34	4001116 30067 7	1.38
4001116 25988 3	1.11	4001116 27851 8	2.24	4001116 29830 1	1.34	4001116 30068 4	1.38
4001116 25990 6	1.11	4001116 27860 0	2.24	4001116 29832 5	1.34	4001116 30069 1	1.38
4001116 25990 6	1.29	4001116 27861 7	2.24	4001116 29834 9	1.34	4001116 30070 7	1.38
4001116 25992 0	1.11	4001116 27870 9	2.24	4001116 29848 6	1.34	4001116 30071 4	1.38
4001116 25994 4	1.11	4001116 27871 6	2.24	4001116 29862 2	1.36	4001116 30072 1	1.38
4001116 26042 1	1.12	4001116 27880 8	2.24	4001116 29864 6	1.36	4001116 30073 8	1.38
4001116 26044 5	1.12	4001116 27881 5	2.24	4001116 29866 0	1.36	4001116 30074 5	1.38
4001116 26046 9	1.12	4001116 27890 7	2.24	4001116 29868 4	1.36	4001116 30075 2	1.38
4001116 26048 3	1.12	4001116 27891 4	2.24	4001116 29870 7	1.36	4001116 30076 9	1.38
4001116 26062 9	1.12	4001116 27900 3	2.24	4001116 29872 1	1.36	4001116 30078 3	1.38
4001116 26064 3	1.12	4001116 27901 0	2.24	4001116 29874 5	1.36	4001116 30079 0	1.38
4001116 26066 7	1.12	4001116 27910 2	2.24	4001116 29882 0	1.36	4001116 30080 6	1.39
4001116 26068 1	1.12	4001116 27911 9	2.24	4001116 29884 4	1.36	4001116 30081 3	1.39
4001116 26124 4	1.12	4001116 27920 1	2.24	4001116 29886 8	1.36	4001116 30082 0	1.39
4001116 26128 2	1.12	4001116 27921 8	2.24	4001116 29888 2	1.36	4001116 30083 7	1.39
4001116 26144 2	1.12	4001116 27930 0	2.24	4001116 29890 5	1.36	4001116 30084 4	1.39
4001116 26148 0	1.12	4001116 27931 7	2.24	4001116 29892 9	1.36	4001116 30085 1	1.39
4001116 26204 3	1.13	4001116 27940 9	2.24	4001116 29894 3	1.36	4001116 30086 8	1.39
4001116 26208 1	1.13	4001116 27941 6	2.24	4001116 29902 5	1.37	4001116 30092 9	1.39
4001116 26224 1	1.13	4001116 27950 8	2.22	4001116 29904 9	1.37	4001116 30093 6	1.39
4001116 26228 9	1.13	4001116 28400 7	1.29	4001116 29906 3	1.37	4001116 30094 3	1.39
4001116 26284 5	1.13	4001116 28401 4	1.29	4001116 29908 7	1.37	4001116 30100 1	1.40
4001116 26288 3	1.13	4001116 28402 1	1.29	4001116 29910 0	1.37	4001116 30101 8	1.40
4001116 26304 0	1.13	4001116 28405 2	1.30	4001116 29912 4	1.37	4001116 30102 5	1.40
4001116 26308 8	1.13	4001116 28406 9	1.30	4001116 29914 8	1.37	4001116 30103 2	1.40
4001116 26364 4	1.14	4001116 28504 2	1.25	4001116 29922 3	1.37	4001116 30104 9	1.40
4001116 26368 2	1.14	4001116 28505 9	1.26	4001116 29924 7	1.37	4001116 30105 6	1.40
4001116 26384 2	1.14	4001116 28506 6	1.27	4001116 29926 1	1.37	4001116 30106 3	1.40
4001116 26388 0	1.14	4001116 28514 1	1.25	4001116 29928 5	1.37	4001116 30108 7	1.40
4001116 26444 3	1.14	4001116 28515 8	1.26	4001116 29930 8	1.37	4001116 30109 4	1.40
4001116 26464 1	1.14	4001116 28516 5	1.27	4001116 29932 2	1.37	4001116 30112 4	1.40
4001116 26524 2	1.15	4001116 28524 0	1.25	4001116 29934 6	1.37	4001116 30113 1	1.40
4001116 26544 0	1.15	4001116 28525 7	1.26	4001116 30000 4	1.31	4001116 30114 8	1.40
4001116 26604 1	1.16	4001116 28526 4	1.27	4001116 30001 1	1.31	4001116 30115 5	1.40
4001116 26608 9	1.16	4001116 28534 9	1.25	4001116 30002 8	1.31	4001116 30116 2	1.40
4001116 26624 9	1.16	4001116 28535 6	1.26	4001116 30003 5	1.31	4001116 30122 3	1.35
4001116 26628 7	1.16	4001116 28536 3	1.27	4001116 30004 2	1.31	4001116 30123 0	1.35
4001116 26684 3	1.16	4001116 28544 8	1.25	4001116 30005 9	1.31	4001116 30124 7	1.35
4001116 26688 1	1.16	4001116 28545 5	1.26	4001116 30006 6	1.31	4001116 30125 4	1.35
4001116 26704 8	1.16	4001116 28546 2	1.27	4001116 30007 3	1.31	4001116 30126 1	1.35
4001116 26708 6	1.16	4001116 28554 7	1.25	4001116 30008 0	1.31	4001116 30128 5	1.35
4001116 27040 6	2.19	4001116 28555 4	1.26	4001116 30009 7	1.31	4001116 30129 2	1.35
4001116 27042 0	2.21	4001116 28556 1	1.27	4001116 30014 1	1.31	4001116 30132 2	1.41
4001116 27060 4	2.19	4001116 28564 6	1.25	4001116 30015 8	1.31	4001116 30133 9	1.41
4001116 27080 2	2.19	4001116 28565 3	1.26	4001116 30016 5	1.31	4001116 30134 6	1.41
4001116 27100 7	2.19	4001116 28566 0	1.27	4001116 30018 9	1.31	4001116 30135 3	1.41
4001116 27120 5	2.20	4001116 28574 5	1.25	4001116 30019 6	1.31	4001116 30136 0	1.41
4001116 27140 3	2.20	4001116 28575 2	1.26	4001116 30020 2	1.32	4001116 30142 1	1.41
4001116 27160 1	2.20	4001116 28576 9	1.27	4001116 30021 9	1.32	4001116 30143 8	1.41
4001116 27180 9	2.19	4001116 28584 4	1.25	4001116 30022 6	1.32	4001116 30144 5	1.41
4001116 27200 4	2.19	4001116 28585 1	1.26	4001116 30023 3	1.32	4001116 30145 2	1.41
4001116 27220 2	2.20	4001116 28594 3	1.25	4001116 30024 0	1.32	4001116 30146 9	1.41
4001116 27240 0	2.20	4001116 28595 0	1.26	4001116 30025 7	1.32	4001116 30154 4	1.42
4001116 27260 8	2.20	4001116 28604 9	1.25	4001116 30026 4	1.32	4001116 30156 8	1.42
4001116 27280 6	2.19	4001116 28605 6	1.26	4001116 30028 8	1.32	4001116 30162 9	1.42
4001116 27300 1	2.19	4001116 28614 8	1.25	4001116 30029 5	1.32	4001116 30164 3	1.42
4001116 27320 9	2.20	4001116 28615 5	1.26	4001116 30030 1	1.32	4001116 30172 8	1.42
4001116 27340 7	2.20	4001116 28624 7	1.25	4001116 30031 8	1.32	4001116 30173 5	1.42
4001116 27360 5	2.20	4001116 28625 4	1.27	4001116 30032 5	1.32	4001116 30174 2	1.42
4001116 27500 5	2.22	4001116 28634 6	1.25	4001116 30033 2	1.32	4001116 30175 9	1.42
4001116 27501 2	2.22	4001116 28635 3	1.27	4001116 30034 9	1.32	4001116 30176 6	1.42
4001116 27520 3	2.22	4001116 28644 5	1.25	4001116 30035 6	1.32	4001116 30182 7	1.43
4001116 27521 0	2.22	4001116 28645 2	1.27	4001116 30036 3	1.32	4001116 30183 4	1.43
4001116 27540 1	2.22	4001116 28654 4	1.25	4001116 30042 4	1.32	4001116 30184 1	1.43
4001116 27541 8	2.22	4001116 28655 1	1.27	4001116 30043 1	1.32	4001116 30185 8	1.43
4001116 27560 9	2.22	4001116 28660 5	1.28	4001116 30044 8	1.32	4001116 30186 5	1.43
4001116 27561 6	2.22	4001116 28661 2	1.28	4001116 30052 3	1.35	4001116 30192 6	1.44
4001116 27580 7	2.22	4001116 28662 9	1.28	4001116 30053 0	1.35	4001116 30194 0	1.44
4001116 27581 4	2.22	4001116 29796 0	1.33	4001116 30054 7	1.35	4001116 30204 6	1.43
4001116 27600 2	2.22	4001116 29797 7	1.33	4001116 30055 4	1.35	4001116 30224 4	1.42
4001116 27601 9	2.22	4001116 29798 4	1.33	4001116 30056 1	1.35	4001116 30230 5	1.46
4001116 27742 9	2.23	4001116 29799 1	1.33	4001116 30058 5	1.35	4001116 30231 2	1.46
4001116 27802 0	2.23	4001116 29804 2	1.34	4001116 30059 2	1.35	4001116 30232 9	1.46

EAN number	Page	EAN number	Page	EAN number	Page	EAN number	Page
4001116 30233	6	4001116 30401	9	4001116 34350	6	4001116 34550	0
4001116 30234	3	4001116 30402	6	4001116 34351	3	4001116 34551	7
4001116 30235	0	4001116 30403	3	4001116 34352	0	4001116 34552	4
4001116 30236	7	4001116 30404	0	4001116 34353	7	4001116 34553	1
4001116 30237	4	4001116 30410	1	4001116 34360	5	4001116 34560	9
4001116 30238	1	4001116 30420	0	4001116 34361	2	4001116 34561	6
4001116 30239	8	4001116 30450	7	4001116 34362	9	4001116 34562	3
4001116 30240	4	4001116 30451	4	4001116 34363	6	4001116 34563	0
4001116 30241	1	4001116 30452	1	4001116 34364	3	4001116 34564	7
4001116 30242	8	4001116 30453	8	4001116 34365	0	4001116 34565	4
4001116 30243	5	4001116 30454	5	4001116 34366	7	4001116 34566	1
4001116 30244	2	4001116 30455	2	4001116 34367	4	4001116 34567	8
4001116 30245	9	4001116 30460	6	4001116 34368	2	4001116 34568	5
4001116 30246	6	4001116 30461	3	4001116 34370	4	4001116 34570	8
4001116 30248	0	4001116 30470	5	4001116 34380	3	4001116 34580	7
4001116 30249	7	4001116 30471	2	4001116 34381	0	4001116 34581	4
4001116 30250	3	4001116 30472	9	4001116 34382	7	4001116 34582	1
4001116 30251	0	4001116 30473	6	4001116 34383	4	4001116 34583	8
4001116 30252	7	4001116 30474	3	4001116 34390	2	4001116 34590	6
4001116 30253	4	4001116 30683	9	4001116 34391	9	4001116 34591	3
4001116 30254	1	4001116 30687	7	4001116 34392	6	4001116 34592	0
4001116 30255	8	4001116 30687	7	4001116 34393	3	4001116 34593	7
4001116 30256	5	4001116 30691	4	4001116 34394	0	4001116 34594	4
4001116 30260	2	4001116 30693	8	4001116 34396	4	4001116 34596	8
4001116 30261	9	4001116 30707	2	4001116 34397	1	4001116 34597	5
4001116 30262	6	4001116 30718	8	4001116 34398	8	4001116 34598	2
4001116 30263	3	4001116 30770	6	4001116 34399	5	4001116 34599	9
4001116 30264	0	4001116 30771	3	4001116 34410	7	4001116 34610	1
4001116 30265	7	4001116 30772	0	4001116 34411	4	4001116 34611	8
4001116 30266	4	4001116 30773	7	4001116 34412	1	4001116 34612	5
4001116 30270	1	4001116 30774	4	4001116 34413	8	4001116 34613	2
4001116 30271	8	4001116 30775	1	4001116 34420	6	4001116 34620	0
4001116 30272	5	4001116 30776	8	4001116 34421	3	4001116 34621	7
4001116 30273	2	4001116 30777	5	4001116 34422	0	4001116 34622	4
4001116 30274	9	4001116 30778	2	4001116 34423	7	4001116 34623	1
4001116 30275	6	4001116 30779	9	4001116 34424	4	4001116 34624	8
4001116 30276	3	4001116 30780	5	4001116 34430	5	4001116 34630	9
4001116 30277	0	4001116 30781	2	4001116 34431	2	4001116 34631	6
4001116 30278	7	4001116 30782	9	4001116 34440	4	4001116 34640	8
4001116 30279	4	4001116 30783	6	4001116 34441	1	4001116 34641	5
4001116 30280	0	4001116 30784	3	4001116 34442	8	4001116 34642	2
4001116 30281	7	4001116 30785	0	4001116 34443	5	4001116 34643	9
4001116 30282	4	4001116 30786	7	4001116 34444	2	4001116 34644	6
4001116 30283	1	4001116 30790	4	4001116 34445	9	4001116 34645	3
4001116 30284	8	4001116 30791	1	4001116 34450	3	4001116 34646	0
4001116 30285	5	4001116 30792	8	4001116 34451	0	4001116 34646	3
4001116 30286	2	4001116 30793	5	4001116 34452	7	4001116 34645	3
4001116 30288	6	4001116 30794	2	4001116 34453	4	4001116 34645	3
4001116 30289	3	4001116 30795	9	4001116 34454	1	4001116 34645	3
4001116 30290	9	4001116 30796	6	4001116 34460	2	4001116 34645	3
4001116 30291	6	4001116 31125	3	4001116 34461	9	4001116 34621	7
4001116 30292	3	4001116 31150	5	4001116 34462	6	4001116 34720	7
4001116 30293	0	4001116 31175	8	4001116 34463	3	4001116 34721	4
4001116 30294	7	4001116 31200	7	4001116 34464	0	4001116 34721	4
4001116 30295	4	4001116 31250	2	4001116 34465	7	4001116 34722	1
4001116 30296	1	4001116 31300	4	4001116 34470	1	4001116 34730	6
4001116 30300	5	4001116 31350	9	4001116 34471	8	4001116 34731	3
4001116 30301	2	4001116 31400	1	4001116 34472	5	4001116 34732	0
4001116 30302	9	4001116 31450	6	4001116 34473	2	4001116 34733	0
4001116 30303	6	4001116 31500	8	4001116 34474	9	4001116 34740	5
4001116 30304	3	4001116 34310	0	4001116 34510	4	4001116 34741	2
4001116 30305	0	4001116 34311	7	4001116 34511	1	4001116 34742	9
4001116 30306	7	4001116 34312	4	4001116 34512	8	4001116 34743	6
4001116 30320	3	4001116 34313	1	4001116 34513	5	4001116 34760	3
4001116 30321	0	4001116 34314	8	4001116 34514	2	4001116 34770	2
4001116 30322	7	4001116 34315	5	4001116 34515	9	4001116 34771	9
4001116 30323	4	4001116 34317	9	4001116 34517	3	4001116 34772	6
4001116 30324	1	4001116 34318	6	4001116 34518	0	4001116 34773	3
4001116 30325	8	4001116 34319	3	4001116 34519	7	4001116 34780	1
4001116 30326	5	4001116 34320	9	4001116 34520	3	4001116 34781	8
4001116 30332	6	4001116 34321	6	4001116 34521	0	4001116 34782	5
4001116 30333	3	4001116 34330	8	4001116 34530	2	4001116 34783	2
4001116 30334	0	4001116 34331	5	4001116 34531	9	4001116 34790	0
4001116 30335	7	4001116 34332	2	4001116 34532	6	4001116 34791	7
4001116 30336	4	4001116 34333	9	4001116 34533	3	4001116 34801	3
4001116 30342	5	4001116 34334	6	4001116 34534	0	4001116 37000	7
4001116 30344	9	4001116 34335	3	4001116 34535	7	4001116 37001	4
4001116 30354	8	4001116 34336	0	4001116 34536	4	4001116 37002	1
4001116 30364	7	4001116 34337	7	4001116 34537	1	4001116 37003	8
4001116 30374	6	4001116 34338	4	4001116 34538	8	4001116 37004	5
4001116 30400	2	4001116 34340	7	4001116 34540	1	4001116 37005	2
						4001116 37009	0
						4001116 37020	5
						4001116 37021	2
						4001116 37022	9
						4001116 37023	6
						4001116 37024	3

EAN number	Page	EAN number	Page	EAN number	Page	EAN number	Page
4001116 37030 4	2.6	4001116 37210 0	2.14	4001116 37554 5	2.5	4001116 38109 6	2.9
4001116 37031 1	2.6	4001116 37211 7	2.14	4001116 37559 0	2.5	4001116 38150 8	2.9
4001116 37032 8	2.6	4001116 37212 4	2.14	4001116 37600 9	2.18	4001116 38151 5	2.9
4001116 37033 5	2.6	4001116 37213 1	2.14	4001116 37601 6	2.18	4001116 38152 2	2.9
4001116 37034 2	2.6	4001116 37214 8	2.14	4001116 37602 3	2.18	4001116 38153 9	2.9
4001116 37050 2	2.12	4001116 37260 5	2.14	4001116 37603 0	2.18	4001116 38154 6	2.9
4001116 37051 9	2.12	4001116 37261 2	2.14	4001116 37604 7	2.18	4001116 38200 0	2.6
4001116 37052 6	2.12	4001116 37262 9	2.14	4001116 37650 4	2.18	4001116 38201 7	2.6
4001116 37053 3	2.12	4001116 37263 6	2.14	4001116 37651 1	2.18	4001116 38202 4	2.6
4001116 37054 0	2.12	4001116 37264 3	2.14	4001116 37652 8	2.18	4001116 38203 1	2.6
4001116 37059 5	2.12	4001116 37310 7	2.16	4001116 37653 5	2.18	4001116 38204 8	2.6
4001116 37070 0	2.12	4001116 37311 4	2.16	4001116 37654 2	2.18	4001116 38209 3	2.5
4001116 37071 7	2.12	4001116 37312 1	2.16	4001116 37700 6	2.18	4001116 38250 5	2.9
4001116 37072 4	2.12	4001116 37313 8	2.16	4001116 37701 3	2.18	4001116 38251 2	2.9
4001116 37073 1	2.12	4001116 37314 5	2.16	4001116 37702 0	2.18	4001116 38252 9	2.9
4001116 37074 8	2.12	4001116 37360 2	2.15	4001116 37703 7	2.18	4001116 38253 6	2.9
4001116 37080 9	2.12	4001116 37361 9	2.15	4001116 37704 4	2.18	4001116 38254 3	2.9
4001116 37081 6	2.12	4001116 37362 6	2.15	4001116 37800 3	2.15	4001116 38259 8	2.5
4001116 37082 3	2.12	4001116 37363 3	2.15	4001116 37801 0	2.15	4001116 38502 5	2.8
4001116 37083 0	2.12	4001116 37364 0	2.15	4001116 37802 7	2.15	4001116 38504 9	2.8
4001116 37084 7	2.12	4001116 37369 5	2.15	4001116 37803 4	2.15	4001116 38511 7	2.7
4001116 37100 4	2.11	4001116 37410 4	2.15	4001116 37804 1	2.15	4001116 38513 1	2.7
4001116 37101 1	2.11	4001116 37411 1	2.15	4001116 37809 4	2.15	4001116 38514 8	2.7
4001116 37102 8	2.11	4001116 37412 8	2.15	4001116 37850 8	2.15	4001116 38521 6	2.7
4001116 37103 5	2.11	4001116 37413 5	2.15	4001116 37851 5	2.15	4001116 38524 7	2.7
4001116 37104 2	2.11	4001116 37414 2	2.15	4001116 37852 2	2.15	4001116 38531 5	2.8
4001116 37109 7	2.11	4001116 37460 9	2.17	4001116 37853 9	2.15	4001116 38534 6	2.8
4001116 37120 2	2.11	4001116 37461 6	2.17	4001116 37854 6	2.15	4001116 38541 4	2.8
4001116 37121 9	2.11	4001116 37462 3	2.17	4001116 37859 1	2.15	4001116 38544 5	2.8
4001116 37122 6	2.11	4001116 37463 0	2.17	4001116 37910 9	2.10	4001116 38553 7	2.8
4001116 37123 3	2.11	4001116 37464 7	2.17	4001116 37911 6	2.10	4001116 38563 6	2.7
4001116 37124 0	2.11	4001116 37469 2	2.17	4001116 37912 3	2.10	4001116 38574 2	2.7
4001116 37130 1	2.11	4001116 37470 8	2.17	4001116 37913 0	2.10	4001116 40100 8	1.56
4001116 37131 8	2.11	4001116 37471 5	2.17	4001116 37914 7	2.10	4001116 40101 5	1.56
4001116 37132 5	2.11	4001116 37472 2	2.17	4001116 37960 4	2.10	4001116 40119 0	1.56
4001116 37133 2	2.11	4001116 37473 9	2.17	4001116 37961 1	2.10	4001116 41120 5	1.51
4001116 37134 9	2.11	4001116 37474 6	2.17	4001116 37962 8	2.10	4001116 41121 2	1.52
4001116 37140 0	2.11	4001116 37479 1	2.17	4001116 37963 5	2.10	4001116 41122 9	1.52
4001116 37141 7	2.11	4001116 37481 4	2.17	4001116 37964 2	2.10	4001116 41123 6	1.53
4001116 37142 4	2.11	4001116 37483 8	2.17	4001116 38010 5	2.16	4001116 41124 3	1.54
4001116 37143 1	2.11	4001116 37484 5	2.17	4001116 38011 2	2.16	4001116 41126 7	1.54
4001116 37144 8	2.11	4001116 37491 3	2.17	4001116 38012 9	2.16	4001116 41127 4	1.55
4001116 37149 3	2.11	4001116 37493 7	2.17	4001116 38013 6	2.16	4001116 41200 4	1.57
4001116 37150 9	2.13	4001116 37494 4	2.17	4001116 38014 3	2.16	4001116 41201 1	1.57
4001116 37151 6	2.13	4001116 37509 5	2.13	4001116 38050 1	2.9	4001116 41215 8	1.57
4001116 37152 3	2.13	4001116 37511 8	2.17	4001116 38051 8	2.9	4001116 41216 5	1.57
4001116 37153 0	2.13	4001116 37513 2	2.17	4001116 38052 5	2.9	4001116 41217 2	1.57
4001116 37154 7	2.13	4001116 37514 9	2.17	4001116 38053 2	2.9	4001116 41218 9	1.57
4001116 37155 4	2.13	4001116 37521 7	2.17	4001116 38054 9	2.9	4001116 45110 2	1.56
4001116 37156 1	2.13	4001116 37523 1	2.17	4001116 38059 4	2.9	4001116 45111 9	1.56
4001116 37159 2	2.13	4001116 37524 8	2.17	4001116 38100 3	2.9	4001116 45152 2	1.56
4001116 37172 1	2.13	4001116 37550 7	2.5	4001116 38101 0	2.9	4001116 51919 2	4.7
4001116 37173 8	2.13	4001116 37551 4	2.5	4001116 38102 7	2.9		
4001116 37175 2	2.13	4001116 37552 1	2.5	4001116 38103 4	2.9		
4001116 37176 9	2.13	4001116 37553 8	2.5	4001116 38104 1	2.9		

Hardware catalogue

Terms of payment and delivery

Preamble

All quotations and agreements are based on the Terms and Conditions stipulated below, these are applicable to present and future deliveries and services.

The said Terms and Conditions are deemed to be accepted on placement of the order or, at the latest, on taking delivery. If any of ordering party's purchasing terms differ these Terms and Conditions, such terms are only deemed to apply if they have expressly confirmed by us in writing. Any deviations from these Terms and Conditions must be stipulated in writing.

Any counter-acknowledgement on the part of a buyer with reference to that buyer's trading terms is herewith expressly excluded.

Quotations and Acceptance of Order

All quotations are non-binding. Models, illustrations, drawings, dimensions, weights, shades of colour, etc. appearing in catalogues, brochures and other forms of printed matter are deemed to be approximate values or data customary within the industry.

As far as customised production is concerned, all orders - without exception - must be confirmed in writing, including version, design or workmanship, dimensions, etc.

We assume no liability for errors arising from any records, documents and the like submitted by the ordering party. We reserve the right to make changes to designs or models where these appear to be appropriate and expedient, based on practical experience.

No rights to tools are acquired by the ordering party through costs, or proportion of the cost in respect thereof, being reimbursed to ordering party. Such tools remain our sole property. A charge is made in respect of any samples requested.

Payment

Our invoices are due for payment within 10 days of delivery, with 2% cash discount, or within 30 days net, or subject to special arrangement made in writing. Payments must not be made to representatives or travelling employees.

If payment is effected by bill of exchange, the ordering party bears all expenses, in particular discount and collection charges. Any deduction of discount on payments made by bill of exchange is ruled out. Charges in respect of bills of exchange are due

and payable immediately without deductions of any kind. Acceptances, bills of exchange, and cheques are only valid as payment after they have been duly honoured. Withholding of payment is expressly ruled out, the same applies to offsets against any counter-claims contested by us.

We reserve the right to offset payments made by an ordering party against that party's previous debt.

If deadlines stipulated for payment are exceeded, we shall be entitled to claim interest on arrears at the interest rates and charges invoiced by the banks in respect of standing credits, with additional rights reserved. Failure to adhere to the deadline stipulated for payment will automatically result in all claims falling due immediately, regardless of the period of maturity in respect of any bills of exchange arriving; moreover we shall be entitled in that case to demand advance payment prior to making any further deliveries, to withdraw from the contract, and to have the delivered merchandise, to which reservation of ownership attaches, returned at the expense of the ordering party. The same applies if, following the conclusion of any contract, we become aware of any circumstances that have an adverse effect on the financial standing of the ordering party.

Prices

Orders for which fixed prices have not been expressly stipulated will be invoiced at the prices valid on the date of delivery. If any essential changes occur that affect certain cost factors, in particular wage costs, costs for primary material, or freight, etc., the stipulated price may be adjusted in proportion to the cost factors involved. The prices always apply ex factory, or ex agent's distributing depot, respectively.

Deliveries with a contract value of D 250.00 (excluding VAT) upwards are effected free domicile as applied to German home consignments, or free German border, as applied to consignments destined for abroad. The minimum contract value for the first order is D 150.00 (excluding VAT), and for all further orders is D 25.00 (excluding VAT). Prices quoted in catalogues and price lists (excluding VAT) are deemed to be resellers' prices only.

Packing

Packaging costs are invoiced at the charges customary within the industry.

Dispatch, Freight and Transfer of Risk

Delivery is effected ex factory or ex agent's distributing depot respectively. If the merchandise is to be dispatched, or is to be sent to the destination of an ordering party pursuant to that party's request, the risk of accidental loss or accidental deterioration of the merchandise is transferred to the ordering party as soon as the consignment is surrendered to the carrier commissioned with its dispatch (Section § 447 BGB - German Civil Code), or at the latest, when leaving the factory or the agent's distributing depot, regardless of whether dispatch is executed from the place of performance or not, and regardless of who bears the freight charges. If the merchandise is ready to be forwarded and any delays occur in dispatch, delivery to the requested destination or the taking of delivery, the merchandise is deemed to be transferred to the ordering party as soon as notification has been sent reporting readiness for dispatch. This does not apply if delays are attributed to reasons for which we are responsible.

The ruling criteria for billing purposes are deemed to be the weights and quantities ascertained at the time of dispatch.

Delivery Times

All delivery times quoted are deemed to be non-binding in each case. The delivery time begins on the date on which the order confirmation is mailed, but not before all details concerning the order have been clarified, and is deemed to have been adhered to if, by the end of said period, the merchandise has left the factory or the agent's distributing depot or - in if dispatch is impossible - notification has been given reporting readiness for dispatch. In the event of unforeseen obstacles arising which we have been unable to prevent despite our having taken reasonable care in the given circumstances, regardless of whether such circumstances affect us or our subcontractors - e.g. breakdown or interruption of operations, official intervention, industrial disputes, delays affecting incoming supplies of essential materials - the delivery time will be extended accordingly, even where a delay in delivery may have already occurred.

The ordering party will be notified immediately when such circumstances occur. Where subsequent modifications are made to an existing contract

that may possibly affect the delivery time, and in the absence of any special arrangements, the delivery time will be extended accordingly. If there is a delay in delivery time, the statutory provisions are deemed to apply subject to the following proviso:

The ordering party may only claim damages for non-performance resulting from Section § 326 if third-party claims for damages have been made on the ordering party itself. All claims in respect of compensation for lost profits are excluded. Any claims for compensation are limited to the value of the merchandise. We are only answerable for delays in delivery and performance resulting from simple negligence, if these are typical contractual delays. In the event of our being charged with gross negligence, we will effect compensation for damage caused by such delay. Compensation is limited to the value of the merchandise.

Any fixing of a time limit is deemed to be ineffective if a delay in delivery is attributed to force majeure, or to any circumstances for which we are not responsible. Force majeure is deemed to apply if we are hindered in the performance of obligations due to unforeseen circumstances having occurred, especially outside influences which we have been unable to prevent despite our having taken reasonable care in the given circumstances; force majeure is also deemed to extend to strikes and lockouts. The ordering party will be notified immediately when force majeure occurs.

Quantity Delivered

Where goods are manufactured to customers' specifications it is not possible to adhere to precise quantities. Customised manufacture is deemed to apply to all models or designs deviating from those specified in our valid catalogues or brochures, in particular as regards colour.

Notice of Defects

After arrival of the merchandise at the place of destination, the ordering party is under obligation to examine the same without delay. The ordering party's obligation to carry out such examinations is deemed to extend to the entire consignment. Shipping documents must not be signed (not even subject to reservation) before the delivered number of cartons has been compared with the particulars stated on said documents. A precise note of

missing cartons or damage must be made on the shipping documents and confirmed by the carrier affixing a clearly legible signature.

Obvious defects must be reported to us immediately upon receipt of merchandise, i.e. on the date of delivery. Notice of defects must be made in writing, stating exact details of each alleged defect. Non-apparent defects must be reported to us in writing immediately upon their being discovered, but within 5 working days, at the latest, after arrival of the merchandise. Complaints or notices of defects submitted at a later date do not substantiate any claim in respect of rescission, reduction of the purchase price, subsequent delivery, or substitute delivery under the contract of sale.

Merchandise subject to complaint must be properly stored and kept at our disposal. We must be given the opportunity of examining the merchandise subject to complaint (obligation to present the merchandise thus affected). Should proof be established of a defect having occurred, we will - at the ordering party's option - undertake to rectify the same, or to deliver merchandise free of defects concurrently against return of the merchandise subject to complaint, in which case the mode of dispatch will be decided at our sole discretion. In the event of rectification of the defect failing, or if no substitute delivery is made, the ordering party will be entitled to claim reduction of the purchase price or rescission. Beyond that, any further claims of the ordering party, especially compensation in for indirect damage or consequential damage caused by a defect, are excluded unless they are due to intent or gross negligence.

Reservation of Ownership

All merchandise remains our property (merchandise subject to reservation of ownership) until payment of all claims or debts resulting from the pertinent business relations has been effected in full. The transfer of individual claims to a current account as well as the drawing of any balance and acknowledgement of the same have no effect on reservation of ownership. The ordering party is entitled to dispose of the merchandise subject to reservation of ownership in the ordinary course of business. Beyond that, any other forms of disposal, such as assignment by way of pledge, transfer by way of security, or sale involving payment by instalments, are inadmissible. If and when reselling on credit, any merchandise that is subject to reservation of ownership, the ordering party is under obligation to safeguard our rights. If the ordering party sells merchandise on credit that is subject to reservation of ownership, said ordering party herewith agrees in advance to assign to us of all claims or debts resulting from resale. We herewith agree to accept said assignment. The ordering party will continue to be authorised to collect the said debts until being prohibited from doing so by us due to default of payment, financial collapse or any other reason. In that case the ordering party undertakes to submit to us, on demand, a declaration of assignment in duplicate, in respect of each individual claim or debt, disclosing the identity of the debtor in each case. Claims against third parties resulting from processing, installation, mixture, or confusion of our property with other objects, are deemed to be assigned to us here and now together with all ancillary bills or invoices affecting the purchase price.

Performance of current contracts of

sale may be rendered subject to advance payment or the provision of security.

In the event of any default in payment or financial collapse occurring, we shall be entitled to claim immediate surrender of the merchandise subject to reservation of ownership. Up to the time the merchandise subject to reservation of ownership is surrendered to us, the ordering party undertakes to effect separate storage of said merchandise delivered by us, and to identify the same as being our property. Any claims that are limited in time will then fall due immediately. Any bills of exchange that have been deposited must be honoured concurrently against cash payment, regardless of their maturity.

The ordering party undertakes to notify us immediately concerning any third-party action taken to levy execution upon the merchandise subject to reservation of ownership, or upon the claims or debts already assigned in advance, forwarding to us all documentation required for intervention - two copies of the bailiff's return in the event of attachment or seizure of the merchandise subject to reservation of ownership.

At ordering party's request, we undertake to release the security due to us if, at our own option, the value thereof exceeds the claims for which security is to be provided by 20 %.

The ordering party undertakes to insure and protect the merchandise against the risk of fire, water, vandalism and theft, as well as other forms of (accidental) loss and (accidental) deterioration and to furnish proof to us on demand that the appropriate insurance policies have been taken out. All claims made on the insurer, if any, resulting from said insurance policies are herewith deemed to be assigned

to us in respect of the merchandise subject to reservation of ownership delivered by us. We herewith agree to accept such assignment. If we take back the merchandise subject to our reservation of ownership, this is not to be interpreted as being a withdrawal from the contract, unless the Consumer Credit Act applies.

Product Liability

We incur liability within the limits imposed by the Product Liability Act.

Place of Performance and Legal Venue

The place of performance in respect of delivery and payment is deemed to be Wutöschingen.

The legal venue of the seller applies as the exclusive venue to the ordering party, the latter is deemed to be a merchant entered in the Commercial Register, in respect of all disputes arising between the seller and buyer. This also applies to disputes arising from the negotiation of bills of exchange and cheques.

Validity of Contract

If individual provisions of the contract are or become invalid in law, the remaining provisions of the contract will remain binding.

Managing Director

Dr. Christof Maisch
Thomas Wilbs

Commercial Register

Waldshut HRB 227

Hardware catalogue

General

Explanations

1. Product design

All products are available as presented in this catalogue. We reserve the right to make modifications in the interest of technical progress and product improvement.

2. Technical data

All technical diagrams and dimensions quoted are non-binding. The dimensions indicated are approximate and may deviate slightly.

3. Aluminium quality standard

The quality standard of the material used complies with DIN 1748.

4. Right of use (shops/displays)

The shops are made available free of charge. They remain the property of **alfer** and are solely intended for presentation of **alfer** products.

5. Right of use (catalogue and data media)

This catalogue or data media is intended for the sole use of the recipient. It must not be loaned or given to third parties.

It remains the exclusive property of **alfer** aluminium Gesellschaft mbH, Wutöschingen.

alfer reserves the right to demand the return of the catalogue or data media, if it is used for purposes of unfair competition. The catalogue or the data media may not be reprinted or reproduced, either in part or in full, nor may the illustrations or the design be imitated.

Explanation of terms used

1. Minimum order unit

Min.OU:

The minimum order unit specifies both the minimum order quantity of an item and the order unit.

E.g.: Min.OU = 5 pcs.

means that orders must either be for a minimum of 5 pieces of this item, or multiples thereof.

2. Packaging

loose

The item is not packed.

shrink-wrapped

The loose item is shrink-wrapped in transparent PE foil.

shrink-wrapped SS

The shrink-wrapped item comes with a SS Europerforation allowing it to be suspended.

clap-pac

The item comes in impact-resistant, transparent, PVC snapshot packaging (multi-perforation) and can be re-closed.

SS polybag

The item comes in a PE tube.

transparent tin

The item comes in a shockproof, transparent PVC tin container, which can be re-closed.

on roll

The item comes on a roll and can be cut to measure.

SS cardboard box

The item comes in a SS cardboard box.

SS bag

The item is packed in a transparent LDPE bag (Euro perforation).

sealed

The item is sealed with a transparent PE foil.

foil-wrapped

The item is provided with a protective foil.

SS-skinpack

The item is "vacuumized" onto a special cardboard (Europerforation) with a transparent PE foil.

Explanations Brand Names

Important Note!

The following trademarks (®, M.R.) are registered for the **alfer aluminium Gesellschaft mbH**, D-79793 Wutöschingen, (as of: 01.06.2005)

alfer®

(EU) (FL) (CH) (CDN) (USA)

alferceram®

(D) (A) (B) (E) (F) (I)

(L) (NL) (P) (CH)

alferoxal®

(D) (A) (B) (E) (F) (I)

(L) (NL) (P) (CH)

cabelino®

(EU) (CH)

clipstech®

(D) (A) (B) (F) (I) (L)

(NL) (USA)

combitech®

(D) (A) (B) (CZ) (DK) (E)

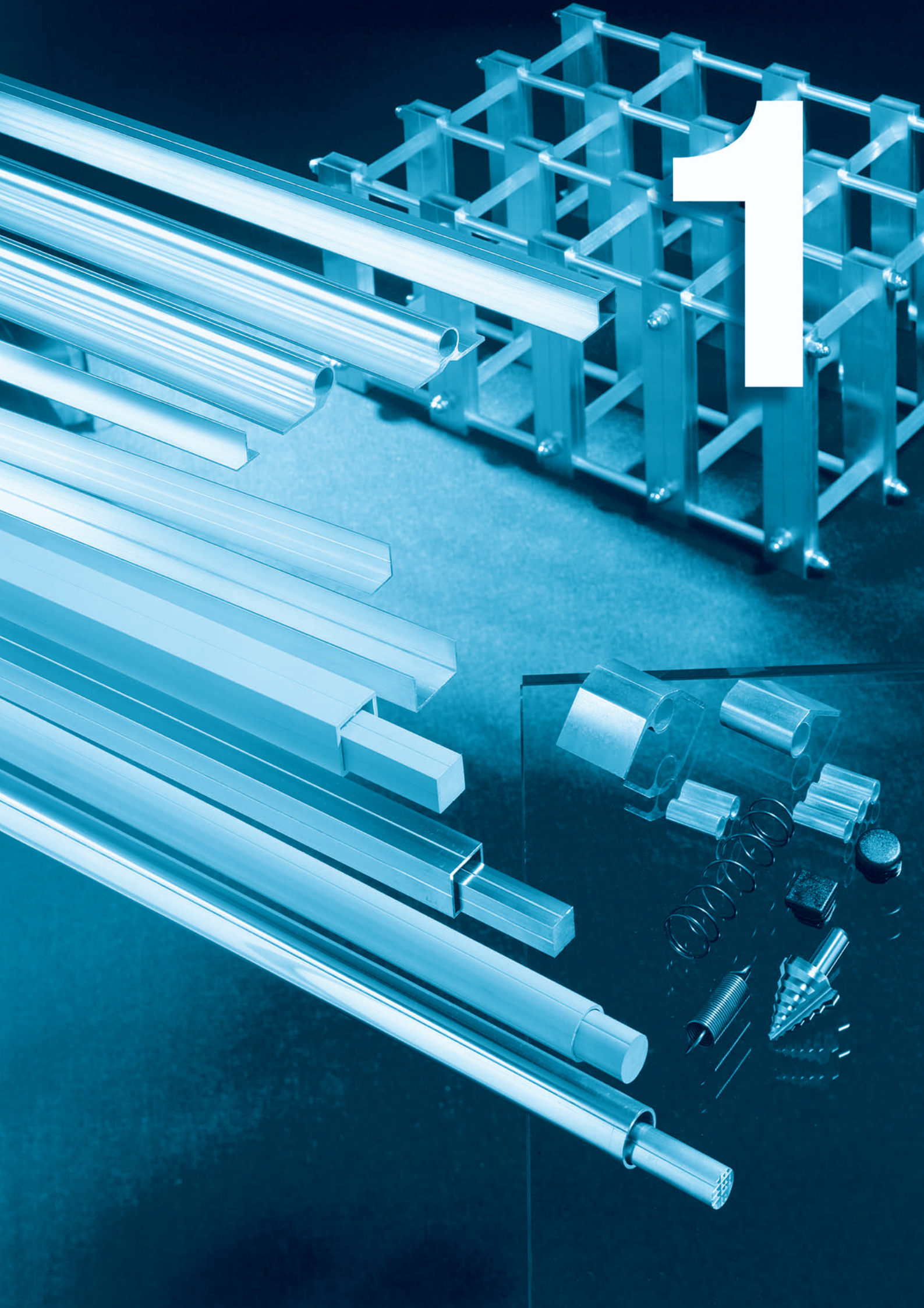
(F) (FIN) (H) (I) (L) (NL)

(P) (PL) (CH) (FL) (USA)

orditech®

(D)

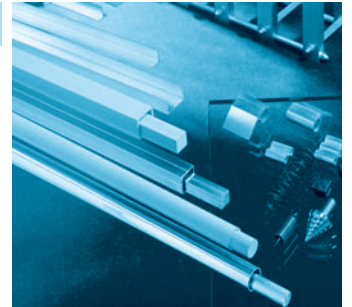
The use of these rights is permitted only upon expressed authorization by **alfer aluminium Gesellschaft mbH**, D-79793 Wutöschingen.



1

Chapter 1

combitech[®] profiles



System profiles in aluminium 1.5 – 1.16

Standard profiles in plastic (hard PVC) 1.17 – 1.24

connect 1.25 – 1.30

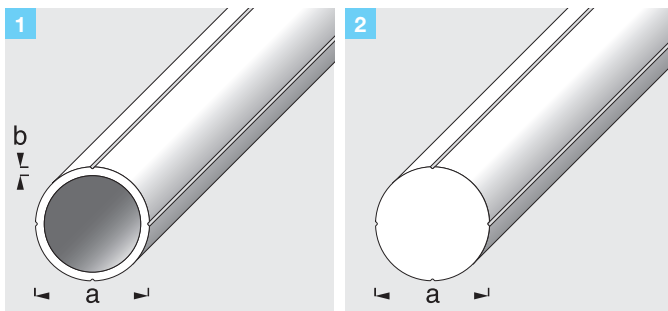
Metric threaded rods 1.31 – 1.32

System accessories 1.33 – 1.50

Tool assortment 1.51 – 1.57

Hardware catalogue · 99005 024 · 71708 · 0705

combitech® profiles

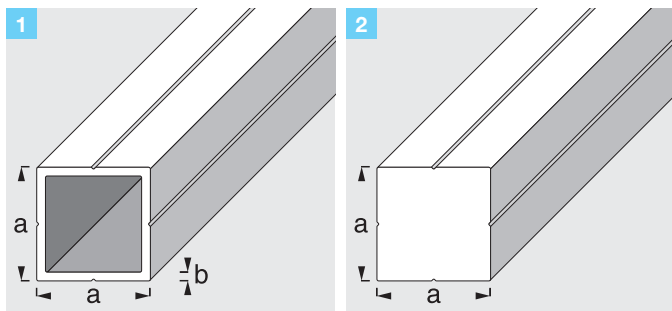


System profiles in aluminium

Color	Dim. a	Dim. b	For	Packaging	Min.OU	Length: 1.00 m	Length: 2.50 m
						EAN / item no.	EAN / item no.
1 Round tubes							
uncoated	7.5 mm	1.0 mm	M 5	loose	5 pcs.	4001116250026	4001116250224
uncoated	11.5 mm	1.5 mm	M 8	loose	5 pcs.	4001116250040	4001116250248
uncoated	15.5 mm	1.5 mm	M 12	loose	5 pcs.	4001116250064	4001116250262
uncoated	19.5 mm	1.5 mm	M 16	loose	5 pcs.	4001116250088	4001116250286
uncoated	23.5 mm	1.5 mm	M 20	loose	5 pcs.	4001116250101	4001116250309
uncoated	29.5 mm	2.4 mm	M 24	loose	5 pcs.	4001116250125	4001116250323
uncoated	35.5 mm	2.4 mm	M 30	loose	5 pcs.	4001116250149	4001116250347
2 Round bars							
uncoated	7.5 mm			loose	5 pcs.	4001116250828	4001116251023
uncoated	11.5 mm			loose	5 pcs.	4001116250842	4001116251047
uncoated	15.5 mm			loose	5 pcs.	4001116250866	4001116251061
uncoated	19.5 mm			loose	5 pcs.	4001116250880	4001116251085

Hardware catalogue - 99005 024 - 71708 - 0705

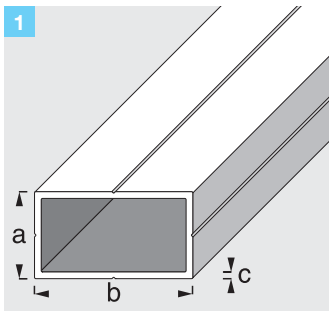
combitech® profiles



System profiles in aluminium

Color	Dim. a	Dim. b	For	Packaging	Min.OU	Length: 1.00 m	Length: 2.50 m
						EAN / item no.	EAN / item no.
1 Square tubes							
uncoated	7.5 mm	1.0 mm	M 5	loose	5 pcs.	4001116 251627	4001116 251825
uncoated	11.5 mm	1.5 mm	M 8	loose	5 pcs.	4001116 251641	4001116 251849
uncoated	15.5 mm	1.5 mm	M 12	loose	5 pcs.	4001116 251665	4001116 251863
uncoated	19.5 mm	1.5 mm	M 16	loose	5 pcs.	4001116 251689	4001116 251887
uncoated	23.5 mm	1.5 mm	M 20	loose	5 pcs.	4001116 251702	4001116 251900
uncoated	29.5 mm	2.4 mm	M 24	loose	5 pcs.	4001116 251726	4001116 251924
uncoated	35.5 mm	2.4 mm	M 30	loose	5 pcs.	4001116 251740	4001116 251948
1 Square tubes, anodized							
silver	23.5 mm	1.5 mm	M 20	shrink-wrapped	5 pcs.	4001116 251719	4001116 251917
1 Square tubes, powder-coated							
brilliant-white	11.5 mm	1.5 mm	M 8	shrink-wrapped	5 pcs.	4001116 211645	4001116 211843
brilliant-white	15.5 mm	1.5 mm	M 12	shrink-wrapped	5 pcs.	4001116 211669	4001116 211867
brilliant-white	19.5 mm	1.5 mm	M 16	shrink-wrapped	5 pcs.	4001116 211683	4001116 211881
brilliant-white	23.5 mm	1.5 mm	M 20	shrink-wrapped	5 pcs.	4001116 211706	4001116 211904
2 Square rods							
uncoated	7.5 mm			loose	5 pcs.	4001116 252426	4001116 252624
uncoated	11.5 mm			loose	5 pcs.	4001116 252440	4001116 252648
uncoated	15.5 mm			loose	5 pcs.	4001116 252464	4001116 252662
uncoated	19.5 mm			loose	5 pcs.	4001116 252488	4001116 252686

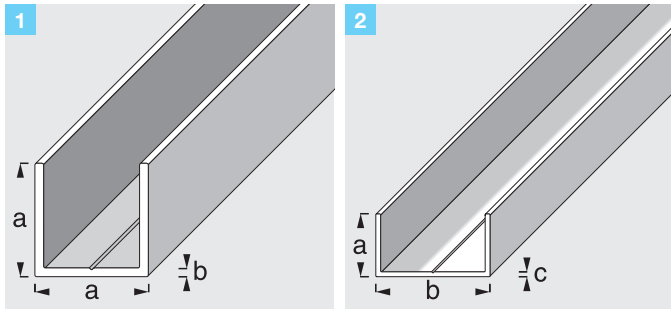
combitech® profiles



System profiles in aluminium

Color	Dim. a	Dim. b	Dim. c	For	Packaging	Min.OU	Length: 1.00 m	Length: 2.50 m
							EAN / item no.	EAN / item no.
1 Rectangular tubes								
uncoated	7.5 mm	12.5 mm	1.0 mm	M 5	loose	5 pcs.	4001116253225	4001116253423
uncoated	11.5 mm	19.5 mm	1.5 mm	M 8	loose	5 pcs.	4001116253249	4001116253447
uncoated	15.5 mm	27.5 mm	1.5 mm	M 12	loose	5 pcs.	4001116253263	4001116253461
uncoated	19.5 mm	35.5 mm	1.5 mm	M 16	loose	5 pcs.	4001116253287	4001116253485
uncoated	23.5 mm	43.5 mm	1.5 mm	M 20	loose	5 pcs.	4001116253300	4001116253508
uncoated	29.5 mm	53.6 mm	2.4 mm	M 24	loose	5 pcs.	4001116253324	4001116253522
uncoated	35.5 mm	65.6 mm	2.4 mm	M 30	loose	5 pcs.	4001116253348	4001116253546

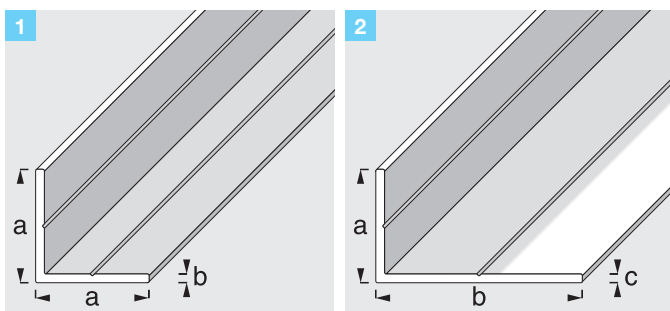
combitech® profiles



System profiles in aluminium

Color	Dim. a	Dim. b	Dim. c	Packaging	Min.OU	Length: 1.00 m	Length: 2.50 m
						EAN / item no.	EAN / item no.
1 Square U							
uncoated	7.5 mm	1.0 mm		loose	5 pcs.	4001116 254024	4001116 254222
uncoated	11.5 mm	1.5 mm		loose	5 pcs.	4001116 254048	4001116 254246
uncoated	15.5 mm	1.5 mm		loose	5 pcs.	4001116 254062	4001116 254260
uncoated	19.5 mm	1.5 mm		loose	5 pcs.	4001116 254086	4001116 254284
uncoated	23.5 mm	1.5 mm		loose	5 pcs.	4001116 254109	4001116 254307
uncoated	29.5 mm	2.4 mm		loose	5 pcs.	4001116 254123	4001116 254321
uncoated	35.5 mm	2.4 mm		loose	5 pcs.	4001116 254147	4001116 254345
1 Square U, anodized							
silver	23.5 mm	1.5 mm		shrink-wrapped	5 pcs.	4001116 254116	4001116 254314
1 Square U, powder-coated							
brilliant-white	7.5 mm	1.0 mm		shrink-wrapped	5 pcs.	4001116 214028	4001116 214226
brilliant-white	11.5 mm	1.5 mm		shrink-wrapped	5 pcs.	4001116 214042	4001116 214240
brilliant-white	15.5 mm	1.5 mm		shrink-wrapped	5 pcs.	4001116 214066	4001116 214264
brilliant-white	23.5 mm	1.5 mm		shrink-wrapped	5 pcs.	4001116 214103	4001116 214301
2 Rectangular U							
uncoated	7.5 mm	12.5 mm	1.0 mm	loose	5 pcs.	4001116 254826	4001116 255021
uncoated	11.5 mm	19.5 mm	1.5 mm	loose	5 pcs.	4001116 254840	4001116 255045
uncoated	15.5 mm	27.5 mm	1.5 mm	loose	5 pcs.	4001116 254864	4001116 255069
uncoated	19.5 mm	35.5 mm	1.5 mm	loose	5 pcs.	4001116 254888	4001116 255083
uncoated	23.5 mm	43.5 mm	1.5 mm	loose	5 pcs.	4001116 254901	4001116 255106
uncoated	29.5 mm	53.6 mm	2.4 mm	loose	5 pcs.	4001116 254925	4001116 255120
uncoated	35.5 mm	65.6 mm	2.4 mm	loose	5 pcs.	4001116 254949	4001116 255144
2 Rectangular U, powder-coated							
brilliant-white	11.5 mm	19.5 mm	1.5 mm	shrink-wrapped	5 pcs.	4001116 214844	4001116 215049
brilliant-white	15.5 mm	27.5 mm	1.5 mm	shrink-wrapped	5 pcs.	4001116 214868	4001116 215063
brilliant-white	19.5 mm	35.5 mm	1.5 mm	shrink-wrapped	5 pcs.	4001116 214882	4001116 215087

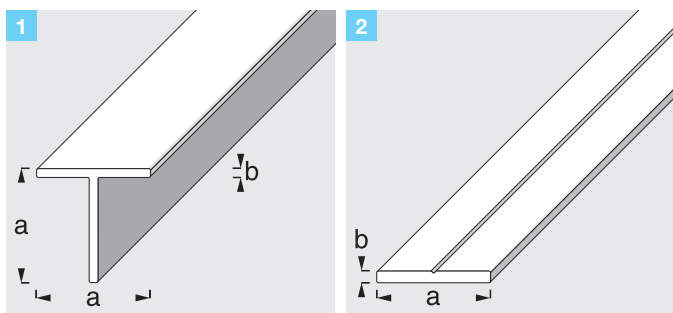
combitech® profiles



System profiles in aluminium

Color	Dim. a	Dim. b	Dim. c	Packaging	Min.OU	Length: 1.00 m	Length: 2.50 m
						EAN / item no.	EAN / item no.
1 Angle, equal-sided							
uncoated	7.5 mm	1.0 mm		loose	5 pcs.	4001116255625	4001116255823
uncoated	11.5 mm	1.5 mm		loose	5 pcs.	4001116255649	4001116255847
uncoated	15.5 mm	1.5 mm		loose	5 pcs.	4001116255663	4001116255861
uncoated	19.5 mm	1.5 mm		loose	5 pcs.	4001116255687	4001116255885
uncoated	23.5 mm	1.5 mm		loose	5 pcs.	4001116255700	4001116255908
uncoated	29.5 mm	2.4 mm		loose	5 pcs.	4001116255724	4001116255922
uncoated	35.5 mm	2.4 mm		loose	5 pcs.	4001116255748	4001116255946
1 Angle, equal-sided, powder-coated							
brilliant-white	15.5 mm	1.5 mm		shrink-wrapped	5 pcs.	4001116215667	4001116215865
brilliant-white	19.5 mm	1.5 mm		shrink-wrapped	5 pcs.	4001116215681	4001116215889
brilliant-white	23.5 mm	1.5 mm		shrink-wrapped	5 pcs.	4001116215704	4001116215902
2 Angle, unequal-sided							
uncoated	7.5 mm	12.5 mm	1.0 mm	loose	5 pcs.	4001116256424	4001116256622
uncoated	11.5 mm	19.5 mm	1.5 mm	loose	5 pcs.	4001116256448	4001116256646
uncoated	15.5 mm	27.5 mm	1.5 mm	loose	5 pcs.	4001116256462	4001116256660
uncoated	19.5 mm	35.5 mm	1.5 mm	loose	5 pcs.	4001116256486	4001116256684
uncoated	23.5 mm	43.5 mm	1.5 mm	loose	5 pcs.	4001116256509	4001116256707
uncoated	29.5 mm	53.6 mm	2.4 mm	loose	5 pcs.	4001116256523	4001116256721
uncoated	35.5 mm	65.6 mm	2.4 mm	loose	5 pcs.	4001116256547	4001116256745
2 Angle, unequal-sided, powder-coated							
brilliant-white	15.5 mm	27.5 mm	1.5 mm	shrink-wrapped	5 pcs.	4001116216466	4001116216664
brilliant-white	19.5 mm	35.5 mm	1.5 mm	shrink-wrapped	5 pcs.	4001116216480	4001116216688
brilliant-white	23.5 mm	43.5 mm	1.5 mm	shrink-wrapped	5 pcs.	4001116216503	4001116216701

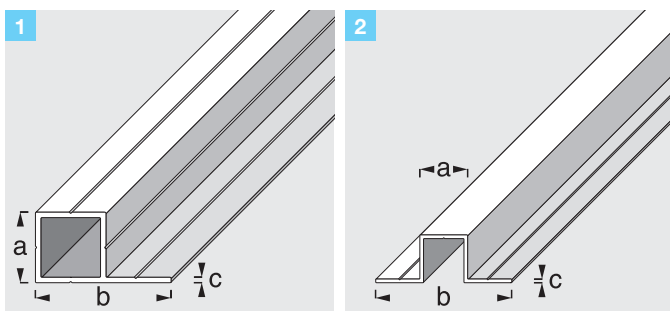
combitech® profiles



System profiles in aluminium

Color	Dim. a	Dim. b	Packaging	Min.OU	Length: 1.00 m	Length: 2.50 m
					EAN / item no.	EAN / item no.
1 Square T						
uncoated	7.5 mm	1.0 mm	loose	5 pcs.	4001116 257223	4001116 257421
uncoated	11.5 mm	1.5 mm	loose	5 pcs.	4001116 257247	4001116 257445
uncoated	15.5 mm	1.5 mm	loose	5 pcs.	4001116 257261	4001116 257469
uncoated	19.5 mm	1.5 mm	loose	5 pcs.	4001116 257285	4001116 257483
2 Flat bars						
uncoated	7.5 mm	1.5 mm	loose	5 pcs.	4001116 258022	4001116 258220
uncoated	11.5 mm	2.0 mm	loose	5 pcs.	4001116 258046	4001116 258244
uncoated	15.5 mm	2.0 mm	loose	5 pcs.	4001116 258060	4001116 258268
uncoated	19.5 mm	2.0 mm	loose	5 pcs.	4001116 258084	4001116 258282
uncoated	23.5 mm	2.0 mm	loose	5 pcs.	4001116 258107	4001116 258305
uncoated	29.5 mm	3.0 mm	loose	5 pcs.	4001116 258121	4001116 258329
uncoated	35.5 mm	3.0 mm	loose	5 pcs.	4001116 258145	4001116 258343
2 Flat bars, powder-coated						
brilliant-white	15.5 mm	2.0 mm	shrink-wrapped	5 pcs.	4001116 218064	4001116 218262
brilliant-white	19.5 mm	2.0 mm	shrink-wrapped	5 pcs.	4001116 218088	4001116 218289
brilliant-white	23.5 mm	2.0 mm	shrink-wrapped	5 pcs.	4001116 218101	4001116 218306

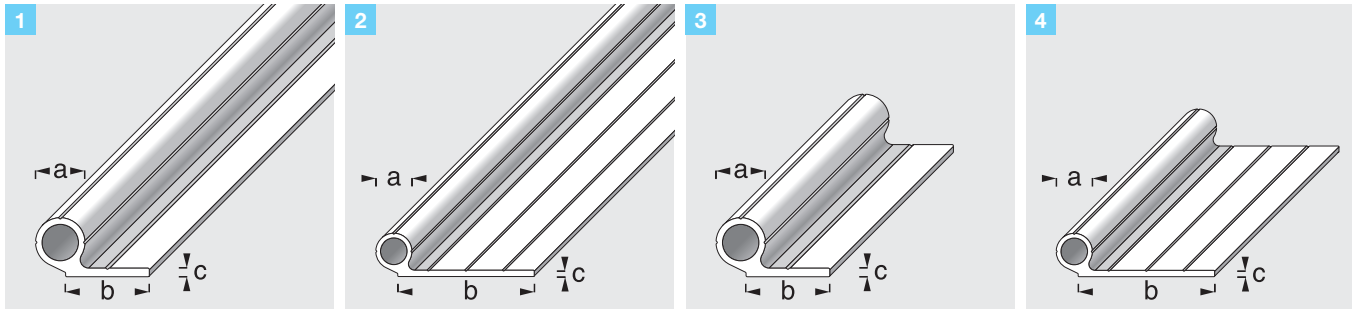
combitech® profiles



System profiles in aluminium

Color	Dim. a	Dim. b	Dim. c	For	Packaging	Min.OU	Length: 1.00 m	Length: 2.50 m
							EAN / item no.	EAN / item no.
1 Square tubes, 1 branch								
uncoated	7.5 mm	14.0 mm	1.0 mm	M 5	loose	5 pcs.	4001116258824	4001116259029
uncoated	11.5 mm	21.5 mm	1.5 mm	M 8	loose	5 pcs.	4001116258848	4001116259043
uncoated	15.5 mm	29.5 mm	1.5 mm	M 12	loose	5 pcs.	4001116258862	4001116259067
uncoated	19.5 mm	37.5 mm	1.5 mm	M 16	loose	5 pcs.	4001116258886	4001116259081
uncoated	23.5 mm	45.5 mm	1.5 mm	M 20	loose	5 pcs.	4001116258909	4001116259104
uncoated	29.5 mm	56.6 mm	2.4 mm	M 24	loose	5 pcs.	4001116258923	4001116259128
uncoated	35.5 mm	68.6 mm	2.4 mm	M 30	loose	5 pcs.	4001116258947	4001116259142
1 Square tubes, 1 branch, anodized								
silver	23.5 mm	45.5 mm	1.5 mm	M 20	shrink-wrapped	5 pcs.	4001116258916	4001116259111
1 Square tubes, 1 branch, powder-coated								
brilliant-white	23.5 mm	45.5 mm	1.5 mm	M 20	shrink-wrapped	5 pcs.	4001116218903	4001116219108
2 Square U, 2 branches 180°								
uncoated	7.5 mm	20.5 mm	1.0 mm		loose	5 pcs.	4001116259623	4001116259821
uncoated	11.5 mm	31.5 mm	1.5 mm		loose	5 pcs.	4001116259647	4001116259845
uncoated	15.5 mm	43.5 mm	1.5 mm		loose	5 pcs.	4001116259661	4001116259869
uncoated	19.5 mm	55.5 mm	1.5 mm		loose	5 pcs.	4001116259685	4001116259883
uncoated	23.5 mm	67.5 mm	1.5 mm		loose	5 pcs.	4001116259708	4001116259906
uncoated	29.5 mm	83.7 mm	2.4 mm		loose	5 pcs.	4001116259722	4001116259920
uncoated	35.5 mm	101.7 mm	2.4 mm		loose	5 pcs.	4001116259746	4001116259944

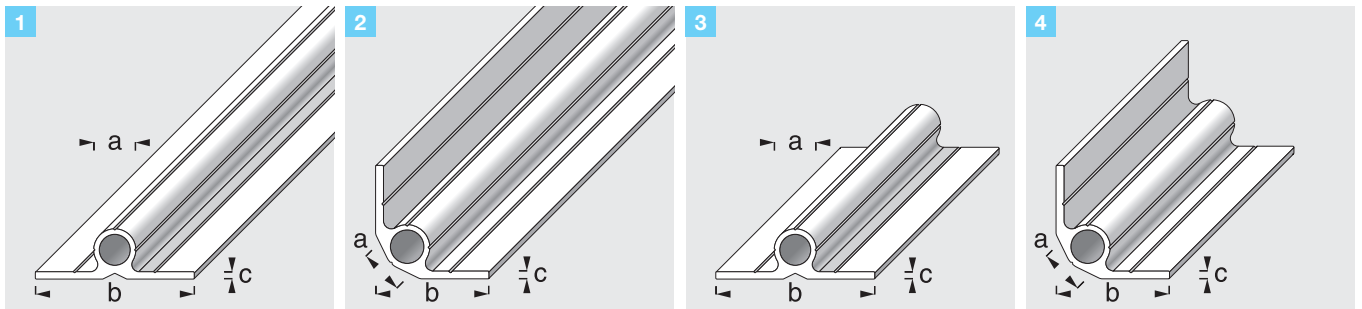
combitech® profiles



System profiles in aluminium

Length	Color	Dim. a	Dim. b	Dim. c	For	Packaging	Min.OU	EAN / item no.
1 Tubes, 1 short branch								
1.00 m	uncoated	7.5 mm	12.5 mm	1.5 mm	M 5	loose	5 pcs.	4001116260629
1.00 m	uncoated	11.5 mm	19.5 mm	2.0 mm	M 8	loose	5 pcs.	4001116260643
1.00 m	uncoated	15.5 mm	27.5 mm	2.5 mm	M 12	loose	5 pcs.	4001116260667
1.00 m	uncoated	19.5 mm	35.5 mm	3.0 mm	M 16	loose	5 pcs.	4001116260681
2 Tubes, 1 long branch								
1.00 m	uncoated	11.5 mm	43.5 mm	2.0 mm	M 8	loose	5 pcs.	4001116261442
1.00 m	uncoated	19.5 mm	65.6 mm	3.0 mm	M 16	loose	5 pcs.	4001116261480
3 Tubes, 1 short branch, vibratory finishing								
19.5 mm	vibratory finishing	7.5 mm	12.5 mm	1.5 mm	M 5	SS bag containing 2 pcs.	5 pcs.	4001116260421
27.5 mm	vibratory finishing	11.5 mm	19.5 mm	2.0 mm	M 8	SS bag containing 2 pcs.	5 pcs.	4001116260445
35.5 mm	vibratory finishing	15.5 mm	27.5 mm	2.5 mm	M 12	SS bag containing 2 pcs.	5 pcs.	4001116260469
43.5 mm	vibratory finishing	19.5 mm	35.5 mm	3.0 mm	M 16	SS bag containing 2 pcs.	5 pcs.	4001116260483
4 Tubes, 1 long branch, vibratory finishing								
27.5 mm	vibratory finishing	11.5 mm	43.5 mm	2.0 mm	M 8	SS bag containing 2 pcs.	5 pcs.	4001116261244
43.5 mm	vibratory finishing	19.5 mm	65.6 mm	3.0 mm	M 16	SS bag containing 2 pcs.	5 pcs.	4001116261282

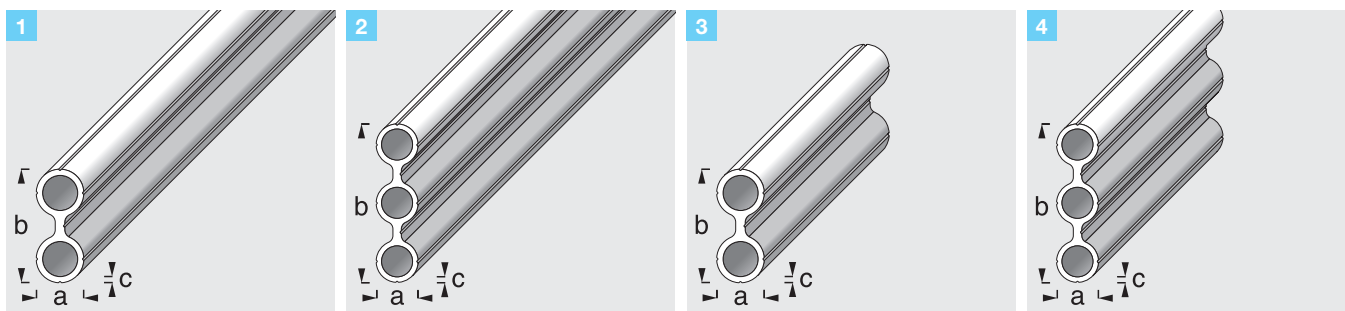
combitech® profiles



System profiles in aluminium

Length	Color	Dim. a	Dim. b	Dim. c	For	Packaging	Min.OU	EAN / item no.
1 Tubes, 2 branches 180°								
1.00 m	uncoated	11.5 mm	43.5 mm	2.0 mm	M 8	loose	5 pcs.	4001116 26224 1
1.00 m	uncoated	19.5 mm	65.5 mm	3.0 mm	M 16	loose	5 pcs.	4001116 26228 9
2 Tubes, 2 branches 90°								
1.00 m	uncoated	11.5 mm	28.8 mm	2.0 mm	M 8	loose	5 pcs.	4001116 26304 0
1.00 m	uncoated	19.5 mm	51.8 mm	3.0 mm	M 16	loose	5 pcs.	4001116 26308 8
3 Tubes, 2 branches 180°, vibratory finishing								
27.5 mm	vibratory finishing	11.5 mm	43.5 mm	2.0 mm	M 8	SS bag containing 2 pcs.	5 pcs.	4001116 26204 3
43.5 mm	vibratory finishing	19.5 mm	65.5 mm	3.0 mm	M 16	SS bag containing 1 pc.	5 pcs.	4001116 26208 1
4 Tubes, 2 branches 90°, vibratory finishing								
27.5 mm	vibratory finishing	11.5 mm	28.8 mm	2.0 mm	M 8	SS bag containing 2 pcs.	5 pcs.	4001116 26284 5
43.5 mm	vibratory finishing	19.5 mm	51.8 mm	3.0 mm	M 16	SS bag containing 1 pc.	5 pcs.	4001116 26288 3

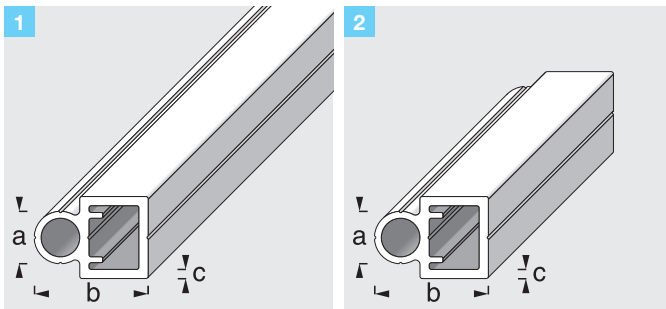
combitech® profiles



System profiles in aluminium

Length	Color	Dim. a	Dim. b	Dim. c	For	Packaging	Min.OU	EAN / item no.
1 Double tubes								
1.00 m	uncoated	11.5 mm	27.5 mm	1.5 mm	M 8	loose	5 pcs.	400111626384 2
1.00 m	uncoated	19.5 mm	49.5 mm	1.5 mm	M 16	loose	5 pcs.	400111626388 0
2 Triple tubes								
1.00 m	uncoated	11.5 mm	43.5 mm	1.5 mm	M 8	loose	5 pcs.	400111626464 1
3 Double tubes, vibratory finishing								
27.5 mm	vibratory finishing	11.5 mm	27.5 mm	1.5 mm	M 8	SS bag containing 2 pcs.	5 pcs.	400111626364 4
47.5 mm	vibratory finishing	19.5 mm	49.5 mm	1.5 mm	M 16	SS bag containing 1 pc.	5 pcs.	400111626368 2
4 Triple tubes, vibratory finishing								
27.5 mm	vibratory finishing	11.5 mm	43.5 mm	1.5 mm	M 8	SS bag containing 2 pcs.	5 pcs.	400111626444 3

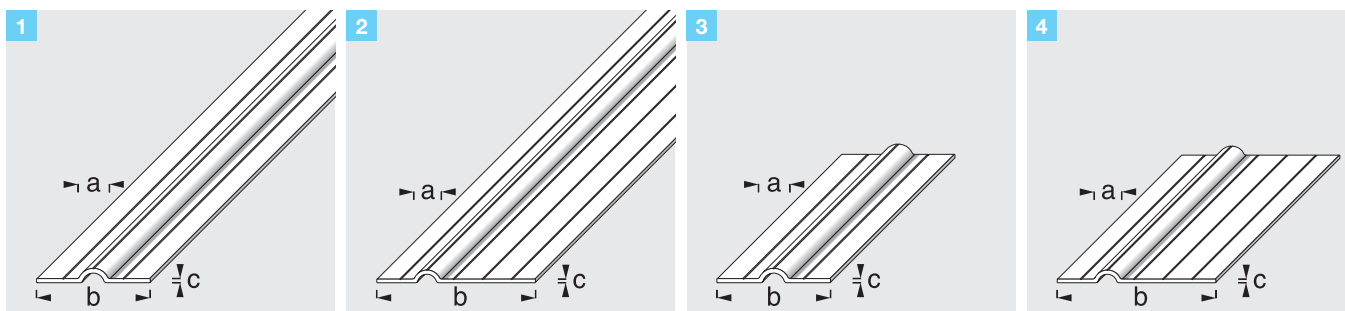
combitech® profiles



System profiles in aluminium

Length	Color	Dim. a	Dim. b	Dim. c	For	Packaging	Min.OU	EAN / item no.
1 Tube-tube 90°								
1.00 m	uncoated	11.5 mm	25.0 mm	1.5 mm	M 8	loose	5 pcs.	4001116 265440
2 Tube-tube 90°, vibratory finishing								
27.5 mm	vibratory finishing	11.5 mm	25.0 mm	1.5 mm	M 8	SS bag containing 2 pcs.	5 pcs.	4001116 265242

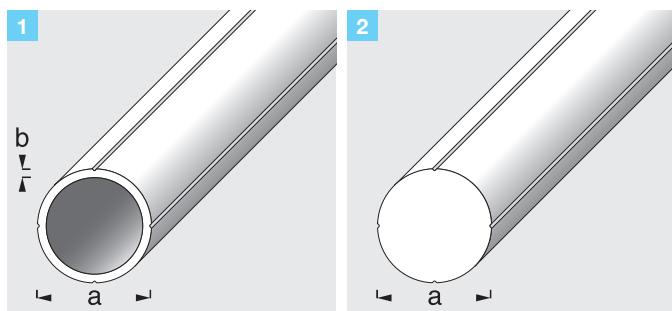
combitech® profiles



System profiles in aluminium

Length	Color	Dim. a	Dim. b	Dim. c	For	Packaging	Min.OU	EAN / item no.
1 Short tube sleeve								
1.00 m	uncoated	11.5 mm	41.5 mm	1.5 mm	M 8	loose	5 pcs.	400111626624 9
1.00 m	uncoated	19.5 mm	73.5 mm	1.5 mm	M 16	loose	5 pcs.	400111626628 7
2 Long tube sleeve								
1.00 m	uncoated	11.5 mm	65.5 mm	1.5 mm	M 8	loose	5 pcs.	400111626704 8
1.00 m	uncoated	19.5 mm	103.6 mm	1.5 mm	M 16	loose	5 pcs.	400111626708 6
3 Short tube sleeve, vibratory finishing								
27.5 mm	vibratory finishing	11.5 mm	41.5 mm	1.5 mm	M 8	SS bag containing 2 pcs.	5 pcs.	400111626604 1
43.5 mm	vibratory finishing	19.5 mm	73.5 mm	1.5 mm	M 16	SS bag containing 2 pcs.	5 pcs.	400111626608 9
4 Long tube sleeve, vibratory finishing								
27.5 mm	vibratory finishing	11.5 mm	65.5 mm	1.5 mm	M 8	SS bag containing 2 pcs.	5 pcs.	400111626684 3
43.5 mm	vibratory finishing	19.5 mm	103.6 mm	1.5 mm	M 16	SS bag containing 2 pcs.	5 pcs.	400111626688 1

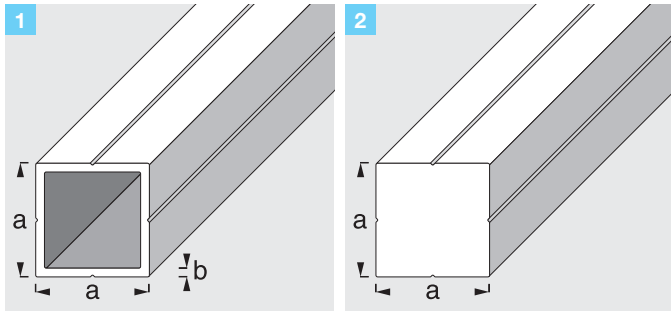
combitech® profiles



System profiles in plastic (hard PVC)

Color	Dim. a	Dim. b	For	Packaging	Min.OU	Length: 1.00 m	Length: 2.50 m
						EAN / item no.	EAN / item no.
1 Round tubes							
white	7.5 mm	1.0 mm	M 5	loose	5 pcs.	4001116210426	4001116210624
white	11.5 mm	1.5 mm	M 8	loose	5 pcs.	4001116210440	4001116210648
white	15.5 mm	1.5 mm	M 12	loose	5 pcs.	4001116210464	4001116210662
white	19.5 mm	1.5 mm	M 16	loose	5 pcs.	4001116210488	4001116210686
white	23.5 mm	1.5 mm	M 20	loose	5 pcs.	4001116210501	4001116210709
white	29.5 mm	2.4 mm	M 24	loose	5 pcs.	4001116210525	4001116210723
white	35.5 mm	2.4 mm	M 30	loose	5 pcs.	4001116210549	4001116210747
gray	7.5 mm	1.0 mm	M 5	loose	5 pcs.	4001116250422	4001116250620
gray	11.5 mm	1.5 mm	M 8	loose	5 pcs.	4001116250446	4001116250644
gray	15.5 mm	1.5 mm	M 12	loose	5 pcs.	4001116250460	4001116250668
gray	19.5 mm	1.5 mm	M 16	loose	5 pcs.	4001116250484	4001116250682
gray	23.5 mm	1.5 mm	M 20	loose	5 pcs.	4001116250507	4001116250705
gray	29.5 mm	2.4 mm	M 24	loose	5 pcs.	4001116250521	4001116250729
gray	35.5 mm	2.4 mm	M 30	loose	5 pcs.	4001116250545	4001116250743
2 Round bars							
white	7.5 mm			loose	5 pcs.	4001116211225	4001116211423
white	11.5 mm			loose	5 pcs.	4001116211249	4001116211447
white	15.5 mm			loose	5 pcs.	4001116211263	4001116211461
white	19.5 mm			loose	5 pcs.	4001116211287	4001116211485
gray	7.5 mm			loose	5 pcs.	4001116251221	4001116251429
gray	11.5 mm			loose	5 pcs.	4001116251245	4001116251443
gray	15.5 mm			loose	5 pcs.	4001116251269	4001116251467
gray	19.5 mm			loose	5 pcs.	4001116251283	4001116251481

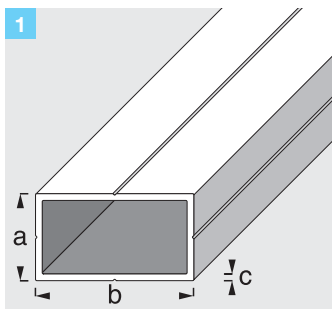
combitech® profiles



System profiles in plastic (hard PVC)

Color	Dim. a	Dim. b	For	Packaging	Min.OU	Length: 1.00 m	Length: 2.50 m
						EAN / item no.	EAN / item no.
1 Square tubes							
white	7.5 mm	1.0 mm	M 5	loose	5 pcs.	4001116 212024	4001116 212222
white	11.5 mm	1.5 mm	M 8	loose	5 pcs.	4001116 212048	4001116 212246
white	15.5 mm	1.5 mm	M 12	loose	5 pcs.	4001116 212062	4001116 212260
white	19.5 mm	1.5 mm	M 16	loose	5 pcs.	4001116 212086	4001116 212284
white	23.5 mm	1.5 mm	M 20	loose	5 pcs.	4001116 212109	4001116 212307
white	29.5 mm	2.4 mm	M 24	loose	5 pcs.	4001116 212123	4001116 212321
white	35.5 mm	2.4 mm	M 30	loose	5 pcs.	4001116 212147	4001116 212345
gray	7.5 mm	1.0 mm	M 5	loose	5 pcs.	4001116 252020	4001116 252228
gray	11.5 mm	1.5 mm	M 8	loose	5 pcs.	4001116 252044	4001116 252242
gray	15.5 mm	1.5 mm	M 12	loose	5 pcs.	4001116 252068	4001116 252266
gray	19.5 mm	1.5 mm	M 16	loose	5 pcs.	4001116 252082	4001116 252280
gray	23.5 mm	1.5 mm	M 20	loose	5 pcs.	4001116 252105	4001116 252303
gray	29.5 mm	2.4 mm	M 24	loose	5 pcs.	4001116 252129	4001116 252327
gray	35.5 mm	2.4 mm	M 30	loose	5 pcs.	4001116 252143	4001116 252341
2 Square rods							
white	7.5 mm			loose	5 pcs.	4001116 212826	4001116 213021
white	11.5 mm			loose	5 pcs.	4001116 212840	4001116 213045
white	15.5 mm			loose	5 pcs.	4001116 212864	4001116 213069
white	19.5 mm			loose	5 pcs.	4001116 212888	4001116 213083
gray	7.5 mm			loose	5 pcs.	4001116 252822	4001116 253027
gray	11.5 mm			loose	5 pcs.	4001116 252846	4001116 253041
gray	15.5 mm			loose	5 pcs.	4001116 252860	4001116 253065
gray	19.5 mm			loose	5 pcs.	4001116 252884	4001116 253089

combitech® profiles

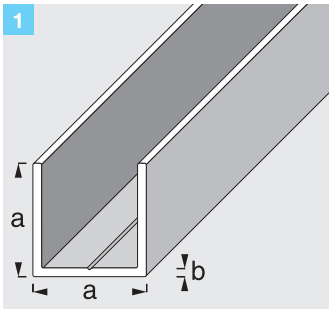


System profiles in plastic (hard PVC)

Color	Dim. a	Dim. b	Dim. c	For	Packaging	Min.OU	Length: 1.00 m	Length: 2.50 m
							EAN / item no.	EAN / item no.
1 Rectangular tubes								
white	7.5 mm	12.5 mm	1.0 mm	M 5	loose	5 pcs.	4001116213625	4001116213823
white	11.5 mm	19.5 mm	1.5 mm	M 8	loose	5 pcs.	4001116213649	4001116213847
white	15.5 mm	27.5 mm	1.5 mm	M 12	loose	5 pcs.	4001116213663	4001116213861
white	19.5 mm	35.5 mm	1.5 mm	M 16	loose	5 pcs.	4001116213687	4001116213885
white	23.5 mm	43.5 mm	1.5 mm	M 20	loose	5 pcs.	4001116213700	4001116213908
white	29.5 mm	53.6 mm	2.4 mm	M 24	loose	5 pcs.	4001116213724	4001116213922
white	35.5 mm	65.6 mm	2.4 mm	M 30	loose	5 pcs.	4001116213748	4001116213946
gray	7.5 mm	12.5 mm	1.0 mm	M 5	loose	5 pcs.	4001116253621	4001116253829
gray	11.5 mm	19.5 mm	1.5 mm	M 8	loose	5 pcs.	4001116253645	4001116253843
gray	15.5 mm	27.5 mm	1.5 mm	M 12	loose	5 pcs.	4001116253669	4001116253867
gray	19.5 mm	35.5 mm	1.5 mm	M 16	loose	5 pcs.	4001116253683	4001116253881
gray	23.5 mm	43.5 mm	1.5 mm	M 20	loose	5 pcs.	4001116253706	4001116253904
gray	29.5 mm	53.6 mm	2.4 mm	M 24	loose	5 pcs.	4001116253720	4001116253928
gray	35.5 mm	65.6 mm	2.4 mm	M 30	loose	5 pcs.	4001116253744	4001116253942

Hardware catalogue - 99005 024 - 71708 - 0705

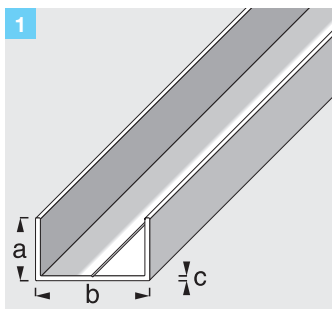
combitech® profiles



System profiles in plastic (hard PVC)

Color	Dim. a	Dim. b	Packaging	Min.OU	Length: 1.00 m	Length: 2.50 m
					EAN / item no.	EAN / item no.
1 Square U						
white	7.5 mm	1.0 mm	loose	5 pcs.	4001116 214424	4001116 214622
white	11.5 mm	1.5 mm	loose	5 pcs.	4001116 214448	4001116 214646
white	15.5 mm	1.5 mm	loose	5 pcs.	4001116 214462	4001116 214660
white	19.5 mm	1.5 mm	loose	5 pcs.	4001116 214486	4001116 214684
white	23.5 mm	1.5 mm	loose	5 pcs.	4001116 214509	4001116 214707
white	29.5 mm	2.4 mm	loose	5 pcs.	4001116 214523	4001116 214721
white	35.5 mm	2.4 mm	loose	5 pcs.	4001116 214547	4001116 214745
gray	7.5 mm	1.0 mm	loose	5 pcs.	4001116 254420	4001116 254628
gray	11.5 mm	1.5 mm	loose	5 pcs.	4001116 254444	4001116 254642
gray	15.5 mm	1.5 mm	loose	5 pcs.	4001116 254468	4001116 254666
gray	19.5 mm	1.5 mm	loose	5 pcs.	4001116 254482	4001116 254680
gray	23.5 mm	1.5 mm	loose	5 pcs.	4001116 254505	4001116 254703
gray	29.5 mm	2.4 mm	loose	5 pcs.	4001116 254529	4001116 254727
gray	35.5 mm	2.4 mm	loose	5 pcs.	4001116 254543	4001116 254741

combitech® profiles

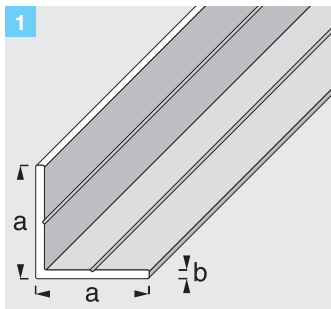


System profiles in plastic (hard PVC)

Color	Dim. a	Dim. b	Dim. c	Packaging	Min.OU	Length: 1.00 m	Length: 2.50 m
						EAN / item no.	EAN / item no.
1 Rectangular U							
white	7.5 mm	12.5 mm	1.0 mm	loose	5 pcs.	4001116215223	4001116215421
white	11.5 mm	19.5 mm	1.5 mm	loose	5 pcs.	4001116215247	4001116215445
white	15.5 mm	27.5 mm	1.5 mm	loose	5 pcs.	4001116215261	4001116215469
white	19.5 mm	35.5 mm	1.5 mm	loose	5 pcs.	4001116215285	4001116215483
white	23.5 mm	43.5 mm	1.5 mm	loose	5 pcs.	4001116215308	4001116215506
white	29.5 mm	53.6 mm	2.4 mm	loose	5 pcs.	4001116215322	4001116215520
white	35.5 mm	65.6 mm	2.4 mm	loose	5 pcs.	4001116215346	4001116215544
gray	7.5 mm	12.5 mm	1.0 mm	loose	5 pcs.	4001116255229	4001116255427
gray	11.5 mm	19.5 mm	1.5 mm	loose	5 pcs.	4001116255243	4001116255441
gray	15.5 mm	27.5 mm	1.5 mm	loose	5 pcs.	4001116255267	4001116255465
gray	19.5 mm	35.5 mm	1.5 mm	loose	5 pcs.	4001116255281	4001116255489
gray	23.5 mm	43.5 mm	1.5 mm	loose	5 pcs.	4001116255304	4001116255502
gray	29.5 mm	53.6 mm	2.4 mm	loose	5 pcs.	4001116255328	4001116255526
gray	35.5 mm	65.6 mm	2.4 mm	loose	5 pcs.	4001116255342	4001116255540

Hardware catalogue - 99005 024 - 71708 - 0705

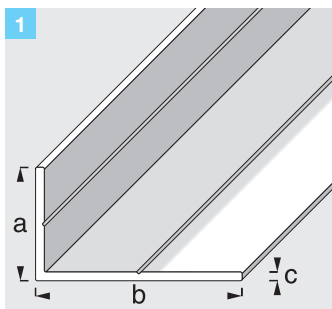
combitech® profiles



System profiles in plastic (hard PVC)

Color	Dim. a	Dim. b	Packaging	Min.OU	Length: 1.00 m	Length: 2.50 m
					EAN / item no.	EAN / item no.
1 Angle, equal-sided						
white	7.5 mm	1.0 mm	loose	5 pcs.	4001116216022	4001116216220
white	11.5 mm	1.5 mm	loose	5 pcs.	4001116216046	4001116216244
white	15.5 mm	1.5 mm	loose	5 pcs.	4001116216060	4001116216268
white	19.5 mm	1.5 mm	loose	5 pcs.	4001116216084	4001116216282
white	23.5 mm	1.5 mm	loose	5 pcs.	4001116216107	4001116216305
white	29.5 mm	2.4 mm	loose	5 pcs.	4001116216121	4001116216329
white	35.5 mm	2.4 mm	loose	5 pcs.	4001116216145	4001116216343
gray	7.5 mm	1.0 mm	loose	5 pcs.	4001116256028	4001116256226
gray	11.5 mm	1.5 mm	loose	5 pcs.	4001116256042	4001116256240
gray	15.5 mm	1.5 mm	loose	5 pcs.	4001116256066	4001116256264
gray	19.5 mm	1.5 mm	loose	5 pcs.	4001116256080	4001116256288
gray	23.5 mm	1.5 mm	loose	5 pcs.	4001116256103	4001116256301
gray	29.5 mm	2.4 mm	loose	5 pcs.	4001116256127	4001116256325
gray	35.5 mm	2.4 mm	loose	5 pcs.	4001116256141	4001116256349

combitech® profiles

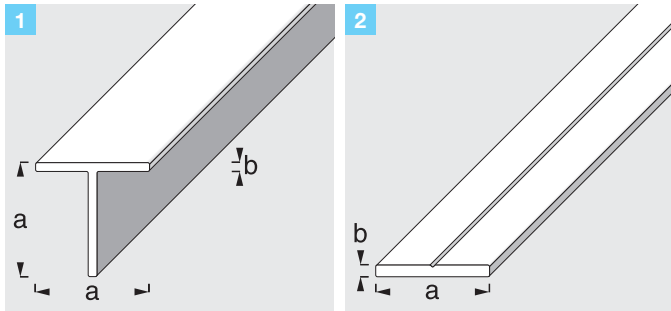


System profiles in plastic (hard PVC)

Color	Dim. a	Dim. b	Dim. c	Packaging	Min.OU	Length: 1.00 m	Length: 2.50 m
						EAN / item no.	EAN / item no.
1 Angle, unequal-sided							
white	7.5 mm	12.5 mm	1.0 mm	loose	5 pcs.	4001116216824	4001116217029
white	11.5 mm	19.5 mm	1.5 mm	loose	5 pcs.	4001116216848	4001116217043
white	15.5 mm	27.5 mm	1.5 mm	loose	5 pcs.	4001116216862	4001116217067
white	19.5 mm	35.5 mm	1.5 mm	loose	5 pcs.	4001116216886	4001116217081
white	23.5 mm	43.5 mm	1.5 mm	loose	5 pcs.	4001116216909	4001116217104
white	29.5 mm	53.6 mm	2.4 mm	loose	5 pcs.	4001116216923	4001116217128
white	35.5 mm	65.6 mm	2.4 mm	loose	5 pcs.	4001116216947	4001116217142
gray	7.5 mm	12.5 mm	1.0 mm	loose	5 pcs.	4001116256820	4001116257025
gray	11.5 mm	19.5 mm	1.5 mm	loose	5 pcs.	4001116256844	4001116257049
gray	15.5 mm	27.5 mm	1.5 mm	loose	5 pcs.	4001116256868	4001116257063
gray	19.5 mm	35.5 mm	1.5 mm	loose	5 pcs.	4001116256882	4001116257087
gray	23.5 mm	43.5 mm	1.5 mm	loose	5 pcs.	4001116256905	4001116257100
gray	29.5 mm	53.6 mm	2.4 mm	loose	5 pcs.	4001116256929	4001116257124
gray	35.5 mm	65.6 mm	2.4 mm	loose	5 pcs.	4001116256943	4001116257148

Hardware catalogue - 99005 024 - 71708 - 0705

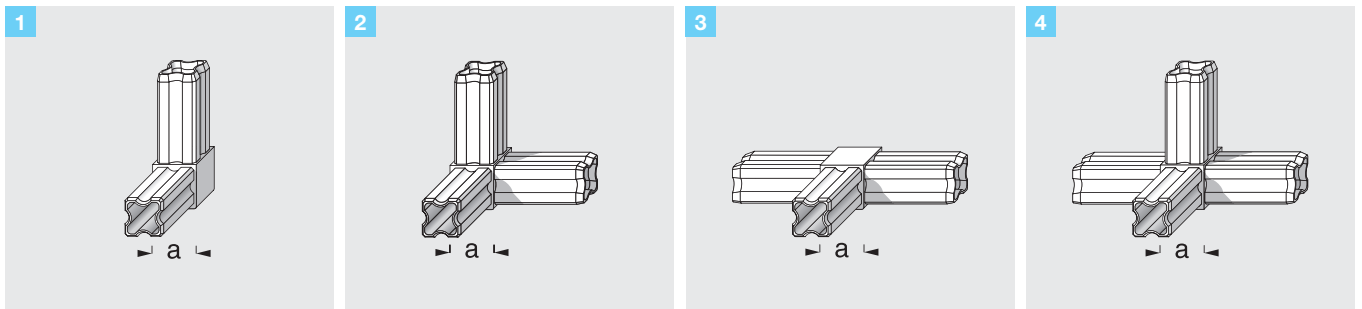
combitech® profiles



System profiles in plastic (hard PVC)

Color	Dim. a	Dim. b	Packaging	Min.OU	Length: 1.00 m	Length: 2.50 m
					EAN / item no.	EAN / item no.
1 Square T						
white	7.5 mm	1.0 mm	loose	5 pcs.	4001116217623	4001116217821
white	11.5 mm	1.5 mm	loose	5 pcs.	4001116217647	4001116217845
white	15.5 mm	1.5 mm	loose	5 pcs.	4001116217661	4001116217869
white	19.5 mm	1.5 mm	loose	5 pcs.	4001116217685	4001116217883
gray	7.5 mm	1.0 mm	loose	5 pcs.	4001116257629	4001116257827
gray	11.5 mm	1.5 mm	loose	5 pcs.	4001116257643	4001116257841
gray	15.5 mm	1.5 mm	loose	5 pcs.	4001116257667	4001116257865
gray	19.5 mm	1.5 mm	loose	5 pcs.	4001116257681	4001116257889
2 Flat bars						
white	7.5 mm	1.5 mm	loose	5 pcs.	4001116218422	4001116218620
white	11.5 mm	2.0 mm	loose	5 pcs.	4001116218446	4001116218644
white	15.5 mm	2.0 mm	loose	5 pcs.	4001116218460	4001116218668
white	19.5 mm	2.0 mm	loose	5 pcs.	4001116218484	4001116218682
white	23.5 mm	2.0 mm	loose	5 pcs.	4001116218507	4001116218705
white	29.5 mm	3.0 mm	loose	5 pcs.	4001116218521	4001116218729
white	35.5 mm	3.0 mm	loose	5 pcs.	4001116218545	4001116218743
gray	7.5 mm	1.5 mm	loose	5 pcs.	4001116258428	4001116258626
gray	11.5 mm	2.0 mm	loose	5 pcs.	4001116258442	4001116258640
gray	15.5 mm	2.0 mm	loose	5 pcs.	4001116258466	4001116258664
gray	19.5 mm	2.0 mm	loose	5 pcs.	4001116258480	4001116258688
gray	23.5 mm	2.0 mm	loose	5 pcs.	4001116258503	4001116258701
gray	29.5 mm	3.0 mm	loose	5 pcs.	4001116258527	4001116258725
gray	35.5 mm	3.0 mm	loose	5 pcs.	4001116258541	4001116258749

combitech® profiles

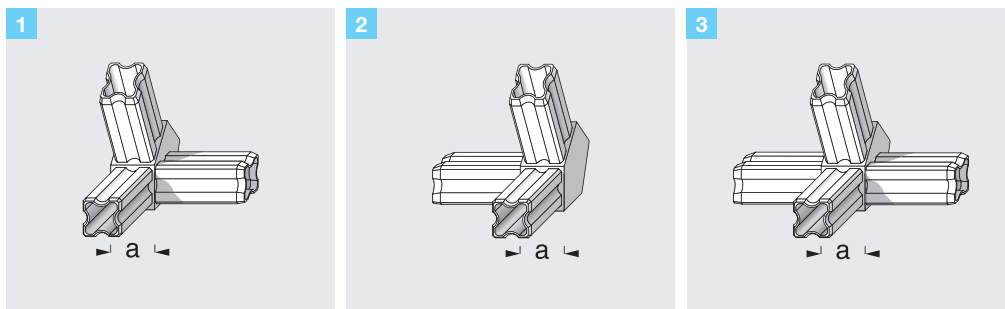


Connector 'connect' in plastic (PA)

Color	Dim. a	For	Packaging	Min.OU	EAN / item no.
1 90° Square connector					
black	23.5 mm	M 20	loose	5 pcs.	4001116285042
gray	23.5 mm	M 20	loose	5 pcs.	4001116285141
white	23.5 mm	M 20	loose	5 pcs.	4001116285240
blue	23.5 mm	M 20	loose	5 pcs.	4001116285349
2 90° Edge connector					
black	23.5 mm	M 20	loose	5 pcs.	4001116285844
gray	23.5 mm	M 20	loose	5 pcs.	4001116285943
white	23.5 mm	M 20	loose	5 pcs.	4001116286049
blue	23.5 mm	M 20	loose	5 pcs.	4001116286148
3 90° T connector					
black	23.5 mm	M 20	loose	5 pcs.	4001116285448
gray	23.5 mm	M 20	loose	5 pcs.	4001116285547
white	23.5 mm	M 20	loose	5 pcs.	4001116285646
blue	23.5 mm	M 20	loose	5 pcs.	4001116285745
4 90° Nodal connector					
black	23.5 mm	M 20	loose	5 pcs.	4001116286247
gray	23.5 mm	M 20	loose	5 pcs.	4001116286346
white	23.5 mm	M 20	loose	5 pcs.	4001116286445
blue	23.5 mm	M 20	loose	5 pcs.	4001116286544

Hardware catalogue - 99005 024 - 71708 - 0705

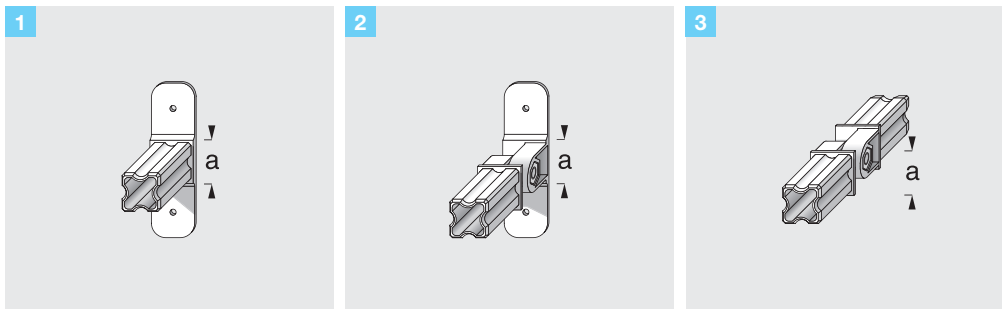
combitech® profiles



Connector 'connect' in plastic (PA)

Color	Dim. a	For	Packaging	Min.OU	EAN / item no.
1 45° 3-D T connector, left					
black	23.5 mm	M 20	loose	5 pcs.	4001116 285059
gray	23.5 mm	M 20	loose	5 pcs.	4001116 285158
white	23.5 mm	M 20	loose	5 pcs.	4001116 285257
blue	23.5 mm	M 20	loose	5 pcs.	4001116 285356
2 45° 3-D T connector, right					
black	23.5 mm	M 20	loose	5 pcs.	4001116 285455
gray	23.5 mm	M 20	loose	5 pcs.	4001116 285554
white	23.5 mm	M 20	loose	5 pcs.	4001116 285653
blue	23.5 mm	M 20	loose	5 pcs.	4001116 285752
3 45° Nodal connector					
black	23.5 mm	M 20	loose	5 pcs.	4001116 285851
gray	23.5 mm	M 20	loose	5 pcs.	4001116 285950
white	23.5 mm	M 20	loose	5 pcs.	4001116 286056
blue	23.5 mm	M 20	loose	5 pcs.	4001116 286155

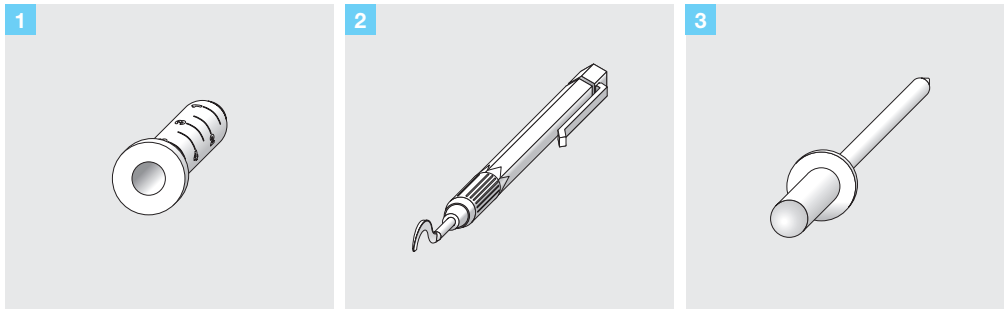
combitech® profiles



Connector 'connect' in plastic (PA)

Color	Dim. a	For	Packaging	Min.OU	EAN / item no.
1 Flange connector					
black	23.5 mm	M 20	loose	5 pcs.	4001116285066
gray	23.5 mm	M 20	loose	5 pcs.	4001116285165
white	23.5 mm	M 20	loose	5 pcs.	4001116285264
blue	23.5 mm	M 20	loose	5 pcs.	4001116285363
2 Articulated flange connector					
black	23.5 mm	M 20	loose	5 pcs.	4001116285462
gray	23.5 mm	M 20	loose	5 pcs.	4001116285561
white	23.5 mm	M 20	loose	5 pcs.	4001116285660
blue	23.5 mm	M 20	loose	5 pcs.	4001116285769
3 Articulated connector					
black	23.5 mm	M 20	loose	5 pcs.	4001116286254
gray	23.5 mm	M 20	loose	5 pcs.	4001116286353
white	23.5 mm	M 20	loose	5 pcs.	4001116286452
blue	23.5 mm	M 20	loose	5 pcs.	4001116286551

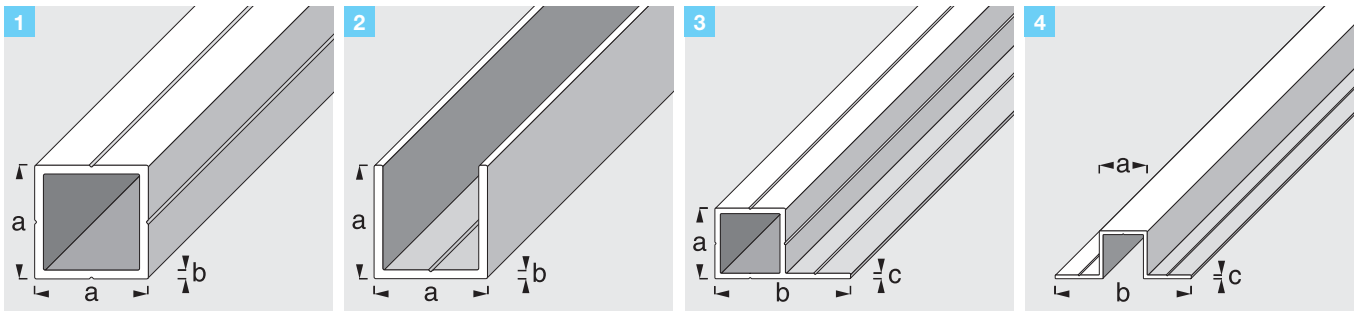
combitech® profiles



Connector 'connect' accessories

Color	For	Packaging	Min.OU	EAN / item no.
1 Adapter sleeves				
red	connector 'connect' 23,5 mm	SS bag containing 10 pcs.	5 pcs.	4001116 28660 5
2 Deburrer				
blue		SS bag containing 1 pc.	5 pcs.	4001116 28661 2
3 Blind rivets 5 mm x 10 mm				
silver		SS bag containing 20 pcs.	5 pcs.	4001116 28662 9

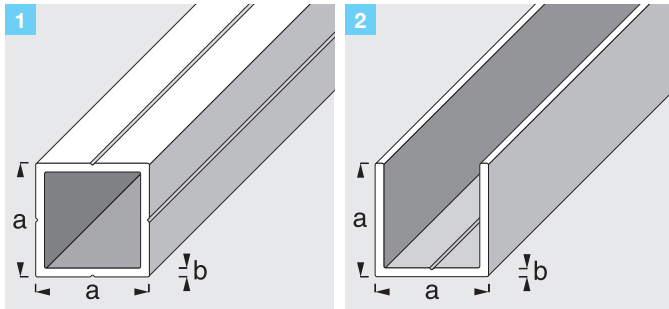
combitech® profiles



Connector 'connect' system profiles in aluminium

Color	Dim. a	Dim. b	Dim. c	For	Packaging	Min.OU	Length: 0.30 m	Length: 1.00 m	Length: 2.50 m
							EAN / item no.	EAN / item no.	EAN / item no.
1 Square tubes									
uncoated	23.5 mm	1.5 mm		M 20	loose	5 pcs.	4001116284007	4001116251702	4001116251900
1 Square tubes, anodized									
silver	23.5 mm	1.5 mm		M 20	shrink-wrapped	5 pcs.	4001116284014	4001116251719	4001116251917
1 Square tubes, powder-coated									
brilliant-white	23.5 mm	1.5 mm		M 20	shrink-wrapped	5 pcs.	4001116284021	4001116211706	4001116211904
2 Square U									
uncoated	23.5 mm	1.5 mm		M 20	loose	5 pcs.		4001116254109	4001116254307
2 Square U, anodized									
silver	23.5 mm	1.5 mm		M 20	shrink-wrapped	5 pcs.		4001116254116	4001116254314
2 Square U, powder-coated									
brilliant-white	23.5 mm	1.5 mm		M 20	shrink-wrapped	5 pcs.		4001116214103	4001116214301
3 Square tubes, 1 branch									
uncoated	23.5 mm	45.5 mm	1.5 mm	M 20	loose	5 pcs.		4001116258909	4001116259104
3 Square tubes, 1 branch, anodized									
silver	23.5 mm	45.5 mm	1.5 mm	M 20	shrink-wrapped	5 pcs.		4001116258916	4001116259111
3 Square tubes, 1 branch, powder-coated									
brilliant-white	23.5 mm	45.5 mm	1.5 mm	M 20	shrink-wrapped	5 pcs.		4001116218903	4001116219108
4 Square U, 2 branches 180°									
uncoated	23.5 mm	45.5 mm	1.5 mm	M 20	loose	5 pcs.		4001116259708	4001116259906

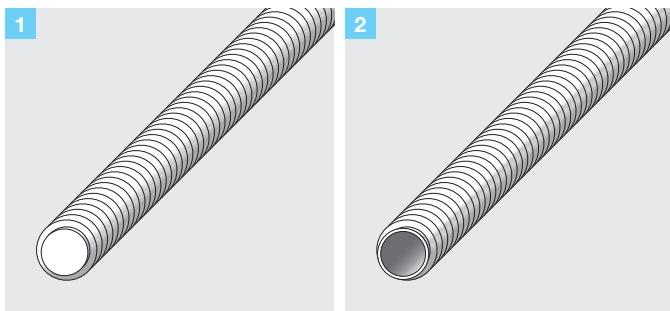
combitech® profiles



Connector 'connect' system profiles in plastic (hard-PVC)

Color	Dim.a	Dim.b	For	Packaging	Min.OU	Length: 0.30 m	Length: 1.00 m	Length: 2.50 m
						EAN / item no.	EAN / item no.	EAN / item no.
1 Square tubes								
white	23.5 mm	1.5 mm	M 20	loose	5 pcs.	4001116 284052	4001116 212109	4001116 212307
gray	23.5 mm	1.5 mm	M 20	loose	5 pcs.	4001116 284069	4001116 252105	4001116 252303
2 Square U								
white	23.5 mm	1.5 mm	M 20	loose	5 pcs.		4001116 214509	4001116 214707
gray	23.5 mm	1.5 mm	M 20	loose	5 pcs.		4001116 254505	4001116 254703

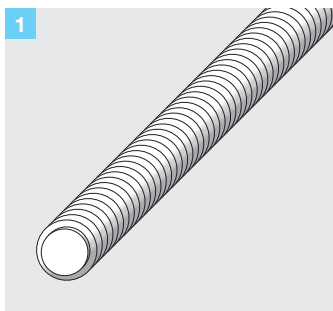
combitech® profiles



System accessories

Material	Dim.	Packaging	Min.OU	Length: 1.00 m	Length: 2.00 m
				EAN / item no.	EAN / item no.
1 Metric threaded rods, DIN 976-1, property class 4.6					
galvanized steel	M 3	loose	5 pcs.	4001116300004	
galvanized steel	M 4	loose	5 pcs.	4001116300011	
galvanized steel	M 5	loose	5 pcs.	4001116300028	
galvanized steel	M 6	loose	5 pcs.	4001116300035	
galvanized steel	M 7	loose	5 pcs.	4001116307072	
galvanized steel	M 8	loose	5 pcs.	4001116300042	4001116300141
galvanized steel	M 10	loose	5 pcs.	4001116300059	4001116300158
galvanized steel	M 12	loose	5 pcs.	4001116300066	4001116300165
galvanized steel	M 14	loose	5 pcs.	4001116300073	
galvanized steel	M 16	loose	5 pcs.	4001116300080	4001116300189
galvanized steel	M 18	loose	5 pcs.	4001116307188	
galvanized steel	M 20	loose	5 pcs.	4001116300097	4001116300196
2 Metric threaded pipe					
galvanized steel	M 10 x 1,0 mm	loose	5 pcs.	4001116348013	

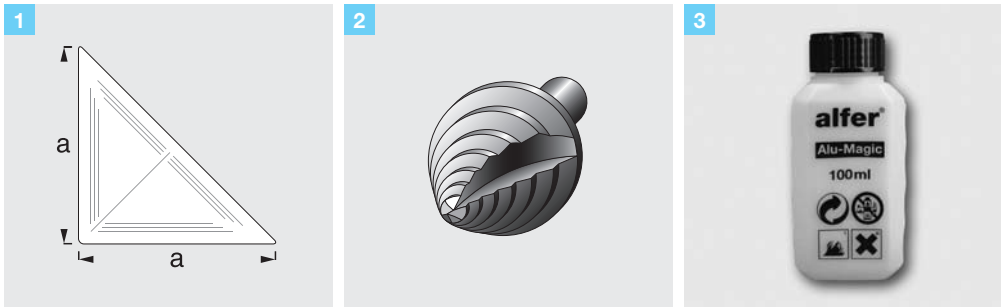
combitech® profiles



System accessories

				Length: 1.00 m
Material	Dim.	Packaging	Min.OU	EAN / item no.
1 Metric threaded rods, DIN 976-1, property class V2A-70				
stainless steel V2A	M 3	loose	5 pcs.	4001116300202
stainless steel V2A	M 4	loose	5 pcs.	4001116300219
stainless steel V2A	M 5	loose	5 pcs.	4001116300226
stainless steel V2A	M 6	loose	5 pcs.	4001116300233
stainless steel V2A	M 8	loose	5 pcs.	4001116300240
stainless steel V2A	M 10	loose	5 pcs.	4001116300257
stainless steel V2A	M 12	loose	5 pcs.	4001116300264
stainless steel V2A	M 16	loose	5 pcs.	4001116300288
stainless steel V2A	M 20	loose	5 pcs.	4001116300295
1 Metric threaded rods, DIN 976-1				
brass	M 3	loose	5 pcs.	4001116300301
brass	M 4	loose	5 pcs.	4001116300318
brass	M 5	loose	5 pcs.	4001116300325
brass	M 6	loose	5 pcs.	4001116300332
brass	M 8	loose	5 pcs.	4001116300349
brass	M 10	loose	5 pcs.	4001116300356
brass	M 12	loose	5 pcs.	4001116300363
plastic (PA), nature	M 5	loose	5 pcs.	4001116300424
plastic (PA), nature	M 6	loose	5 pcs.	4001116300431
plastic (PA), nature	M 8	loose	5 pcs.	4001116300448

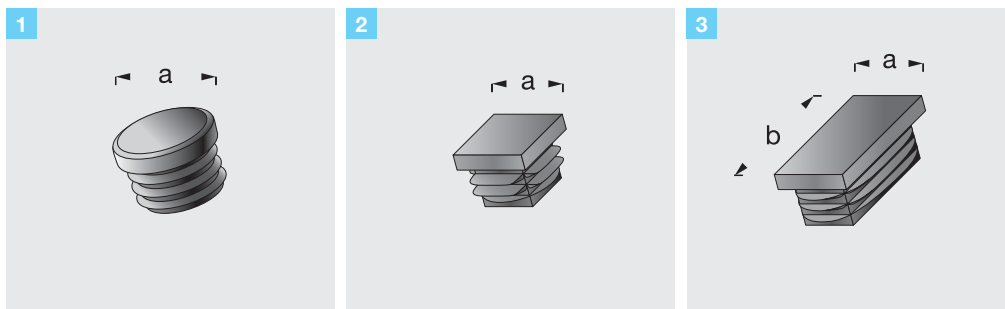
combitech® profiles



System accessories

Color	Dim. a	Packaging	Min.OU	EAN / item no.
1 Gussets in aluminium				
uncoated	60.0 mm	SS bag containing 4 pcs.	5 pcs.	4001116 297960
uncoated	110.0 mm	SS bag containing 2 pcs.	5 pcs.	4001116 297977
uncoated	160.0 mm	SS bag containing 1 pc.	5 pcs.	4001116 297984
2 Step drill. steel/HSS. drill-hole: 4.8/7.7/11.7/15.7/19.7/23.7/29.7 mm				
		clap-pac	1 pc.	4001116 297991
3 Polish alu-magic, bottle of 100ml				
		SB bag	5 pcs.	4001116 306877

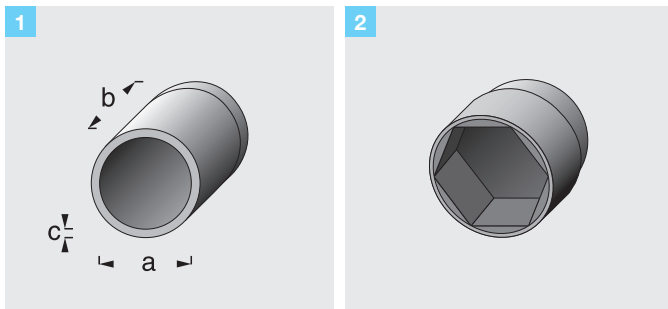
combitech® profiles



System accessories

Color	Dim. a	Dim. b	Packaging	Min.OU	EAN / item no.
1 Lamellar plugs, round, plastic (PE)					
black	11.5 mm		SS bag containing 4 pcs.	5 pcs.	4001116 29804 2
black	15.5 mm		SS bag containing 2 pcs.	5 pcs.	4001116 29806 6
black	19.5 mm		SS bag containing 2 pcs.	5 pcs.	4001116 29808 0
black	23.5 mm		SS bag containing 2 pcs.	5 pcs.	4001116 29810 3
black	29.5 mm		SS bag containing 2 pcs.	5 pcs.	4001116 29812 7
black	35.5 mm		SS bag containing 2 pcs.	5 pcs.	4001116 29814 1
2 Lamellar plugs, square, plastic (PE)					
black	11.5 mm		SS bag containing 4 pcs.	5 pcs.	4001116 29824 0
black	15.5 mm		SS bag containing 2 pcs.	5 pcs.	4001116 29826 4
black	19.5 mm		SS bag containing 2 pcs.	5 pcs.	4001116 29828 8
black	23.5 mm		SS bag containing 2 pcs.	5 pcs.	4001116 29830 1
black	29.5 mm		SS bag containing 2 pcs.	5 pcs.	4001116 29832 5
black	35.5 mm		SS bag containing 2 pcs.	5 pcs.	4001116 29834 9
3 Lamellar plugs, rectangular, plastic (PE)					
black	19.5 mm	35.5 mm	SS bag containing 2 pcs.	5 pcs.	4001116 29848 6

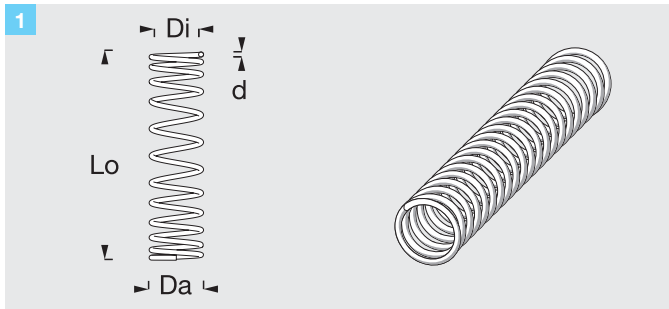
combitech® profiles



System accessories

Color	For	Dim. a	Dim. b	Dim. c	Spanner size	Packaging	Min.OU	EAN / item no.
1 Rubber caps, plastic (soft PVC)								
black	M 5	4,5 mm	10,0 mm	1,2 mm		SS bag containing 6 pcs.	5 pcs.	4001116300523
black	M 6	5,5 mm	10,0 mm	1,2 mm		SS bag containing 6 pcs.	5 pcs.	4001116300530
black	M 8	7,5 mm	15,0 mm	1,2 mm		SS bag containing 4 pcs.	5 pcs.	4001116300547
black	M 10	9,5 mm	20,0 mm	1,2 mm		SS bag containing 4 pcs.	5 pcs.	4001116300554
black	M 12	11,5 mm	20,0 mm	1,2 mm		SS bag containing 2 pcs.	5 pcs.	4001116300561
black	M 16	15,5 mm	30,0 mm	1,2 mm		SS bag containing 2 pcs.	5 pcs.	4001116300585
black	M 20	19,5 mm	30,0 mm	1,2 mm		SS bag containing 2 pcs.	5 pcs.	4001116300592
2 Hexagon caps, plastic (PE)								
black	M 5				8	SS bag containing 6 pcs.	5 pcs.	4001116301223
black	M 6				10	SS bag containing 6 pcs.	5 pcs.	4001116301230
black	M 8				13	SS bag containing 4 pcs.	5 pcs.	4001116301247
black	M 10				17	SS bag containing 4 pcs.	5 pcs.	4001116301254
black	M 12				19	SS bag containing 2 pcs.	5 pcs.	4001116301261
black	M 16				24	SS bag containing 2 pcs.	5 pcs.	4001116301285
black	M 20				30	SS bag containing 1 pc.	5 pcs.	4001116301292

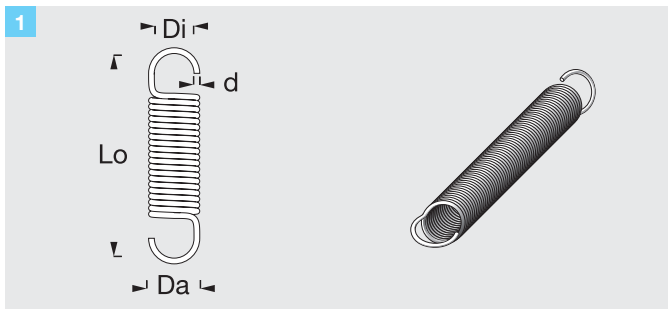
combitech® profiles



System accessories

Dim.	Dim. d	Dim. Da	Dim. Di	Dim. Lo	Spring rate	Packaging	Min.OU	EAN / item no.
1 Compression springs, standard design in steel								
M 5	0.7 mm	7.5 mm	6.1 mm	35.8 mm	0,819 N/mm	SS bag containing 2 pcs.	5 pcs.	4001116 29862 2
M 8	0.8 mm	10.8 mm	9.2 mm	66.0 mm	0,334 N/mm	SS bag containing 2 pcs.	5 pcs.	4001116 29864 6
M 12	0.9 mm	15.0 mm	13.2 mm	59.7 mm	0,434 N/mm	SS bag containing 2 pcs.	5 pcs.	4001116 29866 0
M 16	1.25 mm	19.0 mm	16.5 mm	75.0 mm	0,523 N/mm	SS bag containing 1 pc.	5 pcs.	4001116 29868 4
M 20	1.6 mm	23.6 mm	20.4 mm	27.5 mm	1,254 N/mm	SS bag containing 1 pc.	5 pcs.	4001116 29870 7
M 24	1.6 mm	28.0 mm	24.8 mm	85.0 mm	0,660 N/mm	SS bag containing 1 pc.	5 pcs.	4001116 29872 1
M 30	1.5 mm	34.0 mm	31.0 mm	107.0 mm	0,273 N/mm	SS bag containing 1 pc.	5 pcs.	4001116 29874 5
1 Compression springs, more robust design in steel								
M 5	1.0 mm	7.3 mm	5.3 mm	30.5 mm	3,259 N/mm	SS bag containing 2 pcs.	5 pcs.	4001116 29882 0
M 8	1.0 mm	11.0 mm	9.0 mm	67.0 mm	0,657 N/mm	SS bag containing 2 pcs.	5 pcs.	4001116 29884 4
M 12	1.4 mm	15.0 mm	12.2 mm	65.3 mm	1,638 N/mm	SS bag containing 2 pcs.	5 pcs.	4001116 29886 8
M 16	1.6 mm	19.8 mm	16.6 mm	104.0 mm	0,820 N/mm	SS bag containing 1 pc.	5 pcs.	4001116 29888 2
M 20	1.4 mm	24.0 mm	21.2 mm	93.0 mm	0,616 N/mm	SS bag containing 1 pc.	5 pcs.	4001116 29890 5
M 24	2.8 mm	30.0 mm	24.4 mm	70.7 mm	5,658 N/mm	SS bag containing 1 pc.	5 pcs.	4001116 29892 9
M 30	2.0 mm	34.0 mm	30.0 mm	120.0 mm	0,904 N/mm	SS bag containing 1 pc.	5 pcs.	4001116 29894 3

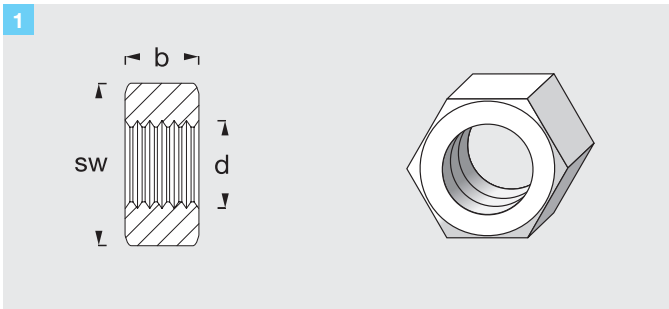
combitech® profiles



System accessories

Dim.	Dim. d	Dim. Da	Dim. Di	Dim. Lo	Spring rate	Packaging	Min.OU	EAN / item no.
1 Tension spring, standard design, steel								
M 5	0.45 mm	5.0 mm	4.1 mm	18.3 mm	0,181 N/mm	SS bag containing 2 pcs.	5 pcs.	4001116 299025
M 8	0.5 mm	8.0 mm	7.0 mm	33.2 mm	0,036 N/mm	SS bag containing 2 pcs.	5 pcs.	4001116 299049
M 12	0.8 mm	10.8 mm	9.2 mm	35.5 mm	0,170 N/mm	SS bag containing 2 pcs.	5 pcs.	4001116 299063
M 16	1.0 mm	13.5 mm	11.5 mm	59.4 mm	0,132 N/mm	SS bag containing 1 pc.	5 pcs.	4001116 299087
M 20	1.25 mm	17.2 mm	14.7 mm	70.8 mm	0,168 N/mm	SS bag containing 1 pc.	5 pcs.	4001116 299100
M 24	1.6 mm	21.6 mm	18.4 mm	85.0 mm	0,249 N/mm	SS bag containing 1 pc.	5 pcs.	4001116 299124
M 30	2.0 mm	27.0 mm	23.0 mm	118.0 mm	0,264 N/mm	SS bag containing 1 pc.	5 pcs.	4001116 299148
1 Tension spring, more robust design, steel								
M 5	0.8 mm	4.8 mm	3.2 mm	15.5 mm	5,670 N/mm	SS bag containing 2 pcs.	5 pcs.	4001116 299223
M 8	0.8 mm	8.0 mm	6.4 mm	26.5 mm	0,604 N/mm	SS bag containing 2 pcs.	5 pcs.	4001116 299247
M 12	1.0 mm	11.0 mm	9.0 mm	40.4 mm	0,416 N/mm	SS bag containing 2 pcs.	5 pcs.	4001116 299261
M 16	1.4 mm	15.0 mm	12.2 mm	55.9 mm	0,635 N/mm	SS bag containing 1 pc.	5 pcs.	4001116 299285
M 20	1.6 mm	17.6 mm	14.4 mm	64.6 mm	0,665 N/mm	SS bag containing 1 pc.	5 pcs.	4001116 299308
M 24	2.2 mm	24.0 mm	19.6 mm	88.6 mm	0,940 N/mm	SS bag containing 1 pc.	5 pcs.	4001116 299322
M 30	2.5 mm	27.5 mm	22.5 mm	101.0 mm	1,040 N/mm	SS bag containing 1 pc.	5 pcs.	4001116 299346

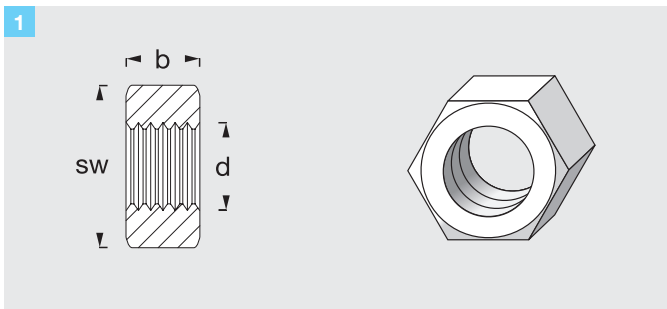
combitech[®] profiles



System accessories

Dim. d	Dim. b	Spanner size	Packaging	Min.OU	EAN / item no.
1 Hexagon nuts, galvanized steel, DIN 934					
M 3	2.4 mm	5.5	SS bag containing 10 pcs.	5 pcs.	4001116300608
M 4	3.2 mm	7	SS bag containing 10 pcs.	5 pcs.	4001116300615
M 5	4.0 mm	8	SS bag containing 6 pcs.	5 pcs.	4001116300622
M 6	5.0 mm	10	SS bag containing 6 pcs.	5 pcs.	4001116300639
M 8	6.5 mm	13	SS bag containing 4 pcs.	5 pcs.	4001116300646
M 10	8.0 mm	17	SS bag containing 4 pcs.	5 pcs.	4001116300653
M 12	10.0 mm	19	SS bag containing 2 pcs.	5 pcs.	4001116300660
M 14	11.0 mm	22	SS bag containing 2 pcs.	5 pcs.	4001116300677
M 16	13.0 mm	24	SS bag containing 2 pcs.	5 pcs.	4001116300684
M 20	16.0 mm	30	SS bag containing 1 pc.	5 pcs.	4001116300691
1 Hexagon nuts, stainless steel V2A, DIN 934					
M 3	2.4 mm	5,5	SS bag containing 10 pcs.	5 pcs.	4001116300707
M 4	3.2 mm	7	SS bag containing 10 pcs.	5 pcs.	4001116300714
M 5	4.0 mm	8	SS bag containing 6 pcs.	5 pcs.	4001116300721
M 6	5.0 mm	10	SS bag containing 6 pcs.	5 pcs.	4001116300738
M 8	6.5 mm	13	SS bag containing 4 pcs.	5 pcs.	4001116300745
M 10	8.0 mm	17	SS bag containing 4 pcs.	5 pcs.	4001116300752
M 12	10.0 mm	19	SS bag containing 2 pcs.	5 pcs.	4001116300769
M 16	13.0 mm	24	SS bag containing 2 pcs.	5 pcs.	4001116300783
M 20	16.0 mm	30	SS bag containing 1 pc.	5 pcs.	4001116300790

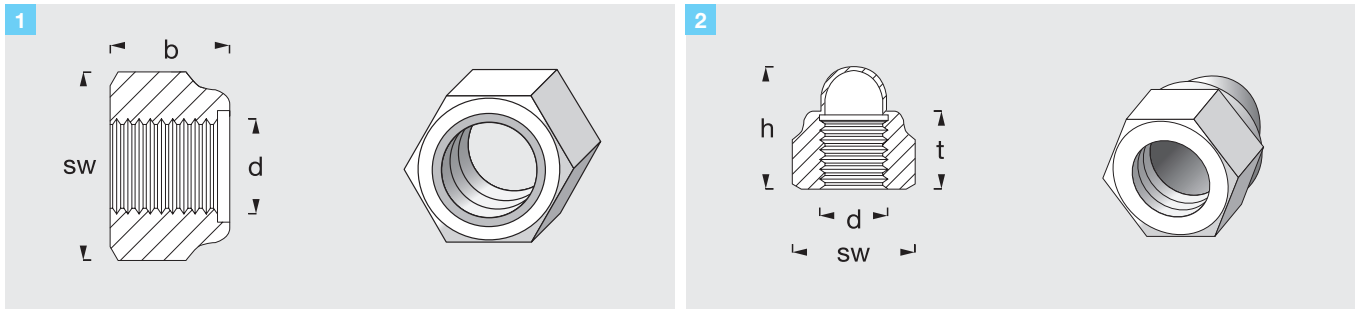
combitech® profiles



System accessories

Dim. d	Dim. b	Spanner size	Packaging	Min.OU	EAN / item no.
1 Hexagon nuts, solid brass, DIN 934					
M 3	2.4 mm	5.5	SS bag containing 10 pcs.	5 pcs.	4001116300806
M 4	3.2 mm	7	SS bag containing 10 pcs.	5 pcs.	4001116300813
M 5	4.0 mm	8	SS bag containing 6 pcs.	5 pcs.	4001116300820
M 6	5.0 mm	10	SS bag containing 6 pcs.	5 pcs.	4001116300837
M 8	6.5 mm	13	SS bag containing 4 pcs.	5 pcs.	4001116300844
M 10	8.0 mm	17	SS bag containing 4 pcs.	5 pcs.	4001116300851
M 12	10.0 mm	19	SS bag containing 2 pcs.	5 pcs.	4001116300868
1 Hexagon nuts, plastic (PA), nature, DIN 934					
M 5	4.0 mm	8	SS bag containing 6 pcs.	5 pcs.	4001116300929
M 6	5.0 mm	10	SS bag containing 6 pcs.	5 pcs.	4001116300936
M 8	6.5 mm	13	SS bag containing 4 pcs.	5 pcs.	4001116300943

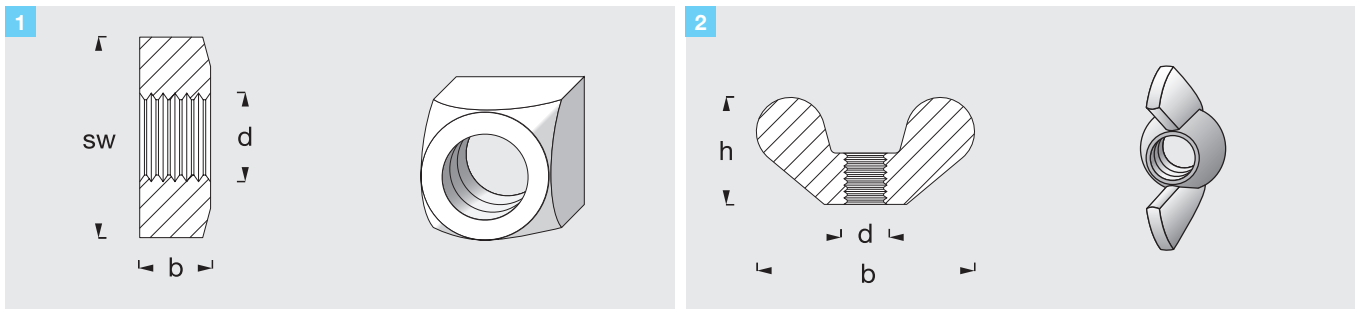
combitech® profiles



System accessories

Dim. d	Dim. b	Dim. h	Dim. t	Spanner size	Packaging	Min.OU	EAN / item no.
1 Hexagon nuts, galvanized steel, self-locking, DIN 985							
M 3	4.0mm			5.5	SS bag containing 10 pcs.	5 pcs.	400111630100 1
M 4	5.0mm			7	SS bag containing 10 pcs.	5 pcs.	400111630101 8
M 5	5.0mm			8	SS bag containing 6 pcs.	5 pcs.	400111630102 5
M 6	6.0mm			10	SS bag containing 6 pcs.	5 pcs.	400111630103 2
M 8	8.0mm			13	SS bag containing 4 pcs.	5 pcs.	400111630104 9
M 10	10.0mm			17	SS bag containing 4 pcs.	5 pcs.	400111630105 6
M 12	12.0mm			19	SS bag containing 2 pcs.	5 pcs.	400111630106 3
M 16	16.0mm			24	SS bag containing 2 pcs.	5 pcs.	400111630108 7
M 20	20.0mm			30	SS bag containing 1 pc.	5 pcs.	400111630109 4
2 Hexagon cap nuts, galvanized steel, self-locking, DIN 986							
M 5		10.0mm	7.5mm	8	SS bag containing 6 pcs.	5 pcs.	400111630112 4
M 6		12.0mm	8.0mm	10	SS bag containing 6 pcs.	5 pcs.	400111630113 1
M 8		15.0mm	11.0mm	13	SS bag containing 4 pcs.	5 pcs.	400111630114 8
M 10		18.0mm	13.0mm	17	SS bag containing 4 pcs.	5 pcs.	400111630115 5
M 12		22.0mm	16.0mm	19	SS bag containing 2 pcs.	5 pcs.	400111630116 2

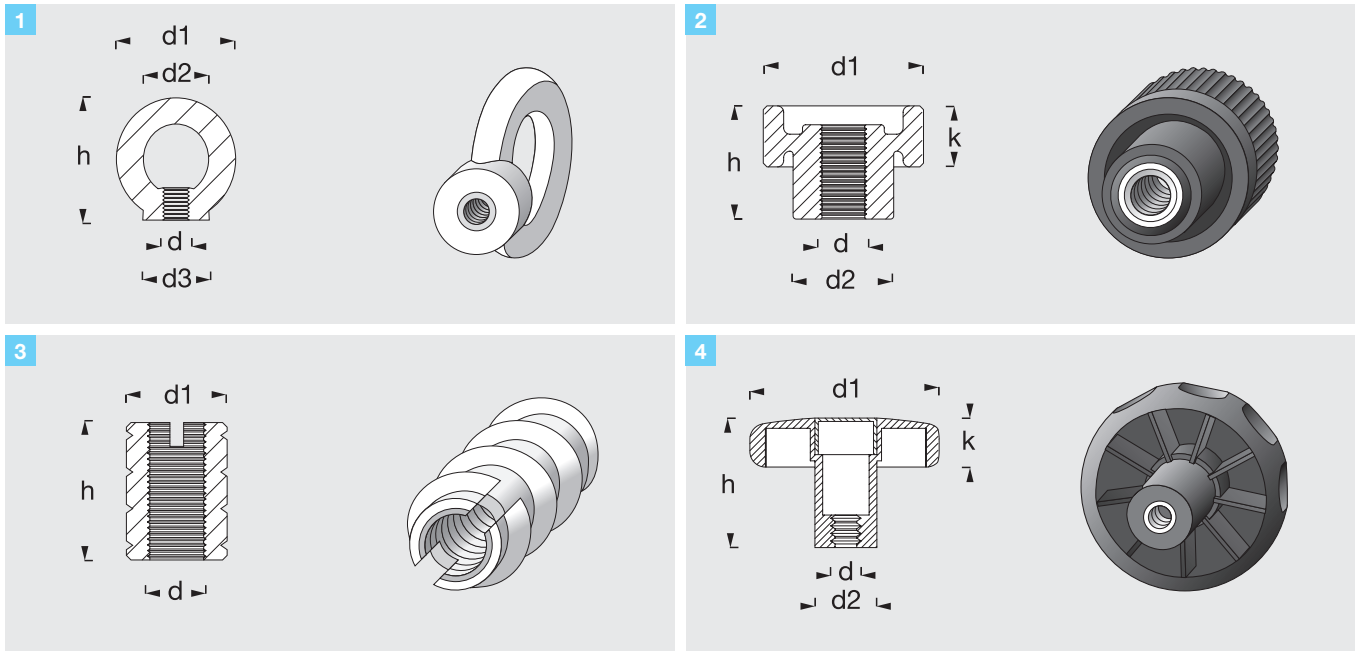
combitech® profiles



System accessories

Dim. d	Dim. b	Dim. h	Spanner size	Packaging	Min.OU	EAN / item no.
1 Square nuts, galvanized steel, self-locking; DIN 986						
M 5	4.0 mm		8	SS bag containing 6 pcs.	5 pcs.	4001116301322
M 6	5.0 mm		10	SS bag containing 6 pcs.	5 pcs.	4001116301339
M 8	6.5 mm		13	SS bag containing 4 pcs.	5 pcs.	4001116301346
M 10	8.0 mm		17	SS bag containing 4 pcs.	5 pcs.	4001116301353
M 12	10.0 mm		19	SS bag containing 2 pcs.	5 pcs.	4001116301360
2 Wing nuts, galvanized steel, american shape						
M 5	25.0 mm	12.0 mm		SS bag containing 6 pcs.	5 pcs.	4001116301421
M 6	32.0 mm	16.0 mm		SS bag containing 6 pcs.	5 pcs.	4001116301438
M 8	38.0 mm	20.0 mm		SS bag containing 4 pcs.	5 pcs.	4001116301445
M 10	50.0 mm	25.0 mm		SS bag containing 4 pcs.	5 pcs.	4001116301452
M 12	64.0 mm	32.0 mm		SS bag containing 2 pcs.	5 pcs.	4001116301469

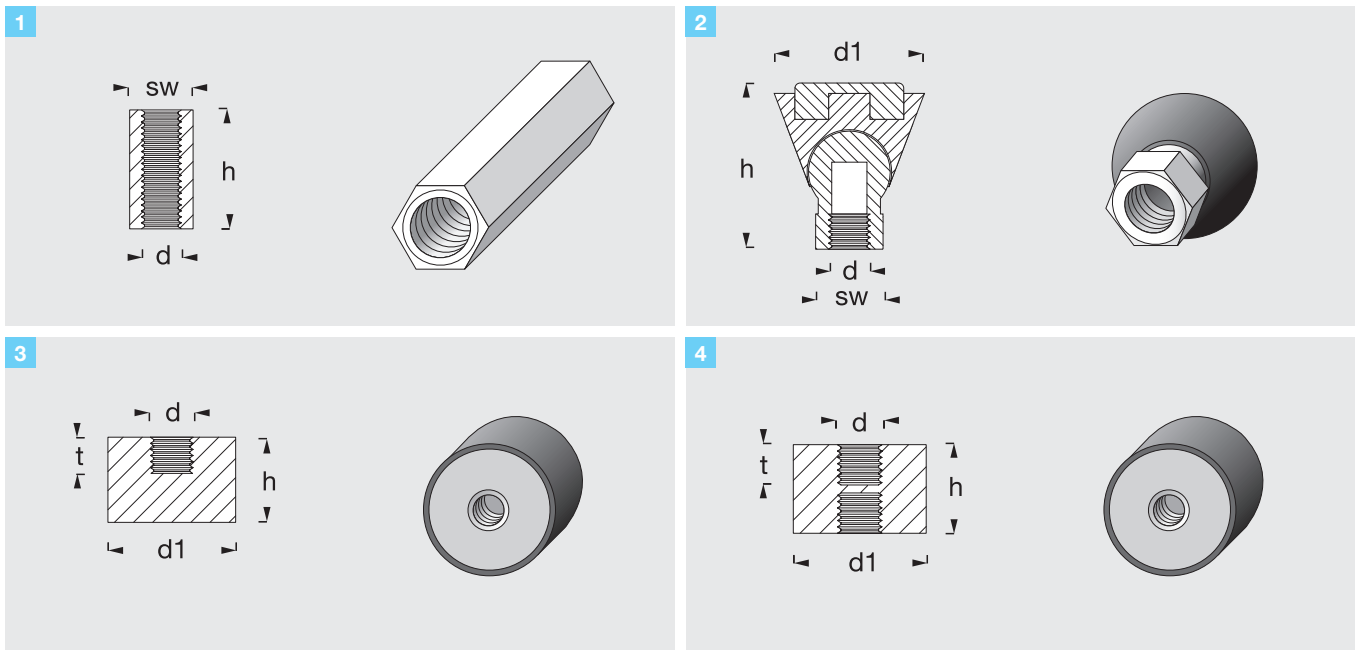
combitech® profiles



System accessories

Dim. d	Dim. d1	Dim. d2	Dim. d3	Dim. h	Dim. k	Packaging	Min.OU	EAN / item no.
1 Lifting eye nuts, galvanized steel, DIN 582								
M 8	36.0mm	20.0mm	20.0mm	36.0mm		SS bag containing 1 pc.	5 pcs.	4001116301544
M 12	54.0mm	30.0mm	30.0mm	53.0mm		SS bag containing 1 pc.	5 pcs.	4001116301568
2 Knurled nuts, plastic (hard PVC), black, with brass thread								
M 5	15.0mm	10.0mm		10.5mm	5.7mm	SS bag containing 4 pcs.	5 pcs.	4001116301629
M 8	25.5mm	16.0mm		18.0mm	9.7mm	SS bag containing 1 pc.	5 pcs.	4001116301643
3 Screwed inserts, steel, DIN 7965								
M 5	10.0mm			12.0mm		SS bag containing 4 pcs.	5 pcs.	4001116301728
M 6	12.0mm			15.0mm		SS bag containing 4 pcs.	5 pcs.	4001116301735
M 8	16.0mm			18.0mm		SS bag containing 2 pcs.	5 pcs.	4001116301742
M 10	18.5mm			20.0mm		SS bag containing 2 pcs.	5 pcs.	4001116301759
M 12	22.0mm			30.0mm		SS bag containing 1 pc.	5 pcs.	4001116301766
4 Hand wheel, plastic (hard PVC), black, with steel thread, anodized								
M 8	62.0mm	20.0mm		40.0mm	17.0mm	SS bag containing 1 pc.	5 pcs.	4001116302244

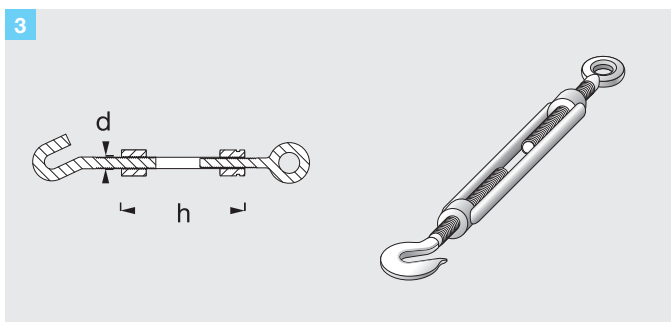
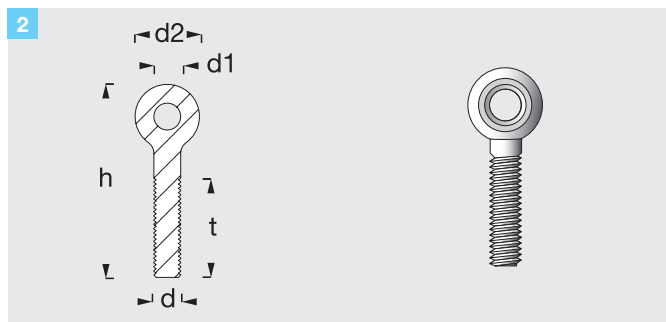
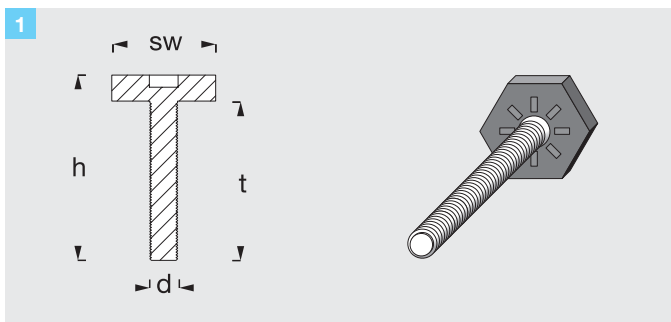
combitech® profiles



System accessories

Dim. d	Dim. d1	Dim. t	Dim. h	Spanner size	Packaging	Min.OU	EAN / item no.
1 Hexagon connection sleeves, galvanized steel							
M 5			30.0mm	8	SS bag containing 4 pcs.	5 pcs.	4001116301827
M 6			30.0mm	10	SS bag containing 4 pcs.	5 pcs.	4001116301834
M 8			30.0mm	13	SS bag containing 2 pcs.	5 pcs.	4001116301841
M 10			30.0mm	17	SS bag containing 2 pcs.	5 pcs.	4001116301858
M 12			30.0mm	19	SS bag containing 1 pc.	5 pcs.	4001116301865
2 Hinged plate, plastic (PVC), black, with steel thread							
M 8	30.0mm		30.0mm	14	SS bag containing 1 pc.	5 pcs.	4001116302046
3 Rubber buffer, black, with galvanized steel thread							
M 8	30.0mm	8.5mm	20.0mm		SS bag containing 1 pc.	5 pcs.	4001116303647
4 Rubber buffer, black, with double-sided galvanized steel thread							
M 8	30.0mm	8.5mm	20.0mm		SS bag containing 1 pc.	5 pcs.	4001116303746

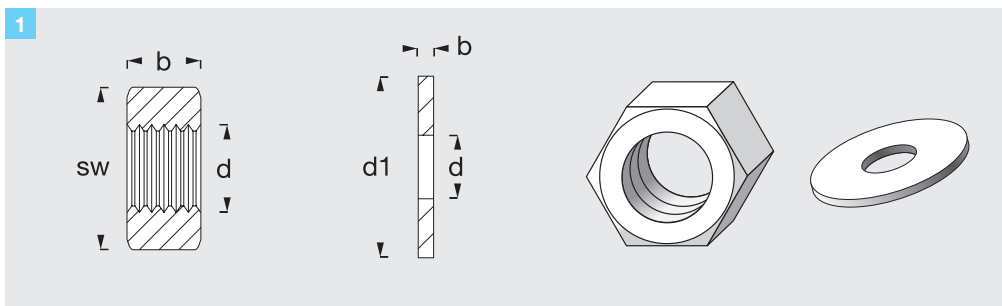
combitech® profiles



System accessories

Dim. d	Dim. d1	Dim. d2	Dim. t	Dim. h	Spanner size	Packaging	Min.OU	EAN / item no.
1 Adjusting foot, plastic (hard PVC), black, with galvanized steel thread								
M 8			46.0 mm	54.0 mm	30	SS bag containing 1 pc.	5 pcs.	4001116303548
2 Eye bolt, galvanized steel, DIN 444								
M 5	5.0 mm	11.3 mm	16.0 mm	36.0 mm		SS bag containing 4 pcs.	5 pcs.	4001116303425
M 8	8.0 mm	20.0 mm	25.0 mm	48.7 mm		SS bag containing 2 pcs.	5 pcs.	4001116303449
3 Turnbuckle with hook and eye, galvanized steel, DIN 1480								
M 5				50.0 mm		SS bag containing 1 pc.	5 pcs.	4001116301926
M 8				110.0 mm		loose	5 pcs.	4001116301940

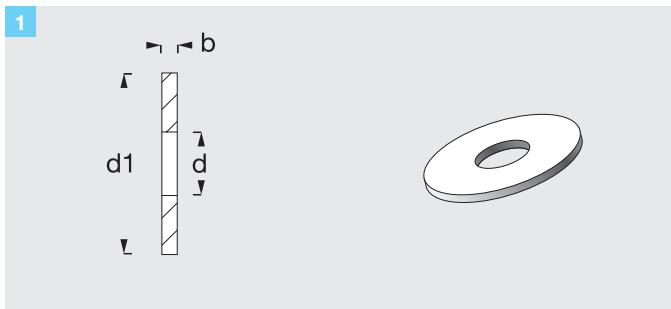
combitech® profiles



System accessories

Nuts			Washers			Packaging	Min.OU	EAN / item no.
Dim. d	Dim. b	Spanner size	Dim. d	Dim. d1	Dim. b			
1 Set: Hexagon nuts, galvanized steel, DIN 934, with washers in galvanized steel, DIN 9021								
M 3	2,4 mm	5,5	3,2 mm	9,0 mm	0,8 mm	SS bag containing 20 pcs.	5 pcs.	4001116307706
M 4	3,2 mm	7	4,3 mm	12,0 mm	1,0 mm	SS bag containing 20 pcs.	5 pcs.	4001116307713
M 5	4,0 mm	8	5,3 mm	15,0 mm	1,2 mm	SS bag containing 10 pcs.	5 pcs.	4001116307720
M 6	5,0 mm	10	6,4 mm	18,0 mm	1,6 mm	SS bag containing 10 pcs.	5 pcs.	4001116307737
M 8	6,5 mm	13	8,4 mm	24,0 mm	2,0 mm	SS bag containing 6 pcs.	5 pcs.	4001116307744
M 10	8,0 mm	17	10,5 mm	30,0 mm	2,5 mm	SS bag containing 2 pcs.	5 pcs.	4001116307751
M 12	10,0 mm	19	13,0 mm	37,0 mm	3,0 mm	SS bag containing 2 pcs.	5 pcs.	4001116307768
M 14	11,0 mm	22	15,0 mm	44,0 mm	3,0 mm	SS bag containing 2 pcs.	5 pcs.	4001116307775
M 16	13,0 mm	24	17,0 mm	50,0 mm	3,0 mm	SS bag containing 2 pcs.	5 pcs.	4001116307782
M 20	16,0 mm	30	22,0 mm	60,0 mm	4,0 mm	SS bag containing 2 pcs.	5 pcs.	4001116307799
1 Set: Hexagon nuts, solid brass, DIN 934, with washers in brass, DIN 9021								
M 3	2,4 mm	5,5	3,2 mm	9,0 mm	0,8 mm	SS bag containing 20 pcs.	5 pcs.	4001116307805
M 4	3,2 mm	7	4,3 mm	12,0 mm	1,0 mm	SS bag containing 20 pcs.	5 pcs.	4001116307812
M 5	4,0 mm	8	5,3 mm	15,0 mm	1,2 mm	SS bag containing 10 pcs.	5 pcs.	4001116307829
M 6	5,0 mm	10	6,4 mm	18,0 mm	1,2 mm	SS bag containing 10 pcs.	5 pcs.	4001116307836
M 8	6,5 mm	13	8,4 mm	24,0 mm	2,0 mm	SS bag containing 6 pcs.	5 pcs.	4001116307843
M 10	8,0 mm	17	10,5 mm	30,0 mm	2,5 mm	SS bag containing 2 pcs.	5 pcs.	4001116307850
M 12	10,0 mm	19	13,0 mm	37,0 mm	3,0 mm	SS bag containing 2 pcs.	5 pcs.	4001116307867
1 Set: Hexagon nuts, stainless steel V2A, DIN 934, with washers in stainless steel V2A, DIN 9021								
M 3	2,4 mm	5,5	3,2 mm	9,0 mm	0,8 mm	SS bag containing 20 pcs.	5 pcs.	4001116307904
M 4	3,2 mm	7	4,3 mm	12,0 mm	1,0 mm	SS bag containing 20 pcs.	5 pcs.	4001116307911
M 5	4,0 mm	8	5,3 mm	15,0 mm	1,2 mm	SS bag containing 10 pcs.	5 pcs.	4001116307928
M 6	5,0 mm	10	6,4 mm	18,0 mm	1,6 mm	SS bag containing 10 pcs.	5 pcs.	4001116307935
M 8	6,5 mm	13	8,4 mm	24,0 mm	2,0 mm	SS bag containing 6 pcs.	5 pcs.	4001116307942
M 10	8,0 mm	17	10,5 mm	30,0 mm	2,5 mm	SS bag containing 2 pcs.	5 pcs.	4001116307959
M 12	10,0 mm	19	13,0 mm	37,0 mm	3,0 mm	SS bag containing 2 pcs.	5 pcs.	4001116307966

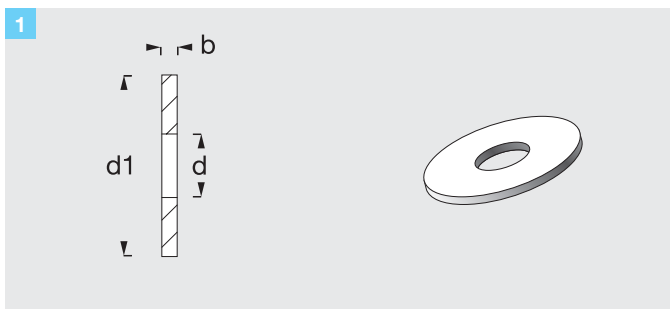
combitech® profiles



System accessories

For threads	Dim. d	Dim. d1	Dim. b	Packaging	Min.OU	EAN / item no.
1 Washers in galvanized steel, DIN 9021						
M 3	3.2 mm	9.0 mm	0.8 mm	SS bag containing 10 pcs.	5 pcs.	4001116302305
M 4	4.3 mm	12.0 mm	1.0 mm	SS bag containing 10 pcs.	5 pcs.	4001116302312
M 5	5.3 mm	15.0 mm	1.2 mm	SS bag containing 6 pcs.	5 pcs.	4001116302329
M 6	6.4 mm	18.0 mm	1.6 mm	SS bag containing 6 pcs.	5 pcs.	4001116302336
M 8	8.4 mm	24.0 mm	2.0 mm	SS bag containing 4 pcs.	5 pcs.	4001116302343
M 10	10.5 mm	30.0 mm	2.5 mm	SS bag containing 4 pcs.	5 pcs.	4001116302350
M 12	13.0 mm	37.0 mm	3.0 mm	SS bag containing 2 pcs.	5 pcs.	4001116302367
M 14	15.0 mm	44.0 mm	3.0 mm	SS bag containing 2 pcs.	5 pcs.	4001116302374
M 16	17.0 mm	50.0 mm	3.0 mm	SS bag containing 2 pcs.	5 pcs.	4001116302381
M 20	22.0 mm	60.0 mm	4.0 mm	SS bag containing 1 pc.	5 pcs.	4001116302398
1 Washers in stainless steel V2A, DIN 9021						
M 3	3.2 mm	9.0 mm	0.8 mm	SS bag containing 10 pcs.	5 pcs.	4001116302404
M 4	4.3 mm	12.0 mm	1.0 mm	SS bag containing 10 pcs.	5 pcs.	4001116302411
M 5	5.3 mm	15.0 mm	1.2 mm	SS bag containing 6 pcs.	5 pcs.	4001116302428
M 6	6.4 mm	18.0 mm	1.6 mm	SS bag containing 6 pcs.	5 pcs.	4001116302435
M 8	8.4 mm	24.0 mm	2.0 mm	SS bag containing 4 pcs.	5 pcs.	4001116302442
M 10	10.5 mm	30.0 mm	2.5 mm	SS bag containing 4 pcs.	5 pcs.	4001116302459
M 12	13.0 mm	37.0 mm	3.0 mm	SS bag containing 2 pcs.	5 pcs.	4001116302466
M 16	17.0 mm	50.0 mm	3.0 mm	SS bag containing 2 pcs.	5 pcs.	4001116302480
M 20	22.0 mm	60.0 mm	4.0 mm	SS bag containing 1 pc.	5 pcs.	4001116302497

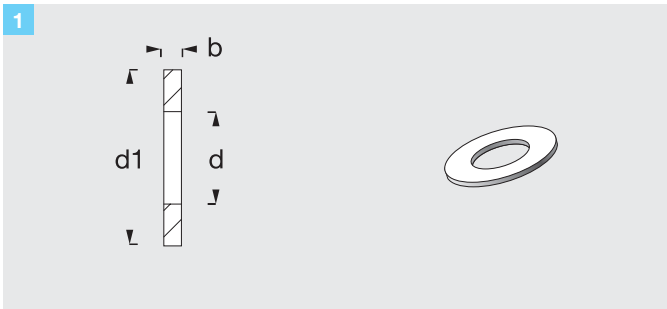
combitech® profiles



System accessories

For threads	Dim. d	Dim. d1	Dim. b	Packaging	Min.OU	EAN / item no.
1 Washers in brass, DIN 9021						
M 3	3.2 mm	9.0 mm	0.8 mm	SS bag containing 10 pcs.	5 pcs.	4001116 302503
M 4	4.3 mm	12.0 mm	1.0 mm	SS bag containing 10 pcs.	5 pcs.	4001116 302510
M 5	5.3 mm	15.0 mm	1.2 mm	SS bag containing 6 pcs.	5 pcs.	4001116 302527
M 6	6.4 mm	18.0 mm	1.6 mm	SS bag containing 6 pcs.	5 pcs.	4001116 302534
M 8	8.4 mm	24.0 mm	2.0 mm	SS bag containing 4 pcs.	5 pcs.	4001116 302541
M 10	10.5 mm	30.0 mm	2.5 mm	SS bag containing 4 pcs.	5 pcs.	4001116 302558
M 12	13.0 mm	37.0 mm	3.0 mm	SS bag containing 2 pcs.	5 pcs.	4001116 302565
1 Washers in plastic (PA) nature, DIN 9021						
M 3	3.2 mm	9.0 mm	0.8 mm	SS bag containing 10 pcs.	5 pcs.	4001116 302602
M 4	4.3 mm	12.0 mm	1.0 mm	SS bag containing 10 pcs.	5 pcs.	4001116 302619
M 5	5.3 mm	15.0 mm	1.2 mm	SS bag containing 6 pcs.	5 pcs.	4001116 302626
M 6	6.4 mm	18.0 mm	1.6 mm	SS bag containing 6 pcs.	5 pcs.	4001116 302633
M 8	8.4 mm	24.0 mm	2.0 mm	SS bag containing 4 pcs.	5 pcs.	4001116 302640
M 10	10.5 mm	30.0 mm	2.5 mm	SS bag containing 4 pcs.	5 pcs.	4001116 302657
M 12	13.0 mm	37.0 mm	3.0 mm	SS bag containing 2 pcs.	5 pcs.	4001116 302664

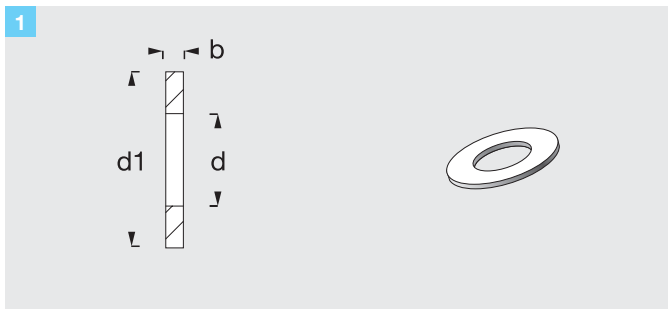
combitech® profiles



System accessories

For threads	Dim. d	Dim. d1	Dim. b	Packaging	Min.OU	EAN / item no.
1 Washers in galvanized steel, DIN 125						
M 3	3.2 mm	7.0 mm	0.5 mm	SS bag containing 10 pcs.	5 pcs.	400111630270 1
M 4	4.3 mm	9.0 mm	0.8 mm	SS bag containing 10 pcs.	5 pcs.	400111630271 8
M 5	5.3 mm	10.0 mm	1.0 mm	SS bag containing 6 pcs.	5 pcs.	400111630272 5
M 6	6.4 mm	12.5 mm	1.6 mm	SS bag containing 6 pcs.	5 pcs.	400111630273 2
M 8	8.4 mm	17.0 mm	1.6 mm	SS bag containing 4 pcs.	5 pcs.	400111630274 9
M 10	10.5 mm	21.0 mm	2.0 mm	SS bag containing 4 pcs.	5 pcs.	400111630275 6
M 12	13.0 mm	24.0 mm	2.5 mm	SS bag containing 2 pcs.	5 pcs.	400111630276 3
M 14	15.0 mm	28.0 mm	2.5 mm	SS bag containing 2 pcs.	5 pcs.	400111630277 0
M 16	17.0 mm	30.0 mm	3.0 mm	SS bag containing 2 pcs.	5 pcs.	400111630278 7
M 20	21.0 mm	37.0 mm	3.0 mm	SS bag containing 1 pc.	5 pcs.	400111630279 4
1 Washers in stainless steel V2A, DIN 125						
M 3	3.2 mm	7.0 mm	0.5 mm	SS bag containing 10 pcs.	5 pcs.	400111630280 0
M 4	4.3 mm	9.0 mm	0.8 mm	SS bag containing 10 pcs.	5 pcs.	400111630281 7
M 5	5.3 mm	10.0 mm	1.0 mm	SS bag containing 6 pcs.	5 pcs.	400111630282 4
M 6	6.4 mm	12.5 mm	1.6 mm	SS bag containing 6 pcs.	5 pcs.	400111630283 1
M 8	8.4 mm	17.0 mm	1.6 mm	SS bag containing 4 pcs.	5 pcs.	400111630284 8
M 10	10.5 mm	21.0 mm	2.0 mm	SS bag containing 4 pcs.	5 pcs.	400111630285 5
M 12	13.0 mm	24.0 mm	2.5 mm	SS bag containing 2 pcs.	5 pcs.	400111630286 2
M 16	17.0 mm	30.0 mm	3.0 mm	SS bag containing 2 pcs.	5 pcs.	400111630288 6
M 20	21.0 mm	37.0 mm	3.0 mm	SS bag containing 1 pc.	5 pcs.	400111630289 3

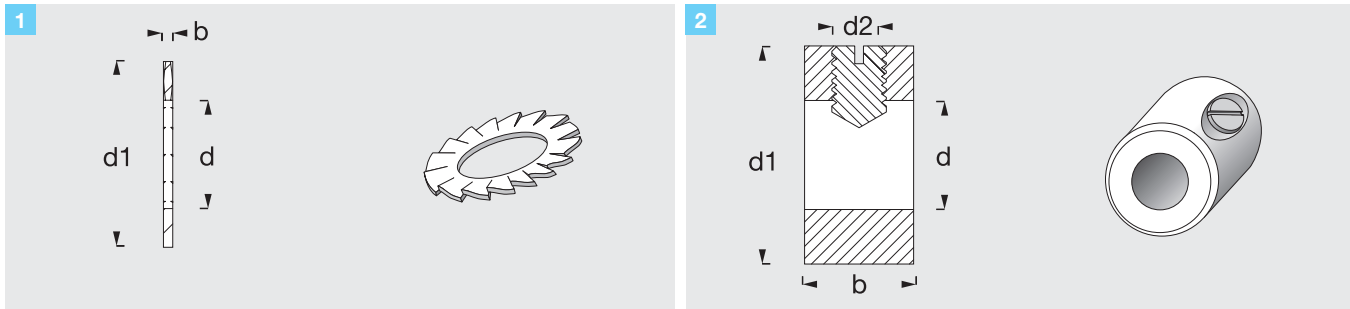
combitech® profiles



System accessories

For threads	Dim. d	Dim. d1	Dim. b	Packaging	Min.OU	EAN / item no.
1 Washers in brass, DIN 125						
M 3	3.2 mm	7.0 mm	0.5 mm	SS bag containing 10 pcs.	5 pcs.	4001116 302909
M 4	4.3 mm	9.0 mm	0.8 mm	SS bag containing 10 pcs.	5 pcs.	4001116 302916
M 5	5.3 mm	10.0 mm	1.0 mm	SS bag containing 6 pcs.	5 pcs.	4001116 302923
M 6	6.4 mm	12.5 mm	1.6 mm	SS bag containing 6 pcs.	5 pcs.	4001116 302930
M 8	8.4 mm	17.0 mm	1.6 mm	SS bag containing 4 pcs.	5 pcs.	4001116 302947
M 10	10.5 mm	21.0 mm	2.0 mm	SS bag containing 4 pcs.	5 pcs.	4001116 302954
M 12	13.0 mm	24.0 mm	2.5 mm	SS bag containing 2 pcs.	5 pcs.	4001116 302961
1 Washers in plastic (PA) nature, DIN 125						
M 3	3.2 mm	7.0 mm	0.5 mm	SS bag containing 10 pcs.	5 pcs.	4001116 303005
M 4	4.3 mm	9.0 mm	0.8 mm	SS bag containing 10 pcs.	5 pcs.	4001116 303012
M 5	5.3 mm	10.0 mm	1.0 mm	SS bag containing 6 pcs.	5 pcs.	4001116 303029
M 6	6.4 mm	12.5 mm	1.6 mm	SS bag containing 6 pcs.	5 pcs.	4001116 303036
M 8	8.4 mm	17.0 mm	1.6 mm	SS bag containing 4 pcs.	5 pcs.	4001116 303043
M 10	10.5 mm	21.0 mm	2.0 mm	SS bag containing 4 pcs.	5 pcs.	4001116 303050
M 12	13.0 mm	24.0 mm	2.5 mm	SS bag containing 2 pcs.	5 pcs.	4001116 303067

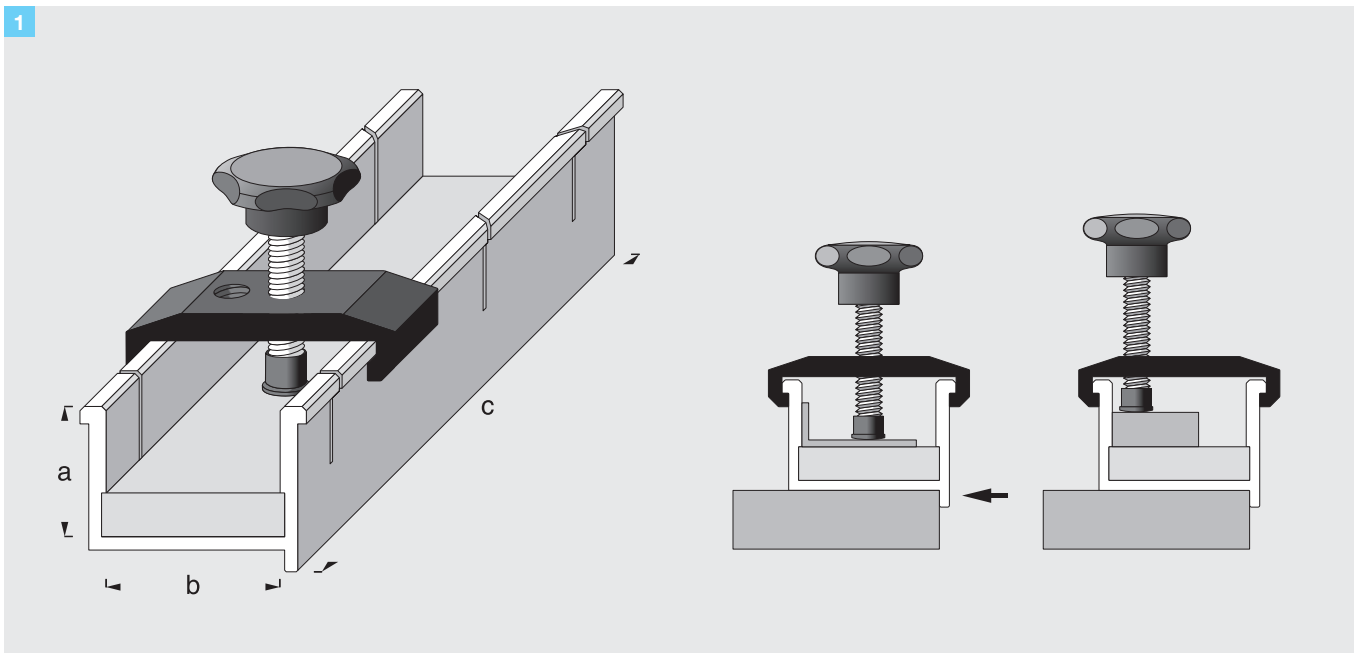
combitech® profiles



System accessories

For threads	Dim. d	Dim. d1	Dim. d2	Dim. b	Packaging	Min.OU	EAN / item no.
1 Serrated lock washers, steel, DIN 6798A							
M 3	3.2 mm	6.0 mm		1.2 mm	SS bag containing 10 pcs.	5 pcs.	4001116303203
M 4	4.3 mm	8.0 mm		1.4 mm	SS bag containing 10 pcs.	5 pcs.	4001116303210
M 5	5.3 mm	10.0 mm		1.7 mm	SS bag containing 6 pcs.	5 pcs.	4001116303227
M 6	6.4 mm	11.0 mm		1.8 mm	SS bag containing 6 pcs.	5 pcs.	4001116303234
M 8	8.4 mm	15.0 mm		2.0 mm	SS bag containing 4 pcs.	5 pcs.	4001116303241
M 10	10.5 mm	18.0 mm		2.2 mm	SS bag containing 4 pcs.	5 pcs.	4001116303258
M 12	13.0 mm	20.5 mm		2.4 mm	SS bag containing 2 pcs.	5 pcs.	4001116303265
2 Adjusting rings in galvanized steel, DIN 705							
M 5	5.0 mm	10.0 mm	M 3	6.0 mm	SS bag containing 6 pcs.	5 pcs.	4001116303326
M 6	6.0 mm	12.0 mm	M 4	8.0 mm	SS bag containing 6 pcs.	5 pcs.	4001116303333
M 8	8.0 mm	16.0 mm	M 4	8.0 mm	SS bag containing 4 pcs.	5 pcs.	4001116303340
M 10	10.0 mm	20.0 mm	M 5	10.0 mm	SS bag containing 4 pcs.	5 pcs.	4001116303357
M 12	12.0 mm	22.0 mm	M 6	12.0 mm	SS bag containing 1 pc.	5 pcs.	4001116303364

combitech® profiles



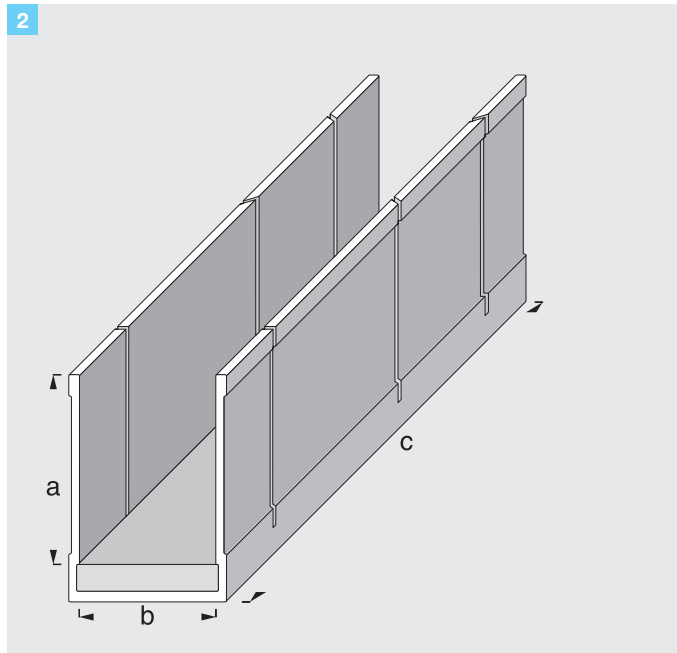
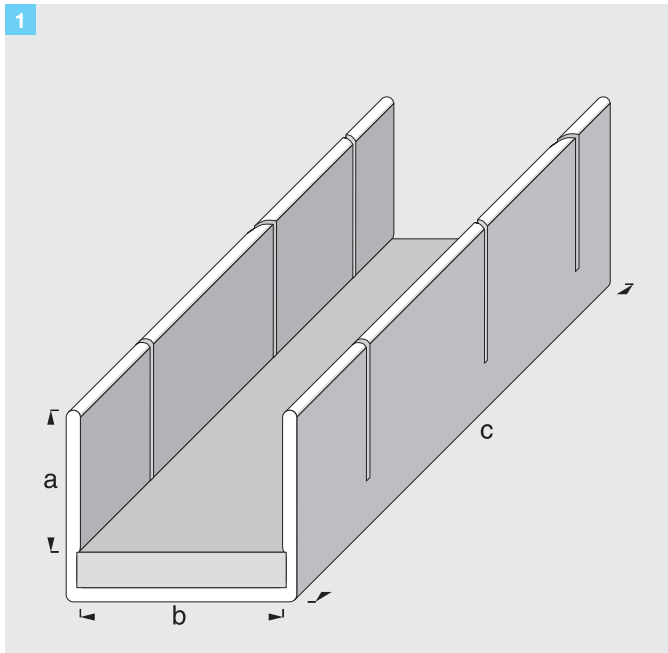
Tool assortment

Dim. a	Dim. b	Dim. c	Packaging	Min.OU	EAN / item no.
1 Piccolo-mitre box MP 7					
30.0 mm	40.0 mm	180.0 mm	loose	1 pc.	4001116411205

Description MP 7:

2 premilled bevel cuts 45° · 1 premilled bevel cut 90° · with replaceable wood insert · with a stopping flange to prevent slip

combitech® profiles



Tool assortment

Dim. a	Dim. b	Dim. c	Packaging	Min.OU	EAN / item no.
1 Precision-mitre box MP 8					
40.0 mm	57.0 mm	248.0 mm	loose	1 pc.	4001116411212

Description MP 8:

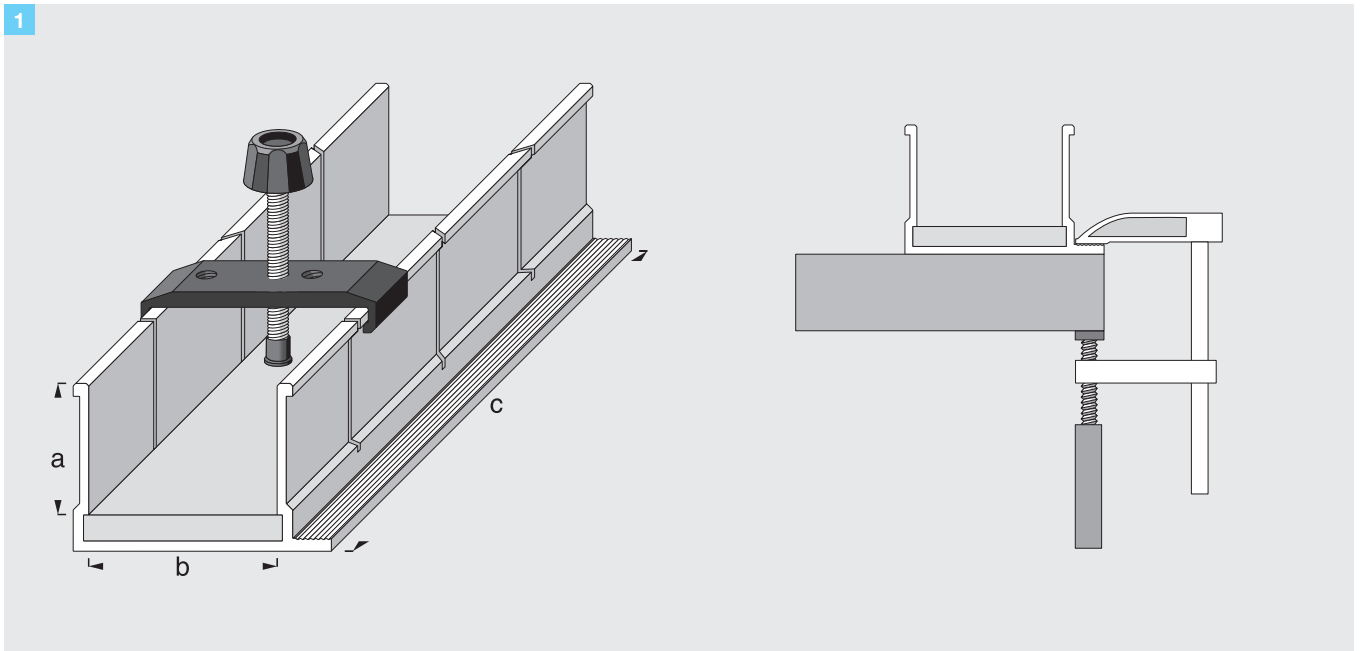
2 premilled bevel cuts 45° · 1 premilled bevel cut 90° · with replaceable wood insert

2 Precision-mitre box MP 9					
70.0 mm	50.0 mm	248.0 mm	loose	1 pc.	4001116411229

Description MP 9:

2 premilled bevel cuts 45° · 1 premilled bevel cut 90° · with replaceable wood insert

combitech® profiles



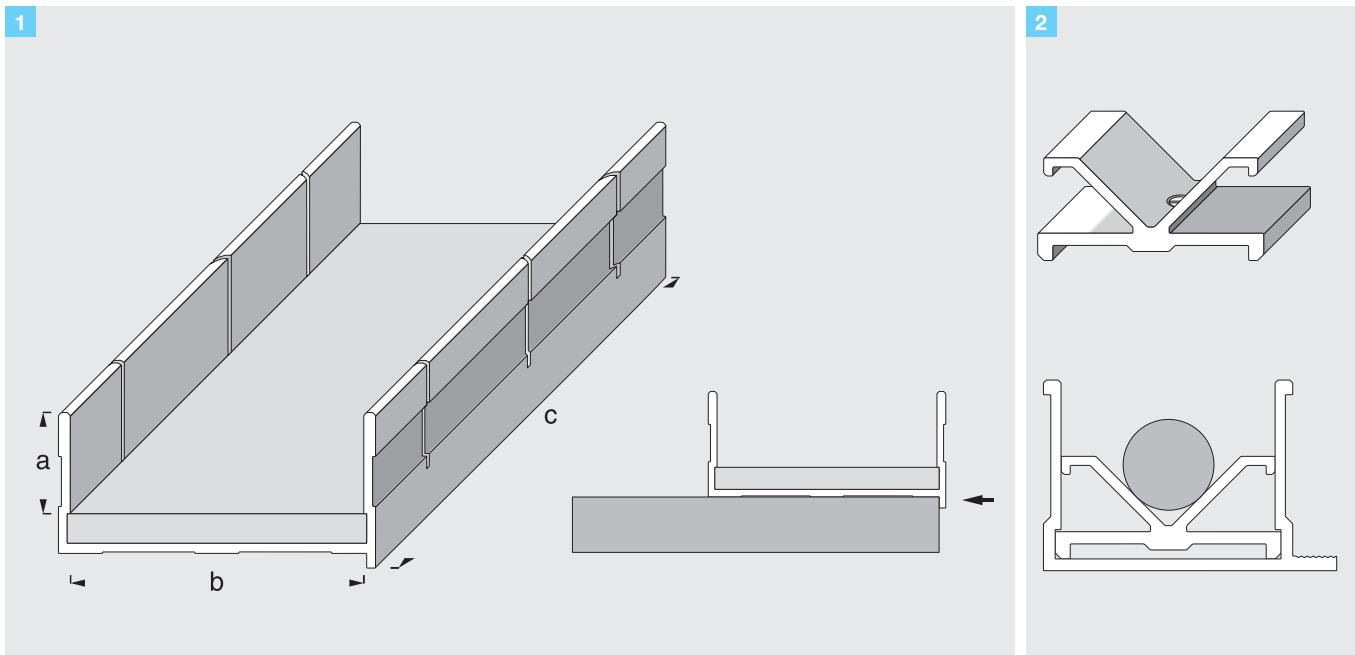
Tool assortment

Dim. a	Dim. b	Dim. c	Packaging	Min.OU	EAN / item no.
1 Precision-mitre box with clamp element MP 10					
50.0mm	73.0mm	248.0mm	loose	1 pc.	4001116411236

Description MP 10:

2 premilled bevel cuts 45° · 1 premilled bevel cut 90° · with replaceable wood insert · with foot elongation (for fixation with thumbscrews) · with a clamp element (to enable the work-pcs. to be held in 3 positions)

combitech® profiles



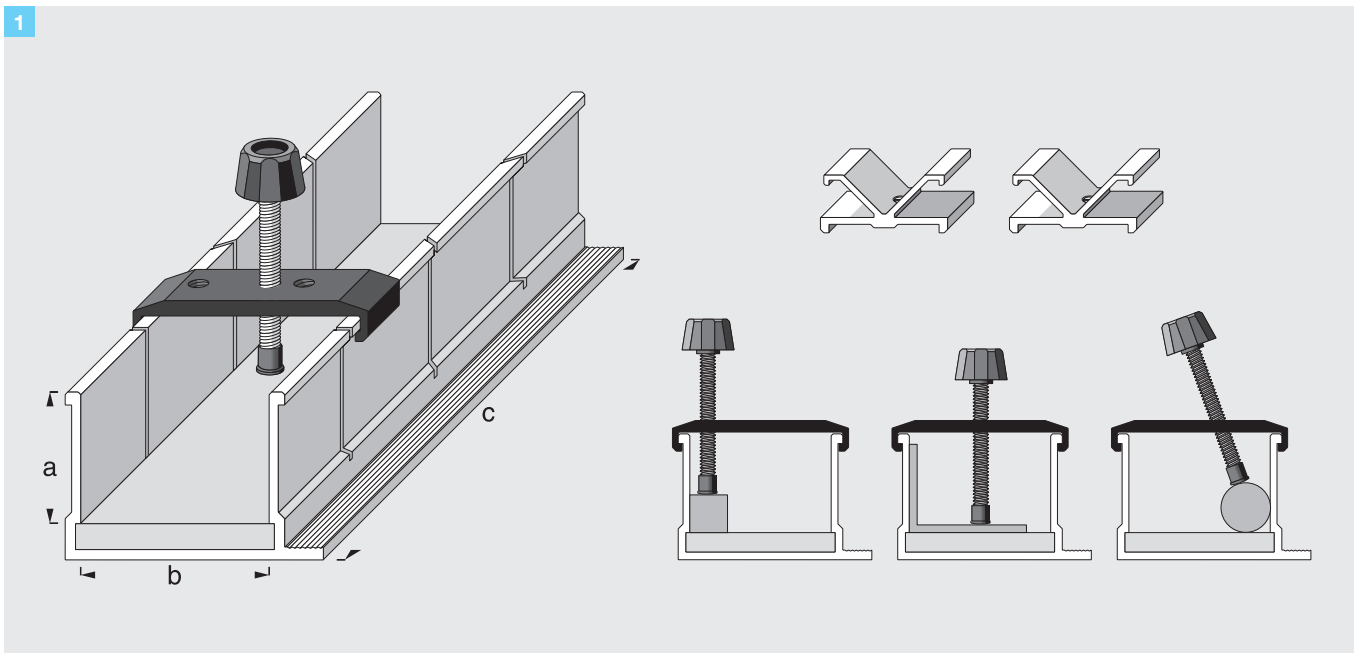
Tool assortment

Dim. a	Dim. b	Dim. c	Packaging	Min.OU	EAN / item no.
1 Precision-mitre box MP 11					
34.0 mm	100.0 mm	248.0 mm	loose	1 pc.	4001116411243
Description MP 11:					
2 premilled bevel cuts 45° · 1 premilled bevel cut 90° · with replaceable wood insert · with a stopping flange to prevent slip					
2 2 prism MP 13 (for mitre box MP 10)					
			SS-skinpack	1 pc.	4001116411267

Description MP 13:

enables especially round tubes and round bars to be fixed in the middle

combitech® profiles



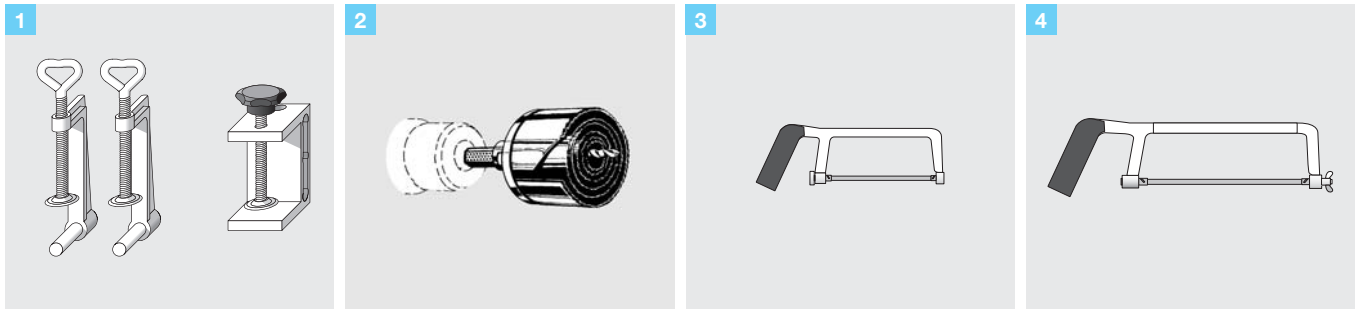
Tool assortment

Dim. a	Dim. b	Dim. c	Packaging	Min.OU	EAN / item no.
1 'Vario'-mitre box MP 14					
50.0 mm	73.0 mm	248.0 mm	SS cardboard box	1 pc.	4001116411274

Description MP 14:

2 premilled bevel cuts 45° · 1 premilled bevel cut 90° · with replaceable wood insert · with foot elongation (for fixation with thumbscrews) · with a clamp element (to enable the work-pcs. to be held in 3 positions) · with 2 prisms MP 10 (enables especially round tubes and round bars to be fixed in the middle)

combitech® profiles



Tool assortment

Description	Packaging	Min.OU	EAN / item no.
1 Multi-clap			
3 pieces	SS box	1 pc.	4001116451522
2 'Profi' keyhole saws			
'Profi' keyhole saw 5T, with 5 saw blades: 28/35/50/68/75 mm	clap-pac	1 pc.	4001116401008
'Profi' keyhole saw 6T, with 6 saw blades: 46/53/60/67/74/81 mm	clap-pac	1 pc.	4001116401015
'Profi' keyhole saw 1T, with 1 saw blade: 68 mm for sockets	clap-pac	1 pc.	4001116401190
3 Maxi-saw			
	loose	1 pc.	4001116451102
4 Maxi-saw			
	loose	1 pc.	4001116451119

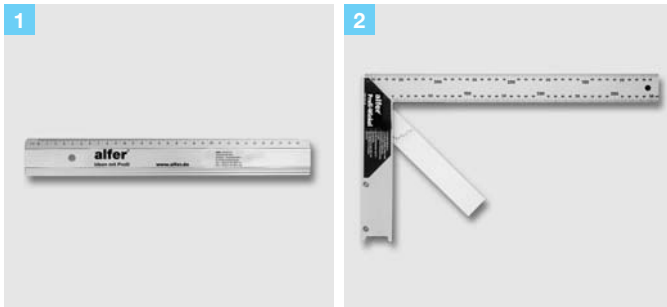
Description:

Low weight and ergonomically-shaped handle, torsion-stiff, profiled saw bow out aluminium diecasting continuously adjustable saw blade, in high-quality HSS bimetal (length: 300 mm), stable and durable, saws metal, wood, plastic etc.

Description:

Low weight and ergonomically-shaped handle, torsion-stiff, profiled saw bow out aluminium diecasting continuously adjustable saw blade, in high-quality HSS bimetal (length: 300 mm), stable and durable, saws metal, wood, plastic etc.

combitech® profiles



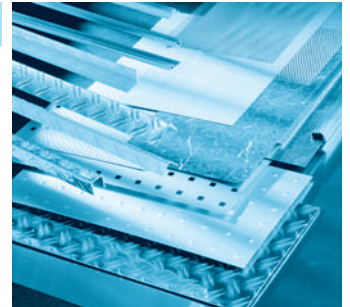
Tool assortment

Description	Packaging	Min.OU	EAN / item no.
1 'Profi'-rulers in aluminium			
'Profi'-ruler, length 30 cm	loose	1 pc.	4001116412004
'Profi'-ruler, length 100 cm	loose	1 pc.	4001116412011
2 'Profi'-angles in aluminium, with bevel ruler and parallel-temple			
'Profi'-angle 250 mm	loose	1 pc.	4001116412158
'Profi'-angle 300 mm	loose	1 pc.	4001116412165
'Profi'-angle 400 mm	loose	1 pc.	4001116412172
'Profi'-angle 500 mm	loose	1 pc.	4001116412189



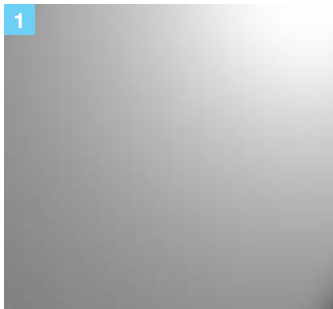
2

Sheets and accessories



Smooth sheets	2.5 – 2.9
Embossed sheets	2.10 – 2.13
Perforated sheets	2.14 – 2.16
Stretch sheets	2.17 – 2.18
Prismatech	2.19 – 2.21
Multitube	2.22 – 2.23
Checker plate profiles	2.24 – 2.25
Accessories	2.26 – 2.27

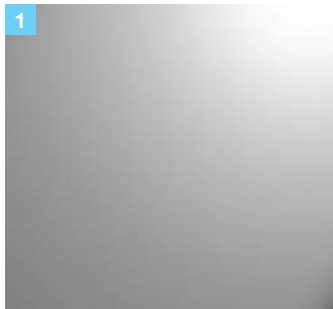
Sheets and accessories



Smooth sheets

Color	Thickness	Packaging	Min.OU	Width	Length	EAN / item no.
1	Aluminium sheet, uncoated					
uncoated	0,5 mm	rolled in a box	1 pc.	1000 mm	2000 mm	4001116 382598
uncoated	0.8 mm	sealed	5 pcs.	250 mm	500 mm	4001116 370045
uncoated	0.8 mm	sealed	5 pcs.	120 mm	1000 mm	4001116 370007
uncoated	0.8 mm	sealed	5 pcs.	200 mm	1000 mm	4001116 370014
uncoated	0.8 mm	sealed	5 pcs.	300 mm	1000 mm	4001116 370021
uncoated	0.8 mm	sealed	5 pcs.	600 mm	1000 mm	4001116 370038
uncoated	0,8 mm	loose	1 pc.	1000 mm	2000 mm	4001116 370090
uncoated	1.5 mm	sealed	5 pcs.	250 mm	500 mm	4001116 375545
uncoated	1.5 mm	sealed	5 pcs.	120 mm	1000 mm	4001116 375507
uncoated	1.5 mm	sealed	5 pcs.	200 mm	1000 mm	4001116 375514
uncoated	1.5 mm	sealed	5 pcs.	300 mm	1000 mm	4001116 375521
uncoated	1.5 mm	sealed	5 pcs.	600 mm	1000 mm	4001116 375538
uncoated	1,5 mm	loose	1 pc.	1000 mm	2000 mm	4001116 375590

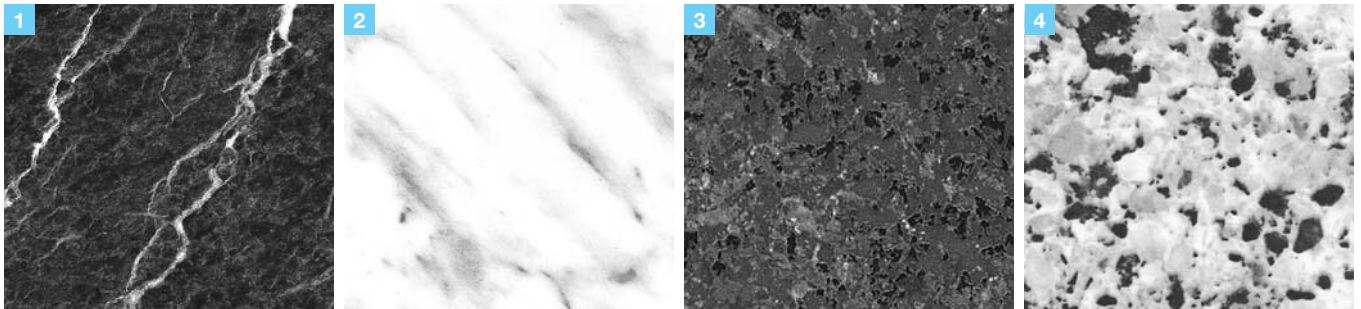
Sheets and accessories



Smooth sheets

Color	Thickness	Packaging	Min.OU	Width	Length	EAN / item no.
1 Aluminium sheet, anodized						
brass	0.8 mm	sealed	5 pcs.	250 mm	500 mm	400111637024 3
brass	0.8 mm	sealed	5 pcs.	120 mm	1000 mm	400111637020 5
brass	0.8 mm	sealed	5 pcs.	200 mm	1000 mm	400111637021 2
brass	0.8 mm	sealed	5 pcs.	300 mm	1000 mm	400111637022 9
brass	0.8 mm	sealed	5 pcs.	600 mm	1000 mm	400111637023 6
bronze	0.8 mm	sealed	5 pcs.	250 mm	500 mm	400111637034 2
bronze	0.8 mm	sealed	5 pcs.	120 mm	1000 mm	400111637030 4
bronze	0.8 mm	sealed	5 pcs.	200 mm	1000 mm	400111637031 1
bronze	0.8 mm	sealed	5 pcs.	300 mm	1000 mm	400111637032 8
bronze	0.8 mm	sealed	5 pcs.	600 mm	1000 mm	400111637033 5
stainless steel visual effect	0.5 mm	foil-wrapped, one-sided	5 pcs.	250 mm	500 mm	400111638204 8
stainless steel visual effect	0.5 mm	foil-wrapped, one-sided	5 pcs.	120 mm	1000 mm	400111638200 0
stainless steel visual effect	0.5 mm	foil-wrapped, one-sided	5 pcs.	200 mm	1000 mm	400111638201 7
stainless steel visual effect	0.5 mm	foil-wrapped, one-sided	5 pcs.	300 mm	1000 mm	400111638202 4
stainless steel visual effect	0.5 mm	foil-wrapped, one-sided	5 pcs.	600 mm	1000 mm	400111638203 1
stainless steel visual effect	0,5 mm	rolled in a box	1 pc.	1000 mm	2000 mm	400111638209 3

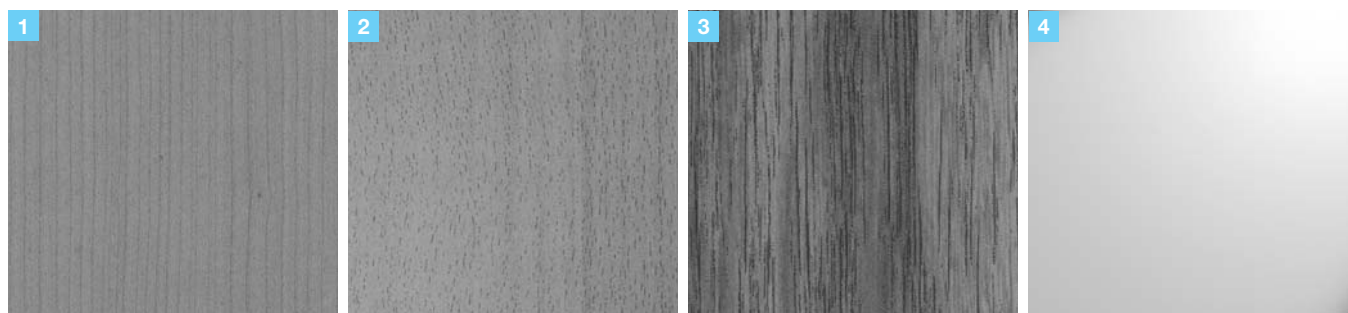
Sheets and accessories



Smooth sheets

Color	Thickness	Packaging	Min.OU	Width	Length	EAN / item no.
1 Aluminium sheet, coated						
marble green	0.8 mm	sealed	5 pcs.	250 mm	500 mm	4001116385148
marble green	0.8 mm	sealed	5 pcs.	200 mm	1000 mm	4001116385117
marble green	0,8 mm	sealed	1 pc.	600 mm	1000 mm	4001116385131
2 Aluminium sheet, coated						
marble carara	0,8 mm	sealed	1 pc.	600 mm	1000 mm	4001116385636
3 Aluminium sheet, coated						
granite-red	0.8 mm	sealed	5 pcs.	250 mm	500 mm	4001116385247
granite-red	0.8 mm	sealed	5 pcs.	200 mm	1000 mm	4001116385216
4 Aluminium sheet, coated						
granite-white	0,8 mm	sealed	1 pc.	250 mm	500 mm	4001116385742

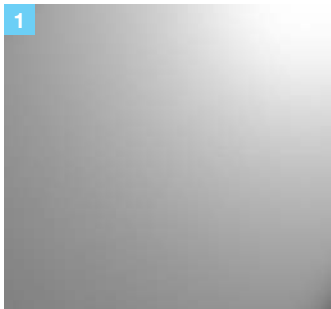
Sheets and accessories



Smooth sheets

Color	Thickness	Packaging	Min.OU	Width	Length	EAN / item no.
1 Aluminium sheet, coated						
maple	0.8 mm	sealed	5 pcs.	250 mm	500 mm	400111638534 6
maple	0.8 mm	sealed	5 pcs.	200 mm	1000 mm	400111638531 5
2 Aluminium sheet, coated						
beech	0.8 mm	sealed	5 pcs.	250 mm	500 mm	400111638544 5
beech	0.8 mm	sealed	5 pcs.	200 mm	1000 mm	400111638541 4
3 Aluminium sheet, coated						
oak	0,8 mm	sealed	1 pc.	600 mm	1000 mm	400111638553 7
4 Aluminium sheet, coated						
white	0.8 mm	sealed	5 pcs.	250 mm	500 mm	400111638504 9
white	0.8 mm	sealed	5 pcs.	300 mm	1000 mm	400111638502 5

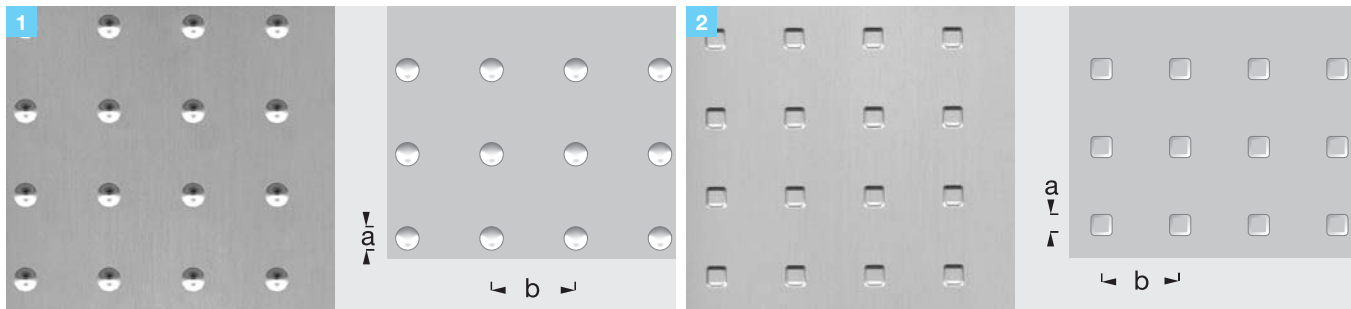
Sheets and accessories



Smooth sheets

Color	Thickness	Packaging	Min.OU	Width	Length	EAN / item no.
1 Galvanized steel sheet						
galvanized	0.5 mm	loose	5 pcs.	250 mm	500 mm	4001116380549
galvanized	0.5 mm	loose	5 pcs.	120 mm	1000 mm	4001116380501
galvanized	0.5 mm	loose	5 pcs.	200 mm	1000 mm	4001116380518
galvanized	0.5 mm	loose	5 pcs.	300 mm	1000 mm	4001116380525
galvanized	0.5 mm	loose	5 pcs.	600 mm	1000 mm	4001116380532
galvanized	0,5 mm	loose	5 pcs.	1000 mm	2000 mm	4001116380594
1 Raw steel sheet						
raw	0.75 mm	sealed	5 pcs.	250 mm	500 mm	4001116381041
raw	0.75 mm	sealed	5 pcs.	120 mm	1000 mm	4001116381003
raw	0.75 mm	sealed	5 pcs.	200 mm	1000 mm	4001116381010
raw	0.75 mm	sealed	5 pcs.	300 mm	1000 mm	4001116381027
raw	0.75 mm	sealed	5 pcs.	600 mm	1000 mm	4001116381034
raw	0,75 mm	loose	5 pcs.	1000 mm	2000 mm	4001116381096
1 Copper sheet, solid						
copper	0.5 mm	sealed	5 pcs.	250 mm	500 mm	4001116381546
copper	0.5 mm	sealed	5 pcs.	120 mm	1000 mm	4001116381508
copper	0.5 mm	sealed	5 pcs.	200 mm	1000 mm	4001116381515
copper	0.5 mm	sealed	5 pcs.	300 mm	1000 mm	4001116381522
copper	0.5 mm	sealed	5 pcs.	600 mm	1000 mm	4001116381539
1 Stainless steel sheet						
stainless steel	0,5 mm	sealed	2 pcs.	250 mm	500 mm	4001116382543
stainless steel	0,5 mm	sealed	2 pcs.	120 mm	1000 mm	4001116382505
stainless steel	0,5 mm	sealed	2 pcs.	200 mm	1000 mm	4001116382512
stainless steel	0,5 mm	sealed	2 pcs.	300 mm	1000 mm	4001116382529
stainless steel	0,5 mm	sealed	2 pcs.	600 mm	1000 mm	4001116382536

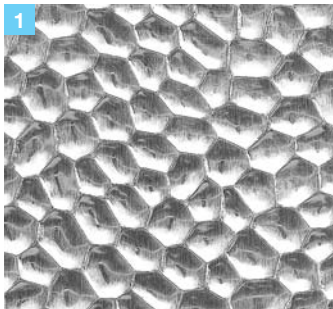
Sheets and accessories



Embossed sheets

Color	Thickness	Dim. a	Dim. b	Packaging	Min.OU	Width	Length	EAN / item no.
1 Round studded sheet in anodized aluminium								
silver, polished	0.7 mm	10.0 mm	40.0 mm	sealed	5 pcs.	240 mm	480 mm	4001116379147
silver, polished	0.7 mm	10.0 mm	40.0 mm	sealed	5 pcs.	120 mm	1000 mm	4001116379109
silver, polished	0.7 mm	10.0 mm	40.0 mm	sealed	5 pcs.	200 mm	1000 mm	4001116379116
silver, polished	0.7 mm	10.0 mm	40.0 mm	sealed	5 pcs.	280 mm	1000 mm	4001116379123
silver, polished	0.7 mm	10.0 mm	40.0 mm	sealed	5 pcs.	600 mm	1000 mm	4001116379130
2 Square studded sheet in anodized aluminium								
silver, polished	0.7 mm	10.0 mm	40.0 mm	sealed	5 pcs.	240 mm	480 mm	4001116379642
silver, polished	0.7 mm	10.0 mm	40.0 mm	sealed	5 pcs.	120 mm	1000 mm	4001116379604
silver, polished	0.7 mm	10.0 mm	40.0 mm	sealed	5 pcs.	200 mm	1000 mm	4001116379611
silver, polished	0.7 mm	10.0 mm	40.0 mm	sealed	5 pcs.	280 mm	1000 mm	4001116379628
silver, polished	0.7 mm	10.0 mm	40.0 mm	sealed	5 pcs.	600 mm	1000 mm	4001116379635

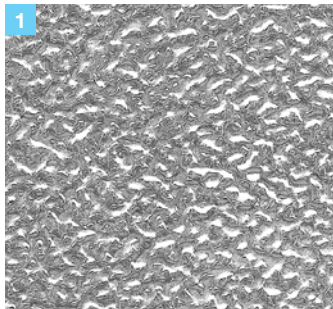
Sheets and accessories



Embossed sheets

Color	Thickness	Packaging	Min.OU	Width	Length	EAN / item no.
1 Hammer effect sheet, uncoated aluminium						
uncoated	0.5 mm	loose	5 pcs.	250 mm	500 mm	4001116371042
uncoated	0.5 mm	loose	5 pcs.	120 mm	1000 mm	4001116371004
uncoated	0.5 mm	loose	5 pcs.	200 mm	1000 mm	4001116371011
uncoated	0.5 mm	loose	5 pcs.	300 mm	1000 mm	4001116371028
uncoated	0.5 mm	loose	5 pcs.	600 mm	1000 mm	4001116371035
uncoated	0,5 mm	loose	1 pc.	1000 mm	2000 mm	4001116371097
1 Hammer effect sheet, anodized aluminium						
brass	0.5 mm	loose	5 pcs.	250 mm	500 mm	4001116371240
brass	0.5 mm	loose	5 pcs.	120 mm	1000 mm	4001116371202
brass	0.5 mm	loose	5 pcs.	200 mm	1000 mm	4001116371219
brass	0.5 mm	loose	5 pcs.	300 mm	1000 mm	4001116371226
brass	0.5 mm	loose	5 pcs.	600 mm	1000 mm	4001116371233
bronze	0.5 mm	loose	5 pcs.	250 mm	500 mm	4001116371349
bronze	0.5 mm	loose	5 pcs.	120 mm	1000 mm	4001116371301
bronze	0.5 mm	loose	5 pcs.	200 mm	1000 mm	4001116371318
bronze	0.5 mm	loose	5 pcs.	300 mm	1000 mm	4001116371325
bronze	0.5 mm	loose	5 pcs.	600 mm	1000 mm	4001116371332
copper	0.5 mm	loose	5 pcs.	250 mm	500 mm	4001116371448
copper	0.5 mm	loose	5 pcs.	120 mm	1000 mm	4001116371400
copper	0.5 mm	loose	5 pcs.	200 mm	1000 mm	4001116371417
copper	0.5 mm	loose	5 pcs.	300 mm	1000 mm	4001116371424
copper	0.5 mm	loose	5 pcs.	600 mm	1000 mm	4001116371431
copper	0,5 mm	rolled in a box	1 pc.	1000 mm	2000 mm	4001116371493

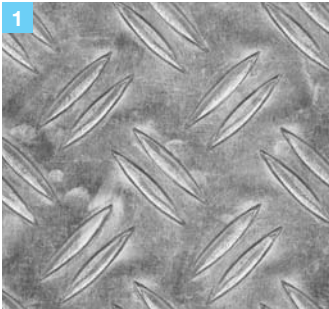
Sheets and accessories



Embossed sheets

Color	Thickness	Packaging	Min.OU	Width	Length	EAN / item no.
1 Roughcast sheet, uncoated aluminium						
uncoated	0.8 mm	loose	5 pcs.	250 mm	500 mm	4001116 37054 0
uncoated	0.8 mm	loose	5 pcs.	120 mm	1000 mm	4001116 37050 2
uncoated	0.8 mm	loose	5 pcs.	200 mm	1000 mm	4001116 37051 9
uncoated	0.8 mm	loose	5 pcs.	300 mm	1000 mm	4001116 37052 6
uncoated	0.8 mm	loose	5 pcs.	600 mm	1000 mm	4001116 37053 3
uncoated	0,5 mm	loose	1 pc.	1000 mm	2000 mm	4001116 37059 5
1 Roughcast sheet, anodized aluminium						
brass	0.8 mm	loose	5 pcs.	250 mm	500 mm	4001116 37074 8
brass	0.8 mm	loose	5 pcs.	120 mm	1000 mm	4001116 37070 0
brass	0.8 mm	loose	5 pcs.	200 mm	1000 mm	4001116 37071 7
brass	0.8 mm	loose	5 pcs.	300 mm	1000 mm	4001116 37072 4
brass	0.8 mm	loose	5 pcs.	600 mm	1000 mm	4001116 37073 1
bronze	0.8 mm	loose	5 pcs.	250 mm	500 mm	4001116 37084 7
bronze	0.8 mm	loose	5 pcs.	120 mm	1000 mm	4001116 37080 9
bronze	0.8 mm	loose	5 pcs.	200 mm	1000 mm	4001116 37081 6
bronze	0.8 mm	loose	5 pcs.	300 mm	1000 mm	4001116 37082 3
bronze	0.8 mm	loose	5 pcs.	600 mm	1000 mm	4001116 37083 0

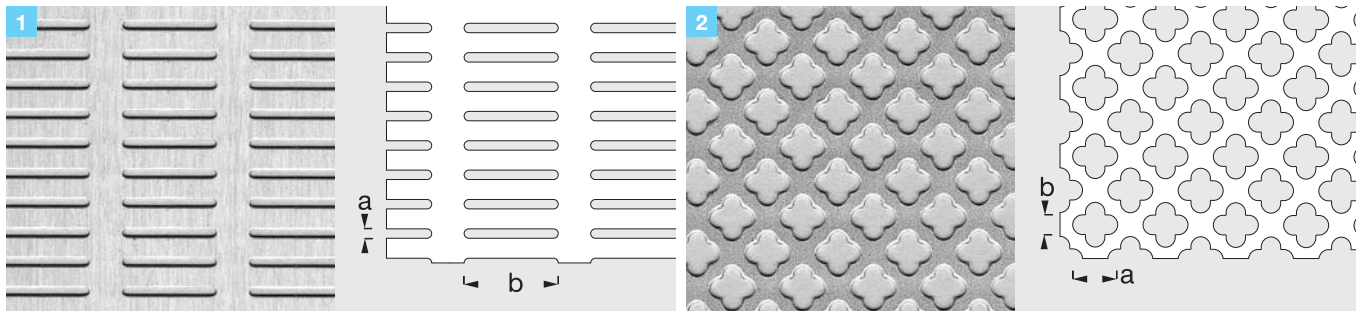
Sheets and accessories



Embossed sheets

Color	Thickness min. / max.	Packaging	Min.OU	Width	Length	EAN / item no.
1 Checker plate, uncoated aluminium						
uncoated	1.5 mm/2.0 mm	loose	5 pcs.	250 mm	500 mm	4001116371547
uncoated	1.5 mm/2.0 mm	loose	5 pcs.	120 mm	1000 mm	4001116371509
uncoated	1.5 mm/2.0 mm	loose	5 pcs.	200 mm	1000 mm	4001116371516
uncoated	1.5 mm/2.0 mm	loose	5 pcs.	300 mm	1000 mm	4001116371523
uncoated	1.5 mm/2.0 mm	loose	5 pcs.	600 mm	1000 mm	4001116371530
uncoated	1.5 mm/2.0 mm	loose	5 pcs.	400 mm	2000 mm	4001116371554
uncoated	1.5 mm/2.0 mm	loose	5 pcs.	600 mm	2000 mm	4001116371561
uncoated	1,5 mm/2,0 mm	loose	1 pc.	1000 mm	2000 mm	4001116371592
uncoated	2.5 mm/3.5 mm	loose	5 pcs.	300 mm	1000 mm	4001116371721
uncoated	2.5 mm/3.5 mm	loose	5 pcs.	600 mm	1000 mm	4001116371738
uncoated	2.5 mm/3.5 mm	loose	5 pcs.	400 mm	2000 mm	4001116371752
uncoated	2.5 mm/3.5 mm	loose	5 pcs.	600 mm	2000 mm	4001116371769
uncoated	2,5 mm/3,5 mm	loose	1 pc.	1000 mm	2000 mm	4001116375095

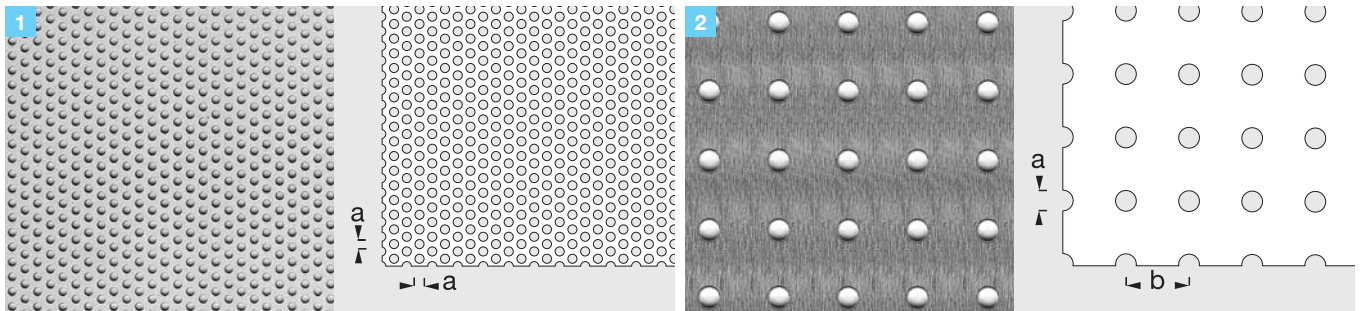
Sheets and accessories



Perforated sheets

Color	Thickness	Dim. a	Dim. b	Packaging	Min.OU	Width	Length	EAN / item no.
1 Slotted hole sheet in anodized aluminium								
silver	0.7 mm	1.5 mm	20.0 mm	sealed	5 pcs.	250 mm	500 mm	4001116372643
silver	0.7 mm	1.5 mm	20.0 mm	sealed	5 pcs.	120 mm	1000 mm	4001116372605
silver	0.7 mm	1.5 mm	20.0 mm	sealed	5 pcs.	200 mm	1000 mm	4001116372612
silver	0.7 mm	1.5 mm	20.0 mm	sealed	5 pcs.	300 mm	1000 mm	4001116372629
silver	0.7 mm	1.5 mm	20.0 mm	sealed	5 pcs.	600 mm	1000 mm	4001116372636
2 Cross hole sheet in anodized aluminium								
silver	0.7 mm	7.0 mm	3.0 mm	sealed	5 pcs.	250 mm	500 mm	4001116372148
silver	0.7 mm	7.0 mm	3.0 mm	sealed	5 pcs.	120 mm	1000 mm	4001116372100
silver	0.7 mm	7.0 mm	3.0 mm	sealed	5 pcs.	200 mm	1000 mm	4001116372117
silver	0.7 mm	7.0 mm	3.0 mm	sealed	5 pcs.	300 mm	1000 mm	4001116372124
silver	0.7 mm	7.0 mm	3.0 mm	sealed	5 pcs.	600 mm	1000 mm	4001116372131

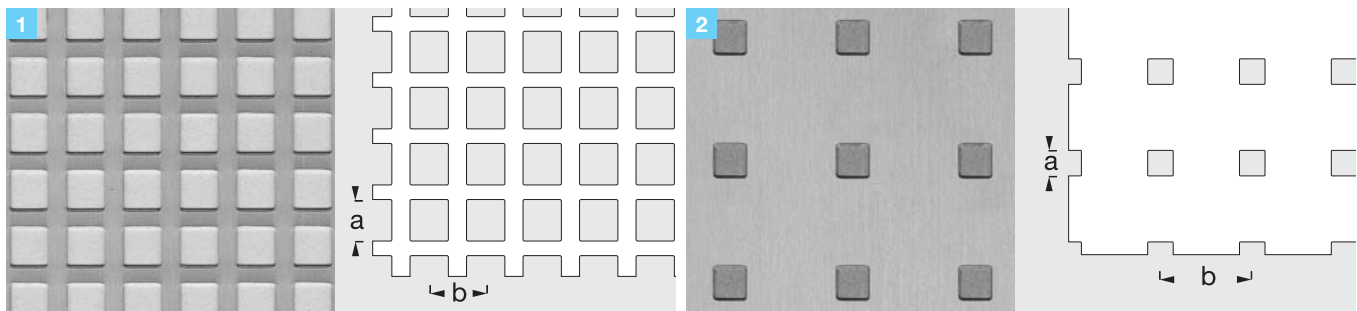
Sheets and accessories



Perforated sheets

Color	Thickness	Dim. a	Dim. b	Packaging	Min.OU	Width	Length	EAN / item no.
1 Round hole sheet in anodized aluminium								
silver	0.7 mm	1.5 mm		sealed	5 pcs.	250mm	500 mm	4001116373640
silver	0.7 mm	1.5 mm		sealed	5 pcs.	120 mm	1000 mm	4001116373602
silver	0.7 mm	1.5 mm		sealed	5 pcs.	200 mm	1000 mm	4001116373619
silver	0.7 mm	1.5 mm		sealed	5 pcs.	300 mm	1000 mm	4001116373626
silver	0.7 mm	1.5 mm		sealed	5 pcs.	600 mm	1000 mm	4001116373633
silver	0,7 mm	1,5 mm		loose	1 pc.	1000mm	2000 mm	4001116373695
silver	0.7 mm	4.0 mm		sealed	5 pcs.	250 mm	500 mm	4001116374142
silver	0.7 mm	4.0 mm		sealed	5 pcs.	120 mm	1000 mm	4001116374104
silver	0.7 mm	4.0 mm		sealed	5 pcs.	200 mm	1000 mm	4001116374111
silver	0.7 mm	4.0 mm		sealed	5 pcs.	300 mm	1000 mm	4001116374128
silver	0.7 mm	4.0 mm		sealed	5 pcs.	600 mm	1000 mm	4001116374135
2 Round hole sheet in uncoated aluminium								
uncoated	1.5 mm	4.5 mm	15.0 mm	sealed	5 pcs.	250 mm	500 mm	4001116378041
uncoated	1.5 mm	4.5 mm	15.0 mm	sealed	5 pcs.	120 mm	1000 mm	4001116378003
uncoated	1.5 mm	4.5 mm	15.0 mm	sealed	5 pcs.	200 mm	1000 mm	4001116378010
uncoated	1.5 mm	4.5 mm	15.0 mm	sealed	5 pcs.	300 mm	1000 mm	4001116378027
uncoated	1.5 mm	4.5 mm	15.0 mm	sealed	5 pcs.	600 mm	1000 mm	4001116378034
uncoated	1,5 mm	4,5 mm	15,0 mm	loose	5 pcs.	1000mm	2000 mm	4001116378096
2 Round hole sheet in galvanized steel								
galvanized	1.5 mm	4.5 mm	15.0 mm	loose	5 pcs.	250 mm	500 mm	4001116378546
galvanized	1.5 mm	4.5 mm	15.0 mm	loose	5 pcs.	120 mm	1000 mm	4001116378508
galvanized	1.5 mm	4.5 mm	15.0 mm	loose	5 pcs.	200 mm	1000 mm	4001116378515
galvanized	1.5 mm	4.5 mm	15.0 mm	loose	5 pcs.	300 mm	1000 mm	4001116378522
galvanized	1.5 mm	4.5 mm	15.0 mm	loose	5 pcs.	600 mm	1000 mm	4001116378539
galvanized	1,5 mm	4,5 mm	15,0 mm	loose	5 pcs.	1000mm	2000 mm	4001116378591

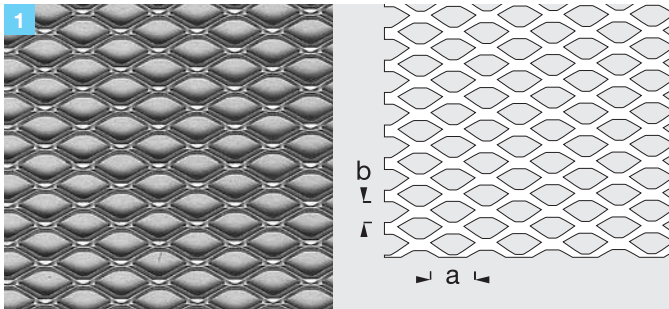
Sheets and accessories



Perforated sheets

Color	Thickness	Dim. a	Dim. b	Packaging	Min.OU	Width	Length	EAN / item no.
1 Square hole sheet in anodized aluminium								
silver	0.7 mm	8.0 mm	12.0 mm	sealed	5 pcs.	250 mm	500 mm	4001116 373145
silver	0.7 mm	8.0 mm	12.0 mm	sealed	5 pcs.	120 mm	1000 mm	4001116 373107
silver	0.7 mm	8.0 mm	12.0 mm	sealed	5 pcs.	200 mm	1000 mm	4001116 373114
silver	0.7 mm	8.0 mm	12.0 mm	sealed	5 pcs.	300 mm	1000 mm	4001116 373121
silver	0.7 mm	8.0 mm	12.0 mm	sealed	5 pcs.	600 mm	1000 mm	4001116 373138
2 Square hole sheet in anodized aluminium								
silver, polished	0.7 mm	10.0 mm	40.0 mm	sealed	5 pcs.	240 mm	480 mm	4001116 380143
silver, polished	0.7 mm	10.0 mm	40.0 mm	sealed	5 pcs.	120 mm	1000 mm	4001116 380105
silver, polished	0.7 mm	10.0 mm	40.0 mm	sealed	5 pcs.	200 mm	1000 mm	4001116 380112
silver, polished	0.7 mm	10.0 mm	40.0 mm	sealed	5 pcs.	280 mm	1000 mm	4001116 380129
silver, polished	0.7 mm	10.0 mm	40.0 mm	sealed	5 pcs.	600 mm	1000 mm	4001116 380136

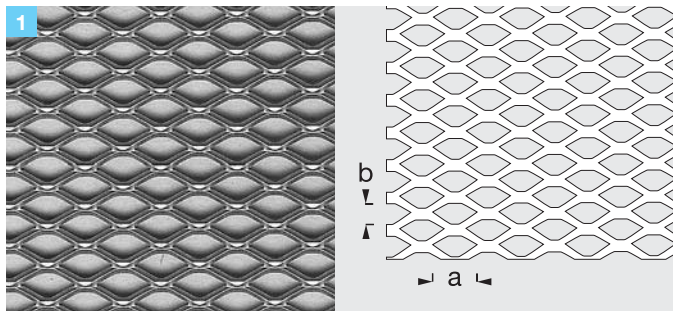
Sheets and accessories



Stretch sheets

Color	Thickness	Dim. a	Dim. b	Packaging	Min.OU	Width	Length	EAN / item no.
1 Stretch metal in uncoated aluminium								
uncoated	1.6 mm	10.0 mm	5.0 mm	sealed	5 pcs.	250 mm	500 mm	4001116374647
uncoated	1.6 mm	10.0 mm	5.0 mm	sealed	5 pcs.	120 mm	1000 mm	4001116374609
uncoated	1.6 mm	10.0 mm	5.0 mm	sealed	5 pcs.	200 mm	1000 mm	4001116374616
uncoated	1.6 mm	10.0 mm	5.0 mm	sealed	5 pcs.	300 mm	1000 mm	4001116374623
uncoated	1.6 mm	10.0 mm	5.0 mm	sealed	5 pcs.	600 mm	1000 mm	4001116374630
uncoated	1,6 mm	10,0 mm	5,0 mm	rolled in a box	1 pc.	1000 mm	2000 mm	4001116374692
1 Stretch metal in anodized aluminium								
brass	1.6 mm	10.0 mm	5.0 mm	sealed	5 pcs.	250 mm	500 mm	4001116374746
brass	1.6 mm	10.0 mm	5.0 mm	sealed	5 pcs.	120 mm	1000 mm	4001116374708
brass	1.6 mm	10.0 mm	5.0 mm	sealed	5 pcs.	200 mm	1000 mm	4001116374715
brass	1.6 mm	10.0 mm	5.0 mm	sealed	5 pcs.	300 mm	1000 mm	4001116374722
brass	1.6 mm	10.0 mm	5.0 mm	sealed	5 pcs.	600 mm	1000 mm	4001116374739
brass	1,6 mm	10,0 mm	5,0 mm	rolled in a box	1 pc.	1000 mm	2000 mm	4001116374791
1 Stretch metal in coated aluminium								
red	1,6 mm	10,0 mm	5,0 mm	sealed	2 pcs.	250 mm	500 mm	4001116374845
red	1,6 mm	10,0 mm	5,0 mm	sealed	2 pcs.	200 mm	1000 mm	4001116374814
red	1,6 mm	10,0 mm	5,0 mm	sealed	2 pcs.	600 mm	1000 mm	4001116374838
blue	1,6 mm	10,0 mm	5,0 mm	sealed	2 pcs.	250 mm	500 mm	4001116374944
blue	1,6 mm	10,0 mm	5,0 mm	sealed	2 pcs.	200 mm	1000 mm	4001116374913
blue	1,6 mm	10,0 mm	5,0 mm	sealed	2 pcs.	600 mm	1000 mm	4001116374937
yellow	1,6 mm	10,0 mm	5,0 mm	sealed	2 pcs.	250 mm	500 mm	4001116375149
yellow	1,6 mm	10,0 mm	5,0 mm	sealed	2 pcs.	200 mm	1000 mm	4001116375118
yellow	1,6 mm	10,0 mm	5,0 mm	sealed	2 pcs.	600 mm	1000 mm	4001116375132
black	1,6 mm	10,0 mm	5,0 mm	sealed	2 pcs.	250 mm	500 mm	4001116375248
black	1,6 mm	10,0 mm	5,0 mm	sealed	2 pcs.	200 mm	1000 mm	4001116375217
black	1,6 mm	10,0 mm	5,0 mm	sealed	2 pcs.	600 mm	1000 mm	4001116375231

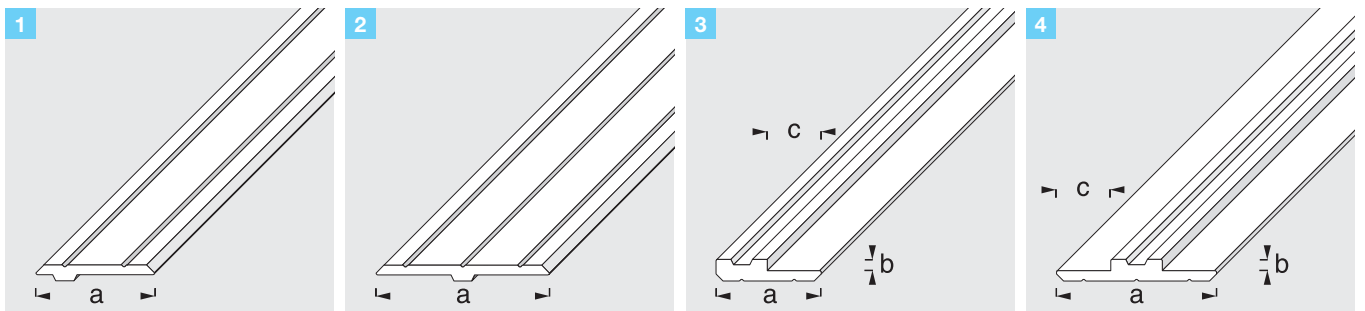
Sheets and accessories



Stretch sheets

Color	Thickness	Dim. a	Dim. b	Packaging	Min.OU	Width	Length	EAN / item no.
1 Stretch metal in raw steel								
raw	1.2 mm	6.0 mm	3.5 mm	sealed	5 pcs.	250 mm	500 mm	4001116 37604 7
raw	1.2 mm	6.0 mm	3.5 mm	sealed	5 pcs.	120 mm	1000 mm	4001116 37600 9
raw	1.2 mm	6.0 mm	3.5 mm	sealed	5 pcs.	200 mm	1000 mm	4001116 37601 6
raw	1.2 mm	6.0 mm	3.5 mm	sealed	5 pcs.	300 mm	1000 mm	4001116 37602 3
raw	1.2 mm	6.0 mm	3.5 mm	sealed	5 pcs.	600 mm	1000 mm	4001116 37603 0
raw	2.2 mm	10.0 mm	5.8 mm	sealed	5 pcs.	600 mm	1000 mm	4001116 37653 5
raw	2.2 mm	10.0 mm	5.8 mm	sealed	5 pcs.	120 mm	1000 mm	4001116 37650 4
raw	2.2 mm	10.0 mm	5.8 mm	sealed	5 pcs.	200 mm	1000 mm	4001116 37651 1
raw	2.2 mm	10.0 mm	5.8 mm	sealed	5 pcs.	300 mm	1000 mm	4001116 37652 8
raw	2.2 mm	10.0 mm	5.8 mm	sealed	5 pcs.	250 mm	500 mm	4001116 37654 2
raw	2.8 mm	16.0 mm	8.0 mm	sealed	5 pcs.	250 mm	500 mm	4001116 37704 4
raw	2.8 mm	16.0 mm	8.0 mm	sealed	5 pcs.	120 mm	1000 mm	4001116 37700 6
raw	2.8 mm	16.0 mm	8.0 mm	sealed	5 pcs.	200 mm	1000 mm	4001116 37701 3
raw	2.8 mm	16.0 mm	8.0 mm	sealed	5 pcs.	300 mm	1000 mm	4001116 37702 0
raw	2.8 mm	16.0 mm	8.0 mm	sealed	5 pcs.	600 mm	1000 mm	4001116 37703 7

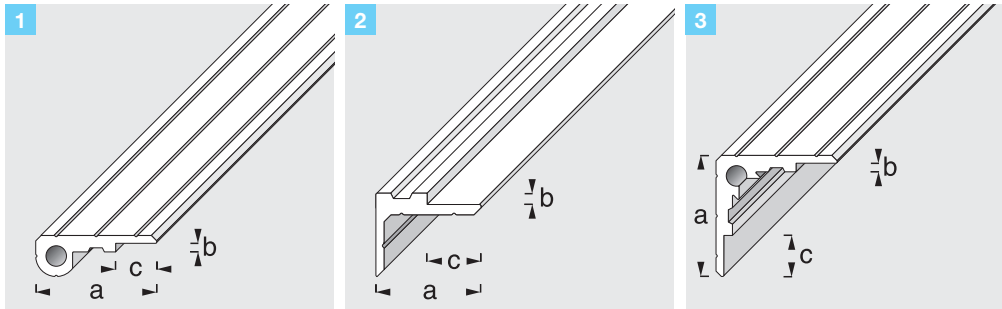
Sheets and accessories



Prismatech

Color	Dim. a	Dim. b	Dim. c	Packaging	Min.OU	Length: 1.00 m EAN / item no.
1 Covering profile one side, aluminium						
uncoated	19.5 mm			loose	5 pcs.	4001116 270406
2 Covering profile two side, aluminium						
uncoated	29.5 mm			loose	5 pcs.	4001116 270604
3 Support profiles, one-sided, aluminium						
uncoated	19.5 mm	1.2 mm	10.0 mm	loose	5 pcs.	4001116 270802
uncoated	19.5 mm	2.1 mm	10.0 mm	loose	5 pcs.	4001116 271809
uncoated	19.5 mm	3.1 mm	10.0 mm	loose	5 pcs.	4001116 272806
4 Support profiles, two-sided aluminium						
uncoated	29.5 mm	1.2 mm	10.0 mm	loose	5 pcs.	4001116 271007
uncoated	29.5 mm	2.1 mm	10.0 mm	loose	5 pcs.	4001116 272004
uncoated	29.5 mm	3.1 mm	10.0 mm	loose	5 pcs.	4001116 273001

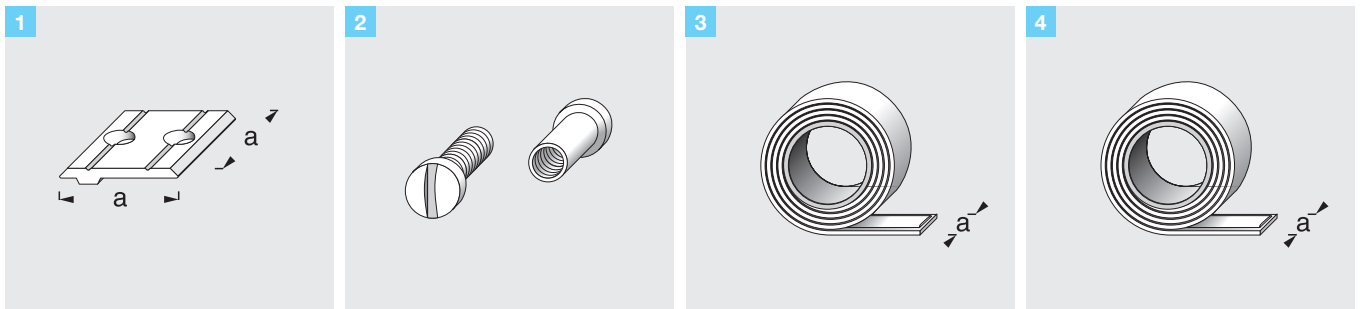
Sheets and accessories



Prismatech

Color	Dim. a	Dim. b	Dim. c	Packaging	Min.OU	Length: 1.00 m EAN / item no.
1 Hinge profile in aluminium						
uncoated	29.5 mm	1.2 mm	10.0 mm	loose	5 pcs.	400111627160 1
uncoated	29.5 mm	2.1 mm	10.0 mm	loose	5 pcs.	400111627260 8
uncoated	29.5 mm	3.1 mm	10.0 mm	loose	5 pcs.	400111627360 5
2 Angle profiles, one side, aluminium						
uncoated	19.5 mm	1.2 mm	10.0 mm	loose	5 pcs.	400111627140 3
uncoated	19.5 mm	2.1 mm	10.0 mm	loose	5 pcs.	400111627240 0
uncoated	19.5 mm	3.1 mm	10.0 mm	loose	5 pcs.	400111627340 7
3 Angle profiles, two sides, aluminium						
uncoated	29.5 mm	1.2 mm	10.0 mm	loose	5 pcs.	400111627120 5
uncoated	29.5 mm	2.1 mm	10.0 mm	loose	5 pcs.	400111627220 2
uncoated	29.5 mm	3.1 mm	10.0 mm	loose	5 pcs.	400111627320 9

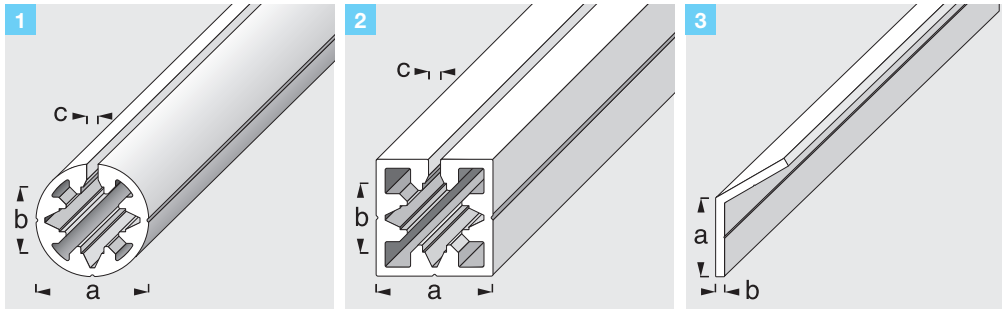
Sheets and accessories



Primatech

Color	Dim. a	Packaging	Min.OU	EAN / item no.
1 Covering profile one side, aluminium, vibratory finishing				
vibratory finishing	19.5 mm	SS bag containing 8 pcs.	5 pcs.	4001116270420
2 Primatech sleeve nut kit, uncoated aluminium: 4 pcs. M 3 slotted sleeve nuts 6 x 7.0 mm, 6x 7.9 mm und 6x 9.4 mm 4 pcs. M 3 slotted screws 6 x 6.4 mm, 6x 7.3 mm and 6x 8.8 mm				
uncoated		SS bag	5 pcs.	4001116304200
3 Double adhesive tape with intermediate support				
	8.0 mm	SS bag containing 25.00 m	5 pcs.	4001116306938
4 Adhesive cord, strapless, with covering tape				
	10.0 mm	SS bag containing 5.00 m	5 pcs.	4001116306914

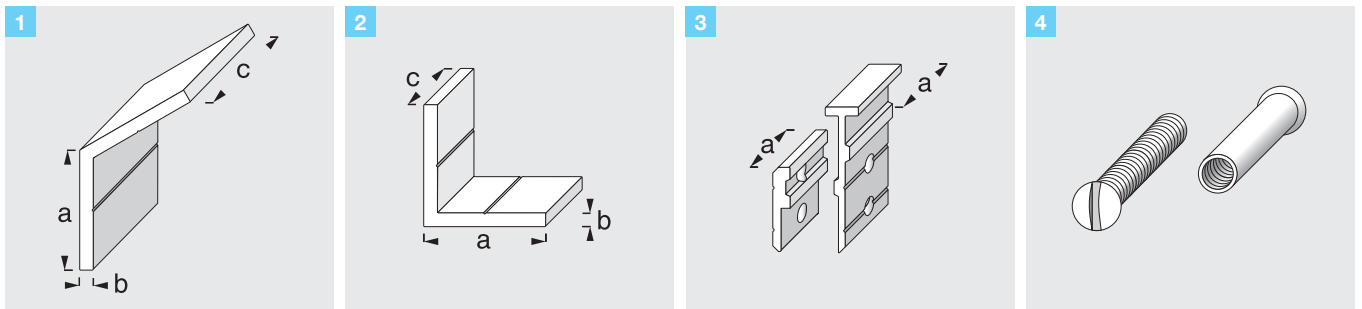
Sheets and accessories



Multitube

Color	Dim. a	Dim. b	Dim. c	Packaging	Min.OU.	Length: 1.00 m	Length: 2.50 m
						EAN / item no.	EAN / item no.
1 Round tube in uncoated aluminium							
uncoated	19.5 mm	11.5 mm	1.0 mm	loose	5 pcs.	4001116 275005	4001116 275012
uncoated	23.5 mm	14.5 mm	1.5 mm	loose	5 pcs.	4001116 275203	4001116 275210
uncoated	29.5 mm	19.5 mm	1.5 mm	loose	5 pcs.	4001116 275401	4001116 275418
2 Square tube in uncoated aluminium							
uncoated	19.5 mm	11.5 mm	1.0 mm	loose	5 pcs.	4001116 275609	4001116 275616
uncoated	23.5 mm	14.5 mm	1.5 mm	loose	5 pcs.	4001116 275807	4001116 275814
uncoated	29.5 mm	19.5 mm	1.5 mm	loose	5 pcs.	4001116 276002	4001116 276019
3 Angle, equal-sided 120° in uncoated aluminium							
uncoated	15.5 mm	1.5 mm		loose	5 pcs.	4001116 279508	

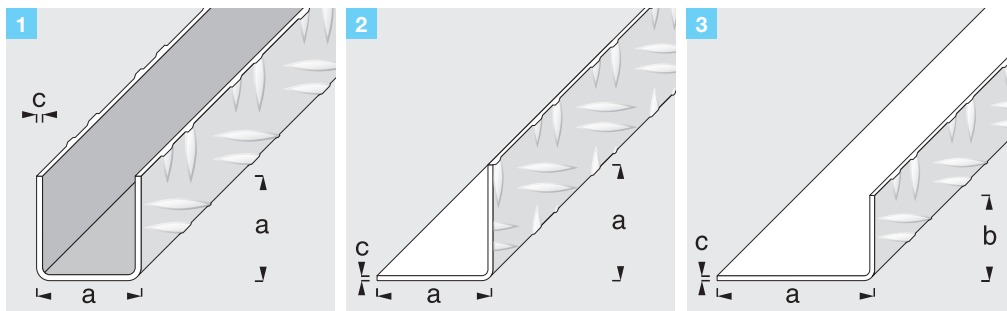
Sheets and accessories



Multitube

Color	Dim. a	Dim. b	Dim. c	Packaging	Min.OU	EAN / item no.
1 Corner angle 120° set, aluminium: 8 pcs. corner angles and 2 pcs. matching m 5 set screws each						
vibratory finishing	35.5 mm	4.0 mm	11.5 mm	SS bag	5 pcs.	4001116278228
vibratory finishing	35.5 mm	4.0 mm	14.5 mm	SS bag	5 pcs.	4001116278235
vibratory finishing	35.5 mm	4.0 mm	19.5 mm	SS bag	5 pcs.	4001116278242
2 Corner angle 90° set, aluminium: 4 pcs. corner angles and 2 pcs. matching m 5 set screws each						
vibratory finishing	35.5 mm	4.0 mm	11.5 mm	SS bag	5 pcs.	4001116278020
vibratory finishing	35.5 mm	4.0 mm	14.5 mm	SS bag	5 pcs.	4001116278037
vibratory finishing	35.5 mm	4.0 mm	19.5 mm	SS bag	5 pcs.	4001116278044
3 Hanging kit, aluminium: 4 pcs. Multitube suspensions and 4 pcs. prism supports each 1.2 mm, 2.1 mm and 3.1 mm						
vibratory finishing	23.5 mm			SS bag	5 pcs.	4001116277429
4 Mutlitube sleeve nut kit, galvanized: 4 pcs. M 4 slotted sleeve nuts 13.5 mm, 4 pcs. M 4 slotted countersunk head screw 12.0 mm, 16.0 mm and 25.0 mm						
galvanized				SS bag	5 pcs.	4001116304101

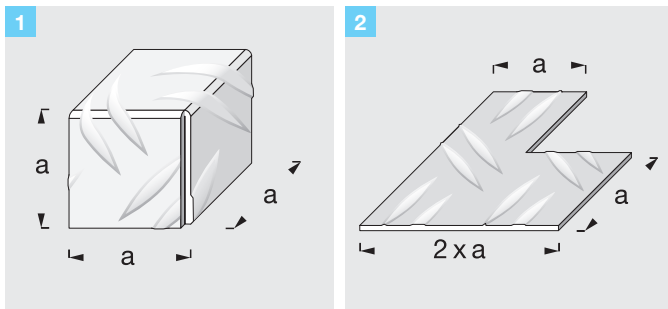
Sheets and accessories



Checker plate profiles

Color	Dim. a	Dim. b	Dim. c min./max.	Packaging	Min.OU	Length: 1.00 m	Length: 2.50 m
						EAN / item no.	EAN / item no.
1 Square U, uncoated aluminium							
uncoated	23.5 mm		1.5 mm/2.0 mm	loose	5 pcs.	4001116 27920 1	4001116 27921 8
uncoated	29.5 mm		1.5 mm/2.0 mm	loose	5 pcs.	4001116 27930 0	4001116 27931 7
uncoated	35.5 mm		1.5 mm/2.0 mm	loose	5 pcs.	4001116 27940 9	4001116 27941 6
2 Angle, equal-sided in uncoated aluminium							
uncoated	23.5 mm		1.5 mm/2.0 mm	loose	5 pcs.	4001116 27840 2	4001116 27841 9
uncoated	29.5 mm		1.5 mm/2.0 mm	loose	5 pcs.	4001116 27850 1	4001116 27851 8
uncoated	35.5 mm		1.5 mm/2.0 mm	loose	5 pcs.	4001116 27860 0	4001116 27861 7
uncoated	41.2 mm		1.5 mm/2.0 mm	loose	5 pcs.	4001116 27870 9	4001116 27871 6
uncoated	46.9 mm		1.5 mm/2.0 mm	loose	5 pcs.	4001116 27880 8	4001116 27881 5
3 Angle, unequal-sided in uncoated aluminium							
uncoated	43.5 mm	23.5 mm	1.5 mm/2.0 mm	loose	5 pcs.	4001116 27890 7	4001116 27891 4
uncoated	53.6 mm	29.5 mm	1.5 mm/2.0 mm	loose	5 pcs.	4001116 27900 3	4001116 27901 0
uncoated	65.6 mm	35.5 mm	1.5 mm/2.0 mm	loose	5 pcs.	4001116 27910 2	4001116 27911 9

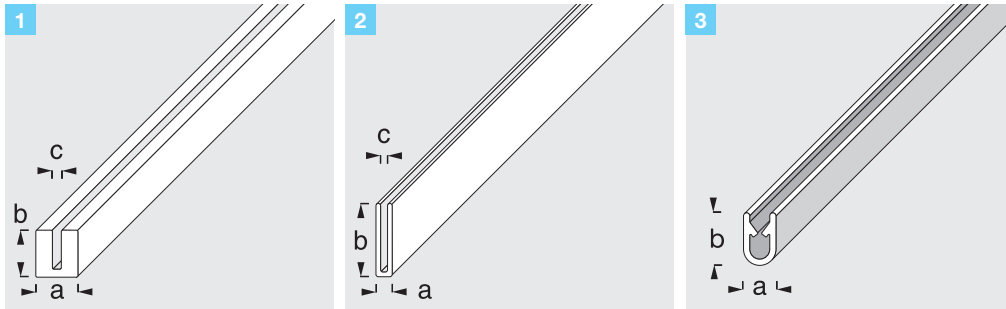
Sheets and accessories



Checker plate profiles

Color	Dim. a	Thickness min. / max.	Packaging	Min.OU	EAN / item no.
1 Case corner, uncoated aluminium					
uncoated	23.5 mm	1.5 mm / 2.0 mm	SS bag containing 4 pcs.	5 pcs.	4001116 304002
uncoated	29.5 mm	1.5 mm / 2.0 mm	SS bag containing 4 pcs.	5 pcs.	4001116 304019
uncoated	35.5 mm	1.5 mm / 2.0 mm	SS bag containing 4 pcs.	5 pcs.	4001116 304026
uncoated	41.2 mm	1.5 mm / 2.0 mm	SS bag containing 4 pcs.	5 pcs.	4001116 304033
uncoated	46.9 mm	1.5 mm / 2.0 mm	SS bag containing 4 pcs.	5 pcs.	4001116 304040
2 Gusset, uncoated aluminium					
uncoated	23.5 mm	1.5 mm / 2.0 mm	SS bag containing 4 pcs.	5 pcs.	4001116 304705
uncoated	29.5 mm	1.5 mm / 2.0 mm	SS bag containing 4 pcs.	5 pcs.	4001116 304712
uncoated	35.5 mm	1.5 mm / 2.0 mm	SS bag containing 4 pcs.	5 pcs.	4001116 304729
uncoated	41.2 mm	1.5 mm / 2.0 mm	SS bag containing 4 pcs.	5 pcs.	4001116 304736
uncoated	46.9 mm	1.5 mm / 2.0 mm	SS bag containing 4 pcs.	5 pcs.	4001116 304743

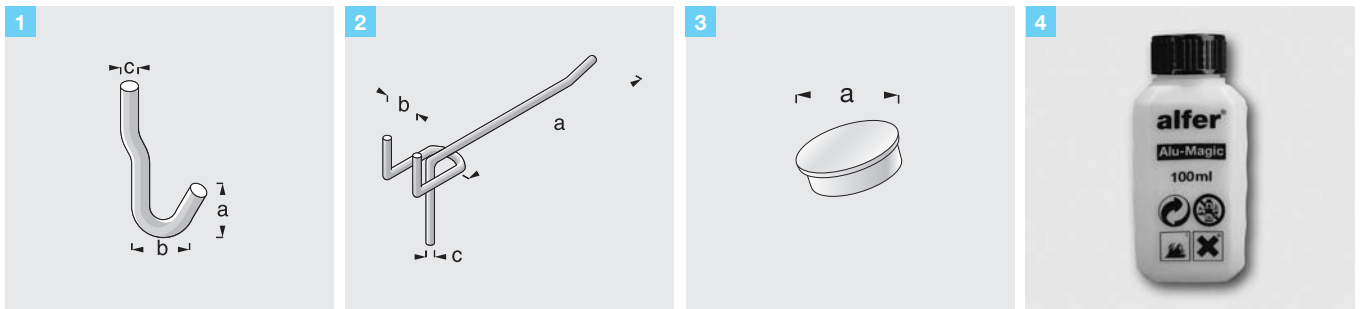
Sheets and accessories



Accessories

Color	Dim. a	Dim. b	Dim. c	Packaging	Min.OU	Length: 2.50 m EAN / item no.
1 Sealing profile, plastic (TPE)						
transparent	5.0 mm	6.0 mm	1.8 mm	SS bag	5 pcs.	4001116304507
transparent	8.5 mm	9.5 mm	1.8 mm	SS bag	5 pcs.	4001116304514
2 Sealing profile, plastic (TPE)						
transparent	2.1 mm	9.5 mm	0.9 mm	SS bag	5 pcs.	4001116304521
transparent	3.1 mm	9.5 mm	2.0 mm	SS bag	5 pcs.	4001116304538
3 Edge protecting profile, plastic (PVC with steel-girder frame tape)						
black	10.5 mm	17.0 mm		SS bag	5 pcs.	4001116304545
black	6.5 mm	9.5 mm		SS bag	5 pcs.	4001116304552

Sheets and accessories



Accessories

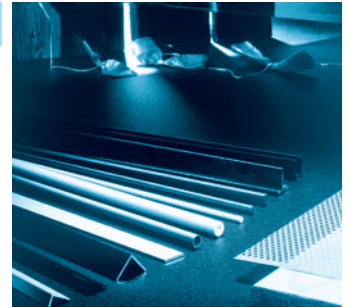
Color	Dim. a	Dim. b	Dim. c	Packaging	Min.OU	EAN / item no.
1 Perforated sheet hooks, small, galvanized						
silver	15.0 mm	15.0 mm	3.4 mm	SS bag containing 6 pcs.	5 pcs.	4001116304606
2 Perforated sheet hooks, large, galvanized						
silver	80.0 mm	15.0 mm	3.4 mm	SS bag containing 6 pcs.	5 pcs.	4001116304613
3 Hard ferrite magnet with plastic case						
white	30.0 mm			SS bag containing 2 pcs.	5 pcs.	4001116306839
4 Polish alu-magic, bottle of 100 ml						
				SS bag	5 pcs.	4001116306877

3



Chapter 3

Profiles for DIY and professional purposes



Standard profiles in anodized aluminium 3.5 – 3.10

Standard profiles in solid brass 3.11 – 3.12

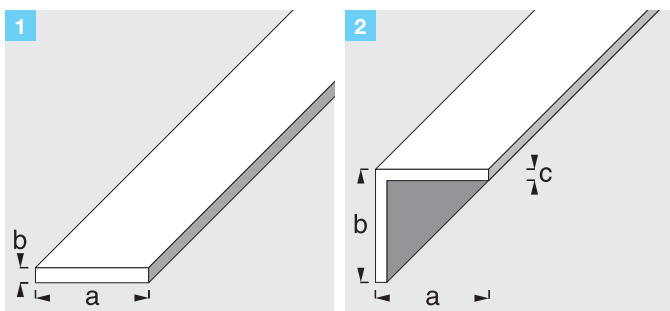
Standard profiles in plastic 3.13 – 3.16

**Standard building profiles
in uncoated aluminium 3.17 – 3.19**

Standard profiles in steel 3.20 – 3.27

Hardware catalogue · 9905 024 · 71708 · 0705

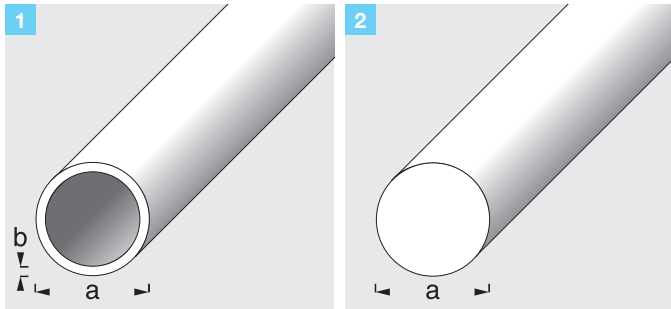
Profiles for DIY and professional purposes



Standard profiles in anodized aluminium

Color	Dim. a	Dim. b	Dim. c	Packaging	Min.OU	Length: 1.00 m	Length: 2.00 m
						EAN / item no.	EAN / item no.
1 Flat bars							
silver	15.0 mm	2.0 mm		loose	5 pcs.	4001116010132	4001116050138
silver	20.0 mm	2.0 mm		loose	5 pcs.	4001116010101	4001116050107
silver	20.0 mm	6.0 mm		loose	5 pcs.	4001116010118	4001116050114
silver	25.0 mm	2.5 mm		loose	5 pcs.	4001116010125	4001116050121
silver	30.0 mm	2.0 mm		loose	5 pcs.	4001116010149	4001116050145
brass	15.0 mm	2.0 mm		loose	5 pcs.	4001116020131	
brass	20.0 mm	2.0 mm		loose	5 pcs.	4001116020100	
brass	25.0 mm	2.5 mm		loose	5 pcs.	4001116020124	
2 Angle, equal-sided							
silver	10.0 mm	10.0 mm	1.0 mm	loose	5 pcs.	4001116010408	4001116050404
silver	15.0 mm	15.0 mm	1.0 mm	loose	5 pcs.	4001116010415	4001116050411
silver	20.0 mm	20.0 mm	1.5 mm	loose	5 pcs.	4001116010422	4001116050428
silver	25.0 mm	25.0 mm	2.0 mm	loose	5 pcs.	4001116010439	4001116050435
silver	30.0 mm	30.0 mm	2.5 mm	loose	5 pcs.	4001116010446	4001116050442
silver	40.0 mm	40.0 mm	3.0 mm	loose	5 pcs.	4001116010453	4001116050459
brass	10.0 mm	10.0 mm	1.0 mm	loose	5 pcs.	4001116020407	4001116060403
brass	15.0 mm	15.0 mm	1.0 mm	loose	5 pcs.	4001116020414	4001116060410
brass	20.0 mm	20.0 mm	1.5 mm	loose	5 pcs.	4001116020421	4001116060427
brass	25.0 mm	25.0 mm	2.0 mm	loose	5 pcs.	4001116020438	4001116060434

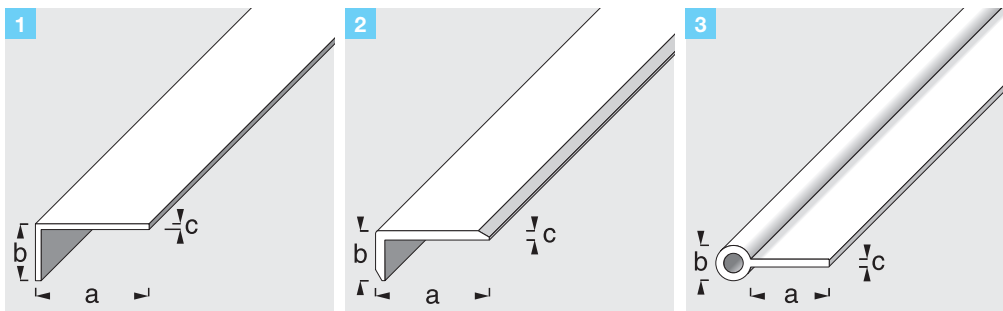
Profiles for DIY and professional purposes



Standard profiles in anodized aluminium

Color	Dim. a	Dim. b	Packaging	Min.OU	Length: 1.00 m	Length: 2.00 m
					EAN / item no.	EAN / item no.
1 Round tubes						
silver	6.0mm	1.0mm	loose	5 pcs.	4001116 010200	4001116 050206
silver	8.0mm	1.0mm	loose	5 pcs.	4001116 010217	4001116 050213
silver	10.0mm	1.0mm	loose	5 pcs.	4001116 010224	4001116 050220
silver	12.0mm	1.0mm	loose	5 pcs.	4001116 010231	4001116 050237
silver	16.0mm	1.0mm	loose	5 pcs.	4001116 010248	4001116 050244
silver	25.0mm	2.0mm	loose	5 pcs.	4001116 010255	4001116 050251
brass	6.0mm	1.0mm	loose	5 pcs.	4001116 020209	
brass	8.0mm	1.0mm	loose	5 pcs.	4001116 020216	
brass	10.0mm	1.0mm	loose	5 pcs.	4001116 020223	
brass	12.0mm	1.0mm	loose	5 pcs.	4001116 020230	
brass	16.0mm	1.0mm	loose	5 pcs.	4001116 020247	
2 Round bars						
silver	4.0mm		loose	5 pcs.	4001116 010330	4001116 050336
silver	6.0mm		loose	5 pcs.	4001116 010347	4001116 050343
silver	8.0mm		loose	5 pcs.	4001116 010309	4001116 050305
silver	10.0mm		loose	5 pcs.	4001116 010316	4001116 050312
silver	12.0mm		loose	5 pcs.	4001116 010323	4001116 050329

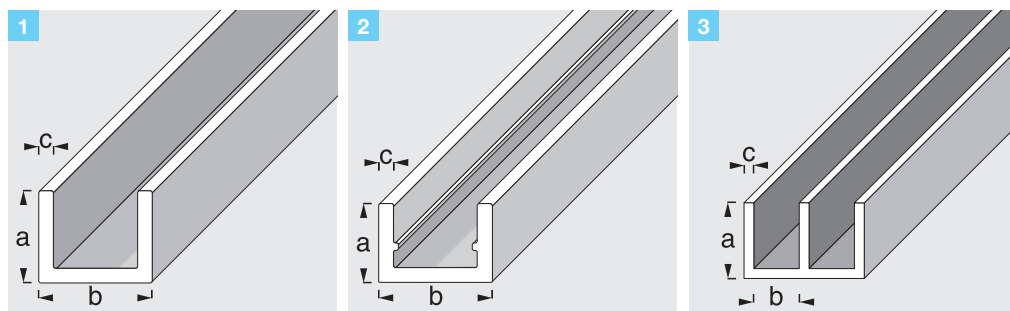
Profiles for DIY and professional purposes



Standard profiles in anodized aluminium

Color	Dim. a	Dim. b	Dim. c	Packaging	Min.OU	Length: 1.00 m	Length: 2.00 m
						EAN / item no.	EAN / item no.
1 Angle, unequal-sided							
silver	20.0 mm	10.0 mm	1.5 mm	loose	5 pcs.	4001116010507	4001116050503
silver	25.0 mm	20.0 mm	2.0 mm	loose	5 pcs.	4001116010514	4001116050510
silver	30.0 mm	20.0 mm	3.0 mm	loose	5 pcs.	4001116010521	4001116050527
silver	40.0 mm	15.0 mm	2.0 mm	loose	5 pcs.	4001116010538	4001116050534
silver	35.0 mm	20.0 mm	2.0 mm	loose	5 pcs.	4001116010545	4001116050541
2 Edge protecting profiles							
silver	19.0 mm	8.0 mm	1.6 mm	loose	5 pcs.	4001116014017	4001116054013
silver	14.0 mm	10.0 mm	1.5 mm	loose	5 pcs.	4001116014024	4001116054020
3 Hinge profile for Ø 6.1 mm							
silver	20.0 mm	9.0 mm	2.0 mm	loose	5 pcs.	4001116011108	4001116051104

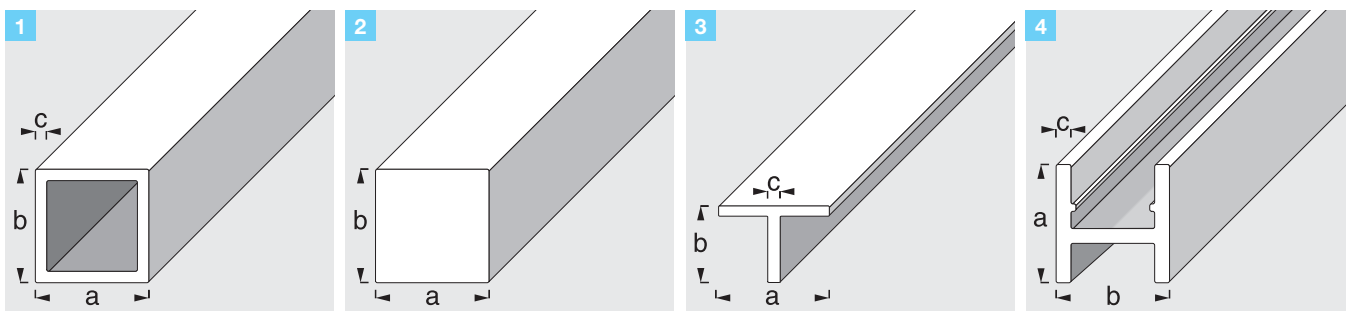
Profiles for DIY and professional purposes



Standard profiles in anodized aluminium

Color	Dim. a	Dim. b	Dim. c	Packaging	Min.OU	Length: 1.00 m	Length: 2.00 m
						EAN / item no.	EAN / item no.
1 U-profile							
silver	8.0 mm	10.1 mm	1.3 mm	loose	5 pcs.	4001116 01065 1	4001116 05065 7
2 U-profiles							
silver	10.0 mm	11.5 mm	1.5 mm	loose	5 pcs.	4001116 01060 6	4001116 05060 2
silver	10.0 mm	13.5 mm	1.5 mm	loose	5 pcs.	4001116 01061 3	4001116 05061 9
silver	10.0 mm	16.5 mm	1.5 mm	loose	5 pcs.	4001116 01062 0	4001116 05062 6
silver	10.0 mm	19.5 mm	1.5 mm	loose	5 pcs.	4001116 01063 7	4001116 05063 3
silver	10.0 mm	22.5 mm	1.5 mm	loose	5 pcs.	4001116 01064 4	4001116 05064 0
3 guide rail profile, assembly below							
uncoated	6.0 mm	6.0 mm	1.3 mm	loose	5 pcs.	4001116 00140 6	4001116 04140 2
silver	6.0 mm	6.0 mm	1.3 mm	loose	5 pcs.	4001116 01140 5	4001116 05140 1
brass	6.0 mm	6.0 mm	1.3 mm	loose	5 pcs.	4001116 02140 4	4001116 06140 0
bronze	6.0 mm	6.0 mm	1.3 mm	loose	5 pcs.	4001116 03140 3	4001116 07140 9
3 guide rail profile, assembly at the top							
uncoated	10.0 mm	6.0 mm	1.3 mm	loose	5 pcs.	4001116 00139 0	4001116 04139 5
silver	10.0 mm	6.0 mm	1.3 mm	loose	5 pcs.	4001116 01139 9	4001116 05139 5
brass	10.0 mm	6.0 mm	1.3 mm	loose	5 pcs.	4001116 02139 8	4001116 06139 3
bronze	10.0 mm	6.0 mm	1.3 mm	loose	5 pcs.	4001116 03139 7	4001116 07139 3

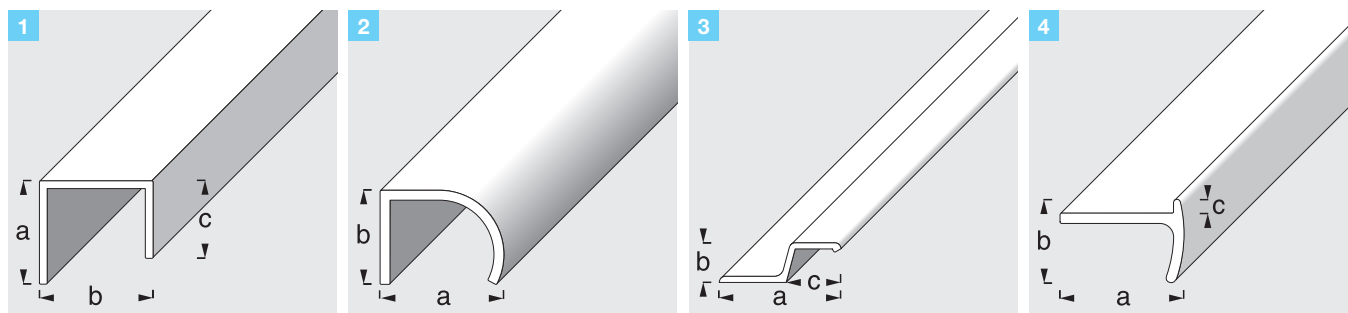
Profiles for DIY and professional purposes



Standard profiles in anodized aluminium

Color	Dim. a	Dim. b	Dim. c	Packaging	Min.OU	Length: 1.00 m	Length: 2.00 m
						EAN / item no.	EAN / item no.
1 Square tubes							
silver	10.0 mm	10.0 mm	1.0 mm	loose	5 pcs.	4001116010729	4001116050725
silver	15.0 mm	15.0 mm	1.0 mm	loose	5 pcs.	4001116010736	4001116050732
silver	20.0 mm	20.0 mm	1.5 mm	loose	5 pcs.	4001116010705	4001116050701
silver	25.0 mm	25.0 mm	1.5 mm	loose	5 pcs.	4001116010712	4001116050718
2 Square bars							
silver	10.0 mm	10.0 mm		loose	5 pcs.	4001116010804	4001116050800
silver	12.0 mm	12.0 mm		loose	5 pcs.	4001116010811	4001116050817
silver	16.0 mm	16.0 mm		loose	5 pcs.	4001116010828	4001116050824
3 T-profiles							
silver	15.0 mm	15.0 mm	2.0 mm	loose	5 pcs.	4001116010903	4001116050909
silver	20.0 mm	20.0 mm	2.0 mm	loose	5 pcs.	4001116010910	4001116050916
4 H-profiles							
silver	12.0 mm	11.5 mm	1.5 mm	loose	5 pcs.	4001116011009	4001116051005
silver	14.0 mm	13.5 mm	1.5 mm	loose	5 pcs.	4001116011016	4001116051012
silver	14.0 mm	16.5 mm	1.5 mm	loose	5 pcs.	4001116011023	4001116051029
silver	16.0 mm	19.5 mm	1.5 mm	loose	5 pcs.	4001116011030	4001116051036
silver	16.0 mm	22.5 mm	1.5 mm	loose	5 pcs.	4001116011047	4001116051043

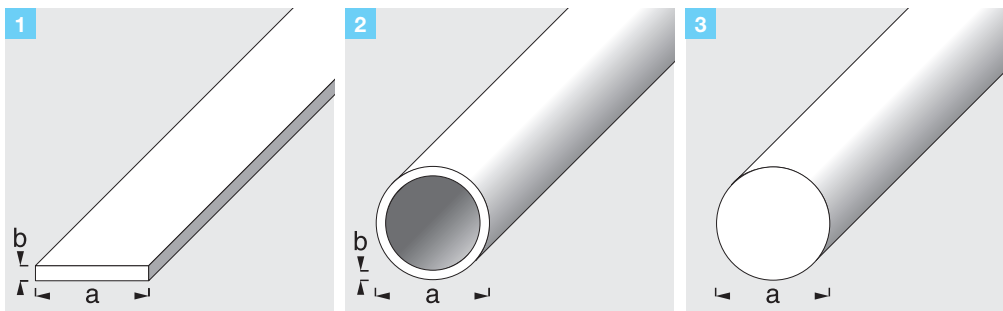
Profiles for DIY and professional purposes



Standard profiles in anodized aluminium

Color	Dim. a	Dim. b	Dim. c	Material thickness	Packaging	Min.OU	Length: 1.00 m	Length: 2.00 m
							EAN / item no.	EAN / item no.
1 Handle profile								
silver	20.0 mm	22.0 mm	15.0 mm	1.5 mm	loose	5 pcs.	400111601403 1	400111605403 7
2 Handle profile								
silver	25.0 mm	19.0 mm		2.0 mm	loose	5 pcs.	400111601404 8	400111605404 4
3 Handle profile								
silver	40.0 mm	13.0 mm	18.0 mm	2.0 mm	loose	5 pcs.	400111601405 5	400111605405 1
4 Handle profile								
silver	18.0 mm	12.0 mm	2.0 mm	1.5 mm	loose	5 pcs.	400111601410 9	400111605410 5

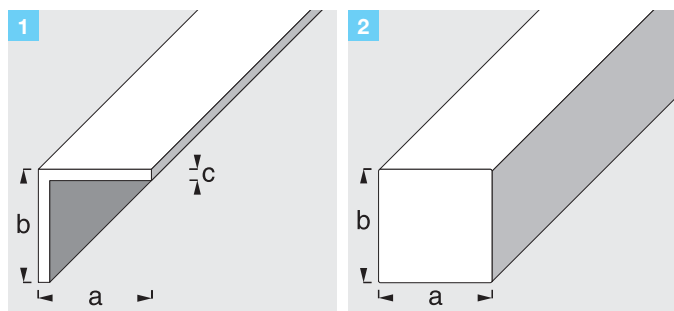
Profiles for DIY and professional purposes



Standard profiles in solid brass

Color	Dim. a	Dim. b	Packaging	Min.OU	Length: 1.00 m EAN / item no.
1 Flat bars					
brass	7.0 mm	2.5 mm	loose	5 pcs.	4001116202100
brass	10.0 mm	2.0 mm	loose	5 pcs.	4001116202117
brass	15.0 mm	2.0 mm	loose	5 pcs.	4001116202124
brass	20.0 mm	2.5 mm	loose	5 pcs.	4001116202131
2 Round tubes					
brass	2.0 mm	0.3 mm	loose	5 pcs.	4001116202209
brass	4.0 mm	0.5 mm	loose	5 pcs.	4001116202216
brass	6.0 mm	0.5 mm	loose	5 pcs.	4001116202223
brass	8.0 mm	0.5 mm	loose	5 pcs.	4001116202230
brass	10.0 mm	1.0 mm	loose	5 pcs.	4001116202247
3 Round bars					
brass	1.5 mm		loose	5 pcs.	4001116202339
brass	2.0 mm		loose	5 pcs.	4001116202346
brass	4.0 mm		loose	5 pcs.	4001116202308
brass	6.0 mm		loose	5 pcs.	4001116202315
brass	8.0 mm		loose	5 pcs.	4001116202322

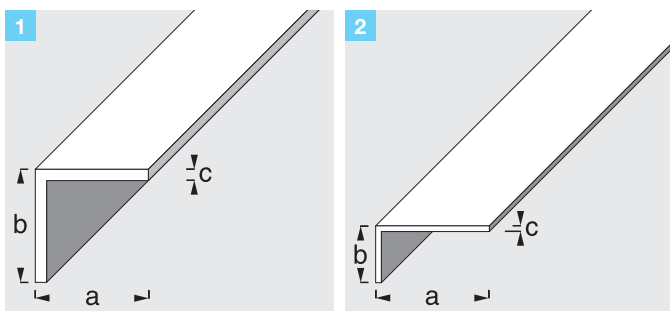
Profiles for DIY and professional purposes



Standard profiles in solid brass

Color	Dim. a	Dim. b	Dim. c	Packaging	Min.OU	Length: 1.00 m EAN / item no.
1 Angle, equal-sided						
brass	10.0 mm	10.0 mm	1.0 mm	loose	5 pcs.	400111620240 7
brass	15.0 mm	15.0 mm	1.5 mm	loose	5 pcs.	400111620241 4
brass	20.0 mm	20.0 mm	1.5 mm	loose	5 pcs.	400111620242 1
brass	25.0 mm	25.0 mm	2.0 mm	loose	5 pcs.	400111620243 8
2 Square bars						
brass	5.0 mm	5.0 mm		loose	5 pcs.	400111620280 3
brass	7.0 mm	7.0 mm		loose	5 pcs.	400111620281 0
brass	9.0 mm	9.0 mm		loose	5 pcs.	400111620282 7

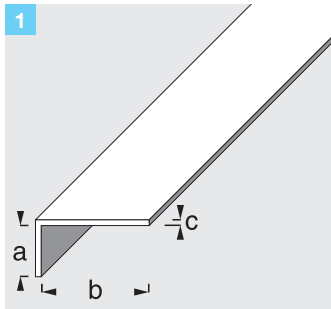
Profiles for DIY and professional purposes



Standard profiles in plastic (hard PVC)

Color	Dim. a	Dim. b	Dim. c	Packaging	Min.OU	Length: 1.00 m	Length: 2.00 m
						EAN / item no.	EAN / item no.
1 Angle, equal-sided							
black	10.0 mm	10.0 mm	1.0 mm	loose	5 pcs.	4001116 111402	4001116 151408
black	15.0 mm	15.0 mm	1.2 mm	loose	5 pcs.	4001116 111419	4001116 151415
black	20.0 mm	20.0 mm	1.5 mm	loose	5 pcs.	4001116 111426	4001116 151422
black	25.0 mm	25.0 mm	1.8 mm	loose	5 pcs.	4001116 111433	4001116 151439
white	10.0 mm	10.0 mm	1.0 mm	loose	5 pcs.	4001116 121401	4001116 161407
white	15.0 mm	15.0 mm	1.2 mm	loose	5 pcs.	4001116 121418	4001116 161414
white	20.0 mm	20.0 mm	1.5 mm	loose	5 pcs.	4001116 121425	4001116 161421
white	25.0 mm	25.0 mm	1.8 mm	loose	5 pcs.	4001116 121432	4001116 161438
white	30.0 mm	30.0 mm	1.1 mm	loose	5 pcs.	4001116 121753	4001116 161759
white	40.0 mm	40.0 mm	1.2 mm	loose	5 pcs.	4001116 121760	4001116 161766
white	50.0 mm	50.0 mm	1.4 mm	loose	5 pcs.		4001116 161773
2 Angle, unequal-sided							
black	20.0 mm	10.0 mm	1.5 mm	loose	5 pcs.	4001116 111501	4001116 151507
black	25.0 mm	20.0 mm	2.0 mm	loose	5 pcs.	4001116 111518	4001116 151514
black	30.0 mm	20.0 mm	3.0 mm	loose	5 pcs.	4001116 111525	4001116 151521
black	40.0 mm	10.0 mm	2.0 mm	loose	5 pcs.	4001116 111532	4001116 151538
white	20.0 mm	10.0 mm	1.5 mm	loose	5 pcs.	4001116 121500	4001116 161506
white	25.0 mm	20.0 mm	2.0 mm	loose	5 pcs.	4001116 121517	4001116 161513
white	30.0 mm	20.0 mm	3.0 mm	loose	5 pcs.	4001116 121524	4001116 161520
white	40.0 mm	10.0 mm	2.0 mm	loose	5 pcs.	4001116 121531	4001116 161537

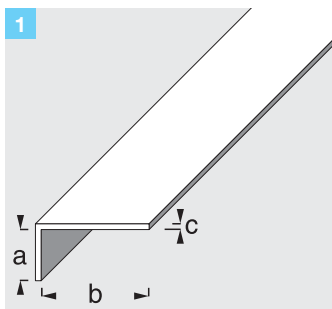
Profiles for DIY and professional purposes



Standard profiles in plastic (hard PVC)

Color	Dim. a	Dim. b	Dim. c	Packaging	Min.OU	Length: 1.00 m	Length: 2.00 m
						EAN / item no.	EAN / item no.
1 Angle, unequal-sided							
light oak	10.0 mm	13.0 mm	1.2 mm	loose	5 pcs.	4001116 123009	4001116 163005
light oak	10.0 mm	19.0 mm	1.2 mm	loose	5 pcs.	4001116 123108	4001116 163104
light oak	13.0 mm	22.0 mm	1.3 mm	loose	5 pcs.	4001116 123207	4001116 163203
light oak	16.0 mm	19.0 mm	1.3 mm	loose	5 pcs.	4001116 123306	4001116 163302
light oak	16.0 mm	25.0 mm	1.4 mm	loose	5 pcs.	4001116 123405	4001116 163401
light oak	19.0 mm	22.0 mm	1.4 mm	loose	5 pcs.	4001116 123504	4001116 163500
light oak	19.0 mm	28.0 mm	1.5 mm	loose	5 pcs.	4001116 123603	4001116 163609
light oak	25.0 mm	28.0 mm	1.5 mm	loose	5 pcs.	4001116 123702	4001116 163708
rustic oak	10.0 mm	13.0 mm	1.2 mm	loose	5 pcs.	4001116 123016	4001116 163012
rustic oak	10.0 mm	19.0 mm	1.2 mm	loose	5 pcs.	4001116 123115	4001116 163111
rustic oak	13.0 mm	22.0 mm	1.3 mm	loose	5 pcs.	4001116 123214	4001116 163210
rustic oak	16.0 mm	19.0 mm	1.3 mm	loose	5 pcs.	4001116 123313	4001116 163319
rustic oak	16.0 mm	25.0 mm	1.4 mm	loose	5 pcs.	4001116 123412	4001116 163418
rustic oak	19.0 mm	22.0 mm	1.4 mm	loose	5 pcs.	4001116 123511	4001116 163517
rustic oak	19.0 mm	28.0 mm	1.5 mm	loose	5 pcs.	4001116 123610	4001116 163616
rustic oak	25.0 mm	28.0 mm	1.5 mm	loose	5 pcs.	4001116 123719	4001116 163715
walnut	10.0 mm	13.0 mm	1.2 mm	loose	5 pcs.	4001116 123023	4001116 163029
walnut	10.0 mm	19.0 mm	1.2 mm	loose	5 pcs.	4001116 123122	4001116 163128
walnut	13.0 mm	22.0 mm	1.3 mm	loose	5 pcs.	4001116 123221	4001116 163227
walnut	16.0 mm	19.0 mm	1.3 mm	loose	5 pcs.	4001116 123320	4001116 163326
walnut	16.0 mm	25.0 mm	1.4 mm	loose	5 pcs.	4001116 123429	4001116 163425
walnut	19.0 mm	22.0 mm	1.4 mm	loose	5 pcs.	4001116 123528	4001116 163524
walnut	19.0 mm	28.0 mm	1.5 mm	loose	5 pcs.	4001116 123627	4001116 163623
walnut	25.0 mm	28.0 mm	1.5 mm	loose	5 pcs.	4001116 123726	4001116 163722

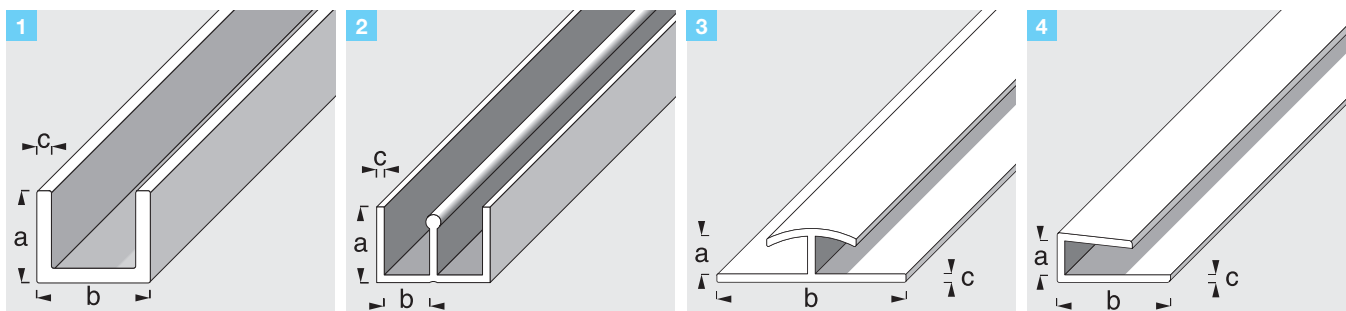
Profiles for DIY and professional purposes



Standard profiles in plastic (hard PVC)

Color	Dim. a	Dim. b	Dim. c	Packaging	Min.OU	Length: 1.00 m	Length: 2.00 m
						EAN / item no.	EAN / item no.
1 Angle, unequal-sided							
pine	10.0 mm	13.0 mm	1.2 mm	loose	5 pcs.	4001116 12303 0	4001116 16303 6
pine	10.0 mm	19.0 mm	1.2 mm	loose	5 pcs.	4001116 12313 9	4001116 16313 5
pine	13.0 mm	22.0 mm	1.3 mm	loose	5 pcs.	4001116 12323 8	4001116 16323 4
pine	16.0 mm	19.0 mm	1.3 mm	loose	5 pcs.	4001116 12333 7	4001116 16333 3
pine	16.0 mm	25.0 mm	1.4 mm	loose	5 pcs.	4001116 12343 6	4001116 16343 2
pine	19.0 mm	22.0 mm	1.4 mm	loose	5 pcs.	4001116 12353 5	4001116 16353 1
pine	19.0 mm	28.0 mm	1.5 mm	loose	5 pcs.	4001116 12363 4	4001116 16363 0
pine	25.0 mm	28.0 mm	1.5 mm	loose	5 pcs.	4001116 12373 3	4001116 16373 9
brown	10.0 mm	13.0 mm	1.2 mm	loose	5 pcs.	4001116 12304 7	4001116 16304 3
brown	10.0 mm	19.0 mm	1.2 mm	loose	5 pcs.	4001116 12314 6	4001116 16314 2
brown	13.0 mm	22.0 mm	1.3 mm	loose	5 pcs.	4001116 12324 5	4001116 16324 1
brown	16.0 mm	19.0 mm	1.3 mm	loose	5 pcs.	4001116 12334 4	4001116 16334 0
brown	16.5 mm	25.0 mm	1.4 mm	loose	5 pcs.	4001116 12344 3	4001116 16344 9
brown	19.0 mm	22.0 mm	1.4 mm	loose	5 pcs.	4001116 12354 2	4001116 16354 8
brown	19.0 mm	28.0 mm	1.5 mm	loose	5 pcs.	4001116 12364 1	4001116 16364 7
brown	25.0 mm	28.0 mm	1.5 mm	loose	5 pcs.	4001116 12374 0	4001116 16374 6
white	10.0 mm	13.0 mm	1.2 mm	loose	5 pcs.	4001116 12305 4	4001116 16305 0
white	10.0 mm	19.0 mm	1.2 mm	loose	5 pcs.	4001116 12315 3	4001116 16315 9
white	13.0 mm	22.0 mm	1.3 mm	loose	5 pcs.	4001116 12325 2	4001116 16325 8
white	16.0 mm	19.0 mm	1.3 mm	loose	5 pcs.	4001116 12335 1	4001116 16335 7
white	16.0 mm	25.0 mm	1.4 mm	loose	5 pcs.	4001116 12345 0	4001116 16345 6
white	19.0 mm	22.0 mm	1.4 mm	loose	5 pcs.	4001116 12355 9	4001116 16355 5
white	19.0 mm	28.0 mm	1.5 mm	loose	5 pcs.	4001116 12365 8	4001116 16365 4
white	25.0 mm	28.0 mm	1.5 mm	loose	5 pcs.	4001116 12375 7	4001116 16375 3

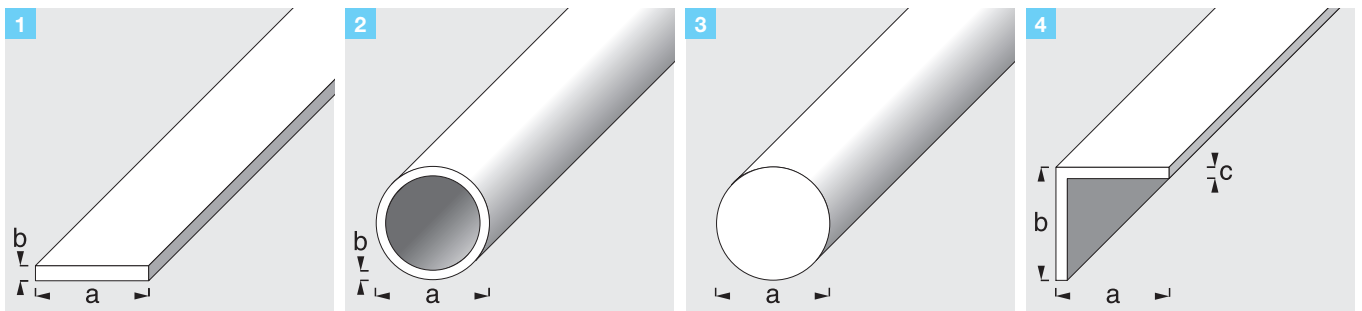
Profiles for DIY and professional purposes



Standard profiles in plastic (hard PVC)

Color	Dim. a	Dim. b	Dim. c	Packaging	Min.OU	Length: 1.00m	Length: 2.00m
						EAN / item no.	EAN / item no.
1 U-profile							
white	10.0mm	12.0mm	1.0mm	loose	5 pcs.	4001116 121609	4001116 161605
white	10.0mm	14.0mm	1.0mm	loose	5 pcs.	4001116 121616	4001116 161612
white	10.0mm	18.0mm	1.0mm	loose	5 pcs.	4001116 121623	4001116 161629
white	10.0mm	21.0mm	1.0mm	loose	5 pcs.	4001116 121630	4001116 161636
white	10.0mm	24.0mm	1.0mm	loose	5 pcs.	4001116 121647	4001116 161643
2 Guide rail profile, assembly below							
white	6.0mm	6.0mm	1.0mm	loose	5 pcs.	4001116 121654	4001116 161650
2 Guide rail profile, assembly at the top							
white	10.0mm	6.0mm	1.0mm	loose	5 pcs.	4001116 121661	4001116 161667
3 Edge profiles, two-sided							
white	4.0mm	25.0mm	1.0mm	loose	5 pcs.	4001116 121708	
4 Edge profiles, one-sided							
white	4.0mm	15.0mm	1.0mm	loose	5 pcs.	4001116 121715	

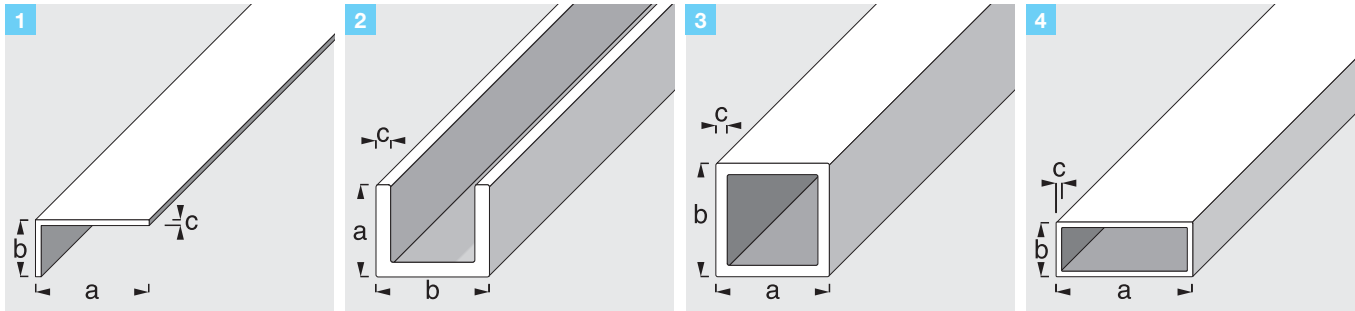
Profiles for DIY and professional purposes



Standard building profiles in uncoated aluminium

Color	Dim. a	Dim. b	Dim. c	Packaging	Min.OU	Length: 2.00 m EAN / item no.
1 Flat bars						
uncoated	20.0mm	2.0mm		loose	5 pcs.	4001116040108
uncoated	25.0mm	2.5mm		loose	5 pcs.	4001116040122
uncoated	30.0mm	3.0mm		loose	5 pcs.	4001116040146
uncoated	40.0mm	3.0mm		loose	5 pcs.	4001116040153
uncoated	50.0mm	4.0mm		loose	5 pcs.	4001116040160
uncoated	60.0mm	5.0mm		loose	5 pcs.	4001116040177
2 Round tubes						
uncoated	20.0mm	2.0mm		loose	1 pc.	4001116040269
uncoated	25.0mm	2.0mm		loose	1 pc.	4001116040252
uncoated	30.0mm	2.0mm		loose	1 pc.	4001116040276
uncoated	43.0mm	2.0mm		loose	1 pc.	4001116040283
uncoated	50.0mm	2.5mm		loose	1 pc.	4001116040290
3 Round bars						
uncoated	10.0mm			loose	5 pcs.	4001116040313
uncoated	12.0mm			loose	5 pcs.	4001116040320
4 Angle, equal-sided						
uncoated	20.0mm	20.0mm	1.5mm	loose	1 pc.	4001116040429
uncoated	25.0mm	25.0mm	2.0mm	loose	1 pc.	4001116040436
uncoated	30.0mm	30.0mm	2.5mm	loose	1 pc.	4001116040443
uncoated	40.0mm	40.0mm	3.0mm	loose	1 pc.	4001116040450
uncoated	50.0mm	50.0mm	4.0mm	loose	1 pc.	4001116040467
uncoated	60.0mm	60.0mm	4.0mm	loose	1 pc.	4001116040474
uncoated	80.0mm	80.0mm	4.0mm	loose	1 pc.	4001116040481

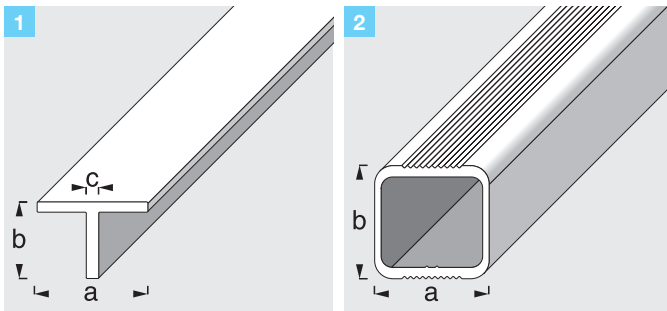
Profiles for DIY and professional purposes



Standard building profiles in uncoated aluminium

Color	Dim. a	Dim. b	Dim. c	Packaging	Min.OU	Length: 2.00 m EAN / item no.
1 Angle, unequal-sided						
uncoated	25.0 mm	20.0 mm	2.0 mm	loose	1 pc.	400111604051 1
uncoated	30.0 mm	20.0 mm	3.0 mm	loose	1 pc.	400111604052 8
uncoated	40.0 mm	15.0 mm	2.0 mm	loose	1 pc.	400111604053 5
uncoated	35.0 mm	20.0 mm	2.0 mm	loose	1 pc.	400111604054 2
uncoated	50.0 mm	30.0 mm	3.0 mm	loose	1 pc.	400111604055 9
uncoated	60.0 mm	25.0 mm	2.5 mm	loose	1 pc.	400111604056 6
2 U-Profiles						
uncoated	20.0 mm	20.0 mm	2.0 mm	loose	1 pc.	400111604066 5
uncoated	25.0 mm	25.0 mm	2.0 mm	loose	1 pc.	400111604067 2
uncoated	20.0 mm	30.0 mm	2.0 mm	loose	1 pc.	400111604068 9
uncoated	55.0 mm	65.0 mm	4.0 mm	loose	1 pc.	400111604069 6
uncoated	40.0 mm	86.0 mm	3.0 mm	loose	1 pc.	400111604135 8
3 Square tubes						
uncoated	20.0 mm	20.0 mm	1.5 mm	loose	1 pc.	400111604070 2
uncoated	25.0 mm	25.0 mm	1.5 mm	loose	1 pc.	400111604071 9
uncoated	30.0 mm	30.0 mm	2.0 mm	loose	1 pc.	400111604074 0
uncoated	40.0 mm	40.0 mm	2.0 mm	loose	1 pc.	400111604075 7
uncoated	50.0 mm	50.0 mm	2.0 mm	loose	1 pc.	400111604076 4
4 Rectangular tubes						
uncoated	60.0 mm	25.0 mm	2.0 mm	loose	1 pc.	400111604428 1
uncoated	50.0 mm	20.0 mm	2.0 mm	loose	1 pc.	400111604432 8
uncoated	80.0 mm	40.0 mm	4.0 mm	loose	1 pc.	400111604433 5

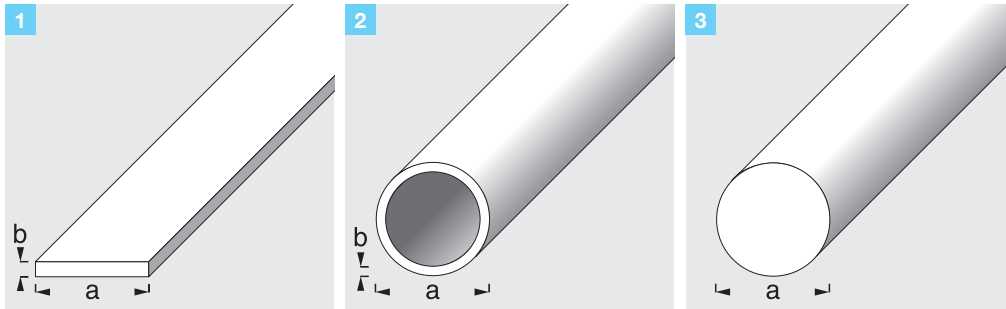
Profiles for DIY and professional purposes



Standard building profiles in uncoated aluminium

Color	Dim. a	Dim. b	Dim. c	Packaging	Min.OU	Length: 2.00 m EAN / item no.
1 T-Profiles						
uncoated	20.0 mm	20.0 mm	2.0 mm	loose	1 pc.	4001116040917
uncoated	30.0 mm	30.0 mm	3.0 mm	loose	1 pc.	4001116040924
uncoated	40.0 mm	40.0 mm	3.0 mm	loose	1 pc.	4001116040931
2 Ladder step profile						
uncoated	25.0 mm	25.0 mm		loose	1 pc.	4001116044311

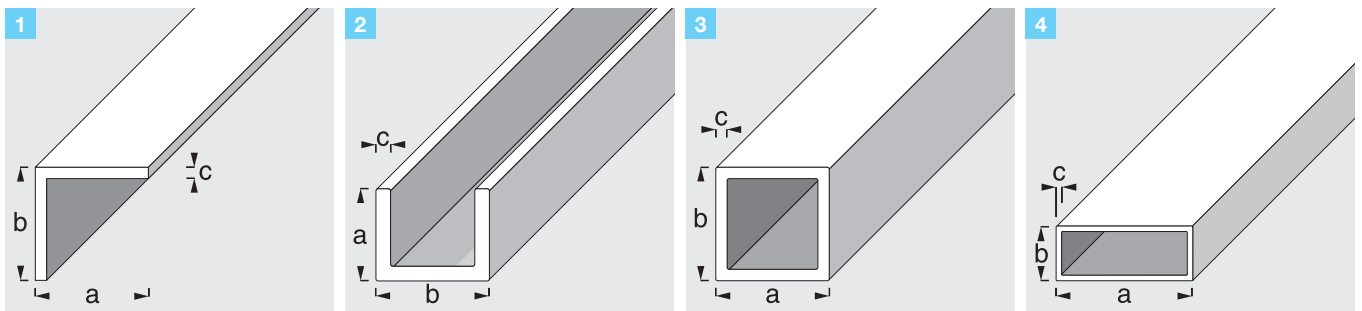
Profiles for DIY and professional purposes



Standard profiles in blue steel rolling

Dim. a	Dim. b	Packaging	Min.OU	Length: 2.00 m EAN / item no.
1 Flat bars				
12.0 mm	4.0 mm	loose	5 pcs.	4001116347108
20.0 mm	4.0 mm	loose	5 pcs.	4001116347115
25.0 mm	6.0 mm	loose	5 pcs.	4001116347122
30.0 mm	6.0 mm	loose	5 pcs.	4001116347139
2 Round tubes				
12.0 mm	1.0 mm	loose	5 pcs.	4001116347207
15.0 mm	1.0 mm	loose	5 pcs.	4001116347214
22.0 mm	1.0 mm	loose	5 pcs.	4001116347221
3 Round bars				
8.0 mm		loose	5 pcs.	4001116347306
10.0 mm		loose	5 pcs.	4001116347313
12.0 mm		loose	5 pcs.	4001116347320

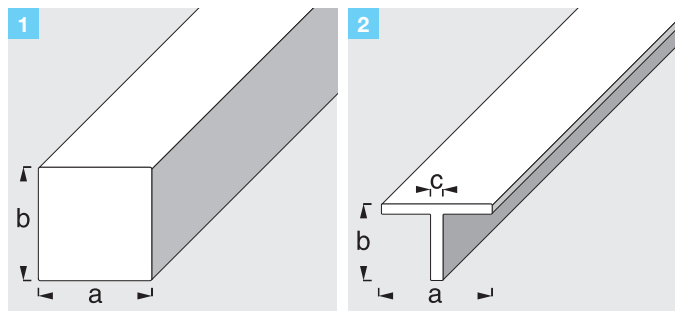
Profiles for DIY and professional purposes



Standard profiles in blue steel rolling

Dim. a	Dim. b	Dim. c	Packaging	Min.OU	Length: 2.00 m EAN / item no.
1 Angle, equal-sided					
10.0mm	10.0mm	1.0mm	loose	5 pcs.	4001116347405
15.0mm	15.0mm	1.5mm	loose	5 pcs.	4001116347412
20.0mm	20.0mm	3.0mm	loose	5 pcs.	4001116347429
25.0mm	25.0mm	3.0mm	loose	5 pcs.	4001116347436
2 U-Profile					
20.0mm	20.0mm	1.5mm	loose	5 pcs.	4001116347603
3 Square tubes					
15.0mm	15.0mm	1.5mm	loose	5 pcs.	4001116347702
20.0mm	20.0mm	1.5mm	loose	5 pcs.	4001116347719
25.0mm	25.0mm	1.5mm	loose	5 pcs.	4001116347726
4 Rectangular tubes					
40.0mm	25.0mm	2.0mm	loose	5 pcs.	4001116347733

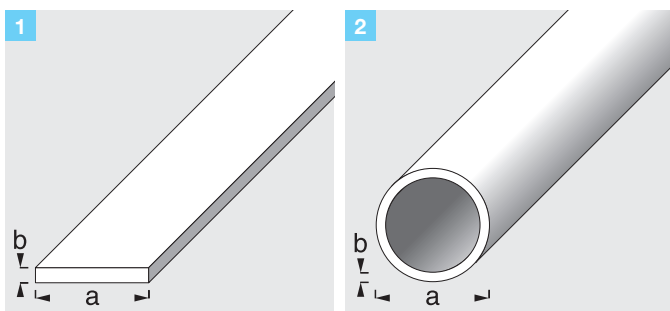
Profiles for DIY and professional purposes



Standard profiles in blue steel rolling

Dim. a	Dim. b	Dim. c	Packaging	Min.OU	Length: 2.00 m EAN / item no.
1 Square bars					
6.0mm	6.0mm		loose	5 pcs.	4001116 34780 1
8.0mm	8.0mm		loose	5 pcs.	4001116 34781 8
10.0mm	10.0mm		loose	5 pcs.	4001116 34782 5
12.0mm	12.0mm		loose	5 pcs.	4001116 34783 2
2 T-Profiles					
20.0mm	20.0mm	3.0mm	loose	5 pcs.	4001116 34790 0
25.0mm	25.0mm	3.5mm	loose	5 pcs.	4001116 34791 7

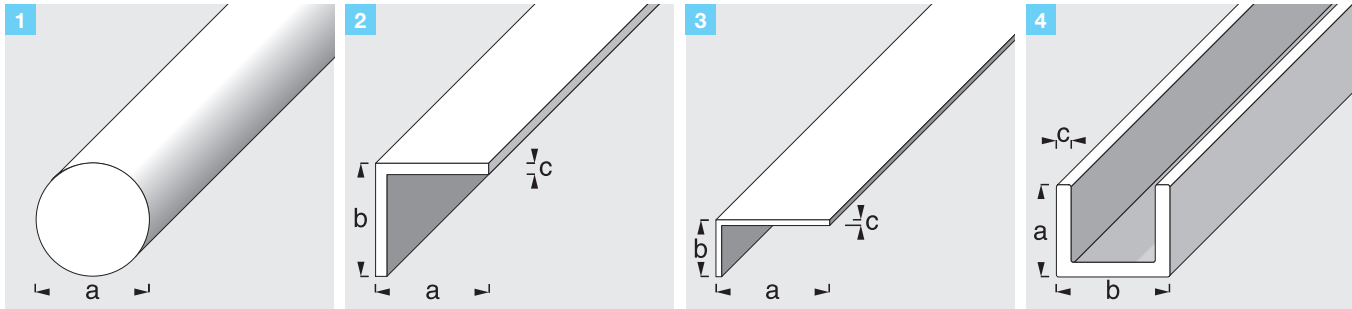
Profiles for DIY and professional purposes



Standard profiles in steel with special surface treatment

Dim. a	Dim. b	Packaging	Min.OU	Length: 1.00 m	Length: 2.00 m
				EAN / item no.	EAN / item no.
1 Flat bars, blue steel rolling					
10.0mm	4.0mm	loose	5 pcs.	4001116343100	4001116345104
12.0mm	4.0mm	loose	5 pcs.	4001116343117	4001116345111
14.0mm	5.0mm	loose	5 pcs.	4001116343124	4001116345128
20.0mm	4.0mm	loose	5 pcs.	4001116343131	4001116345135
20.0mm	8.0mm	loose	5 pcs.	4001116343148	4001116345142
25.0mm	4.0mm	loose	5 pcs.	4001116343155	4001116345159
25.0mm	6.0mm	loose	5 pcs.	4001116343179	4001116345173
30.0mm	4.0mm	loose	5 pcs.	4001116343186	4001116345180
30.0mm	6.0mm	loose	5 pcs.	4001116343193	4001116345197
35.0mm	6.0mm	loose	5 pcs.	4001116343209	4001116345203
40.0mm	8.0mm	loose	5 pcs.	4001116343216	4001116345210
2 Round tube in cold rolled steel					
6.0mm	1.0mm	loose	5 pcs.	4001116343308	4001116345302
8.0mm	1.0mm	loose	5 pcs.	4001116343315	4001116345319
10.0mm	1.0mm	loose	5 pcs.	4001116343322	4001116345326
12.0mm	1.0mm	loose	5 pcs.	4001116343339	4001116345333
14.0mm	1.0mm	loose	5 pcs.	4001116343346	4001116345340
15.0mm	1.0mm	loose	5 pcs.	4001116343353	4001116345357
16.0mm	1.0mm	loose	5 pcs.	4001116343360	4001116345364
20.0mm	1.25mm	loose	5 pcs.	4001116343377	4001116345371
22.0mm	1.0mm	loose	5 pcs.	4001116343384	4001116345388
25.0mm	1.5mm	loose	5 pcs.	4001116343407	4001116345401

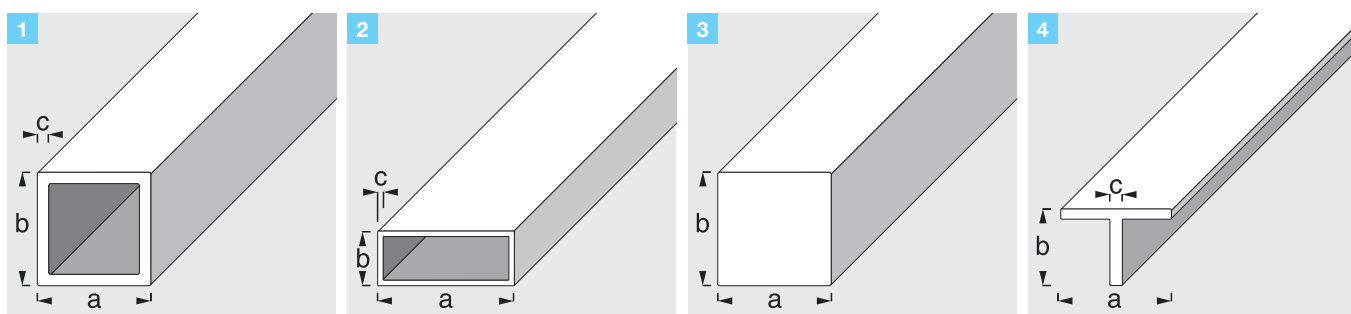
Profiles for DIY and professional purposes



Standard profiles in steel with special surface treatment

Dim. a	Dim. b	Dim. c	Packaging	Min.OU	Length: 1.00 m	Length: 2.00 m
					EAN / item no.	EAN / item no.
1 Round bar in blue steel rolling						
6.0 mm			loose	5 pcs.	4001116 343506	4001116 345500
8.0 mm			loose	5 pcs.	4001116 343513	4001116 345517
10.0 mm			loose	5 pcs.	4001116 343520	4001116 345524
12.0 mm			loose	5 pcs.	4001116 343537	4001116 345531
2 Angle, equal-sided in blue steel rolling						
20.0 mm	20.0 mm	3.0 mm	loose	5 pcs.	4001116 343643	4001116 345647
25.0 mm	25.0 mm	3.0 mm	loose	5 pcs.	4001116 343650	4001116 345654
30.0 mm	30.0 mm	3.0 mm	loose	5 pcs.	4001116 343667	4001116 345661
35.0 mm	35.0 mm	3.0 mm	loose	5 pcs.	4001116 343674	4001116 345678
40.0 mm	40.0 mm	3.0 mm	loose	5 pcs.	4001116 343682	4001116 345685
2 Angle, equal-sided in cold rolled steel						
10.0 mm	10.0 mm	1.0 mm	loose	5 pcs.	4001116 343605	4001116 345609
15.0 mm	15.0 mm	1.5 mm	loose	5 pcs.	4001116 343612	4001116 345616
20.0 mm	20.0 mm	1.5 mm	loose	5 pcs.	4001116 343629	4001116 345623
25.0 mm	25.0 mm	1.5 mm	loose	5 pcs.	4001116 343636	4001116 345630
3 Angle, unequal-sided in cold rolled steel						
20.0 mm	15.0 mm	1.5 mm	loose	5 pcs.	4001116 343704	4001116 345708
4 U-profile in cold rolled steel						
10.0 mm	10.0 mm	1.0 mm	loose	5 pcs.	4001116 343803	4001116 345807
11.0 mm	9.0 mm	1.0 mm	loose	5 pcs.	4001116 343810	4001116 345814
16.0 mm	16.0 mm	1.5 mm	loose	5 pcs.	4001116 343827	4001116 345821
20.0 mm	20.0 mm	1.5 mm	loose	5 pcs.	4001116 343834	4001116 345838

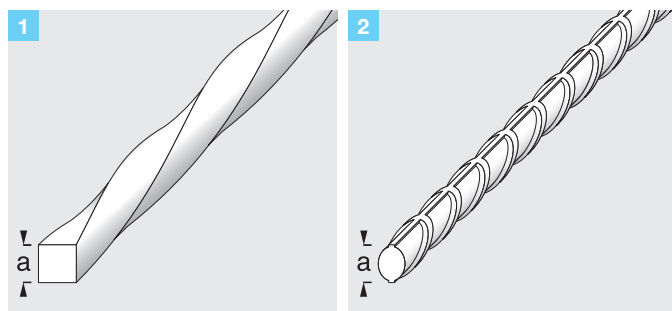
Profiles for DIY and professional purposes



Standard profiles in steel with special surface treatment

Dim. a	Dim. b	Dim. c	Packaging	Min.OU	Length: 1.00 m	Length: 2.00 m
					EAN / item no.	EAN / item no.
1 Square tube in cold rolled steel						
10.0mm	10.0mm	1.0mm	loose	5 pcs.	4001116343902	4001116345906
12.0mm	12.0mm	1.0mm	loose	5 pcs.	4001116343919	4001116345913
14.0mm	14.0mm	1.0mm	loose	5 pcs.	4001116343926	4001116345920
15.0mm	15.0mm	1.5mm	loose	5 pcs.	4001116343933	4001116345937
16.0mm	16.0mm	1.0mm	loose	5 pcs.	4001116343940	4001116345944
20.0mm	20.0mm	1.5mm	loose	5 pcs.	4001116343964	4001116345968
25.0mm	25.0mm	1.5mm	loose	5 pcs.	4001116343971	4001116345975
30.0mm	30.0mm	1.5mm	loose	5 pcs.	4001116343988	4001116345982
35.0mm	35.0mm	1.5mm	loose	5 pcs.	4001116343995	4001116345999
2 Rectangular tube, cold rolled steel						
30.0mm	20.0mm	1.5mm	loose	5 pcs.	4001116344107	4001116346101
35.0mm	20.0mm	1.5mm	loose	5 pcs.	4001116344114	4001116346118
40.0mm	25.0mm	2.0mm	loose	5 pcs.	4001116344121	4001116346125
40.0mm	27.0mm	1.5mm	loose	5 pcs.	4001116344138	4001116346132
3 Square bar in blue steel rolling						
6.0mm	6.0mm		loose	5 pcs.	4001116344206	4001116346200
8.0mm	8.0mm		loose	5 pcs.	4001116344213	4001116346217
10.0mm	10.0mm		loose	5 pcs.	4001116344220	4001116346224
12.0mm	12.0mm		loose	5 pcs.	4001116344237	4001116346231
14.0mm	14.0mm		loose	5 pcs.	4001116344244	4001116346248
4 T-profiles in blue steel rolling						
20.0mm	20.0mm	3.0mm	loose	5 pcs.	4001116344305	4001116346309
25.0mm	25.0mm	3.5mm	loose	5 pcs.	4001116344312	4001116346316

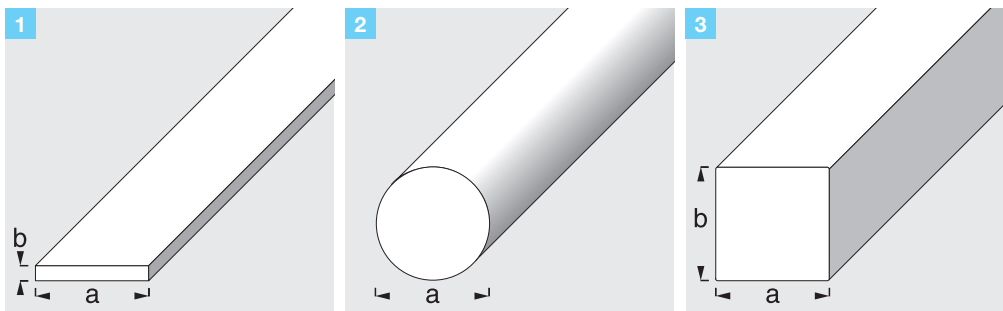
Profiles for DIY and professional purposes



Standard profiles in steel with special surface treatment

Dim. a	Packaging	Min.OU	Length: 1.00 m	Length: 2.00 m
			EAN / item no.	EAN / item no.
1 Square bar in blue steel rolling, curved				
10.0 mm	loose	5 pcs.	4001116 344404	4001116 346408
12.0 mm	loose	5 pcs.	4001116 344411	4001116 346415
14.0 mm	loose	5 pcs.	4001116 344428	4001116 346422
2 Concrete-ribbed steel, blue steel rolling				
6.0 mm	loose	5 pcs.	4001116 344435	4001116 346439
8.0 mm	loose	5 pcs.	4001116 344442	4001116 346446
10.0 mm	loose	5 pcs.	4001116 344459	4001116 346453

Profiles for DIY and professional purposes



Standard profiles in steel with special surface treatment

Dim. a	Dim. b	Packaging	Min.OU	Length: 1.00 m EAN / item no.
1 Flat bars, drawn steel				
10.0mm	2.0mm	loose	5 pcs.	4001116344503
16.0mm	2.0mm	loose	5 pcs.	4001116344510
20.0mm	2.0mm	loose	5 pcs.	4001116344527
25.0mm	2.0mm	loose	5 pcs.	4001116344534
30.0mm	2.0mm	loose	5 pcs.	4001116344541
2 Round bars, drawn steel				
4.0mm		loose	5 pcs.	4001116344602
5.0mm		loose	5 pcs.	4001116344619
6.0mm		loose	5 pcs.	4001116344626
8.0mm		loose	5 pcs.	4001116344633
10.0mm		loose	5 pcs.	4001116344640
12.0mm		loose	5 pcs.	4001116344657
3 Square bars, drawn steel				
4.0mm	4.0mm	loose	5 pcs.	4001116344701
5.0mm	5.0mm	loose	5 pcs.	4001116344718
6.0mm	6.0mm	loose	5 pcs.	4001116344725
7.0mm	7.0mm	loose	5 pcs.	4001116344732
8.0mm	8.0mm	loose	5 pcs.	4001116344749

4



Chapter 4

Trimming and order assortment



Profile hooks and utensils support 4.5 – 4.7

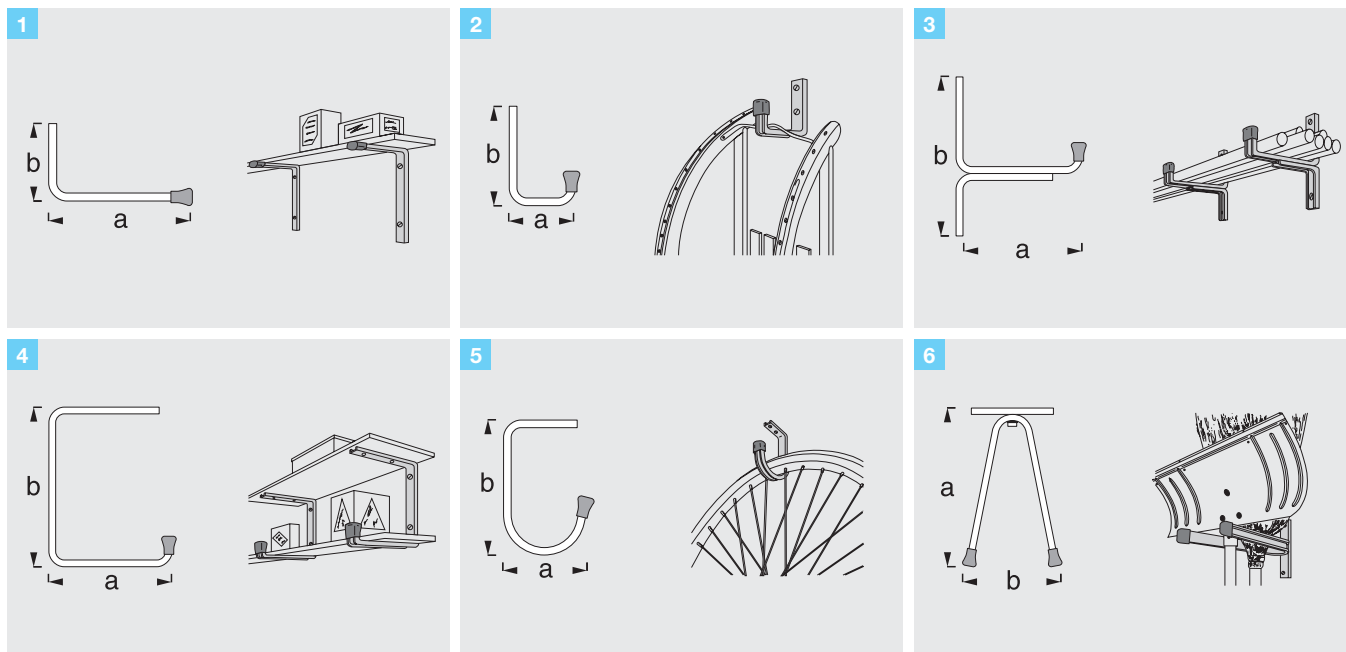
orditech[®]-rail-system and accessories 4.8

Massive brackets 4.9

Master-clamp 4.10

Hardware catalogue · 99005 024 · 71708 · 0705

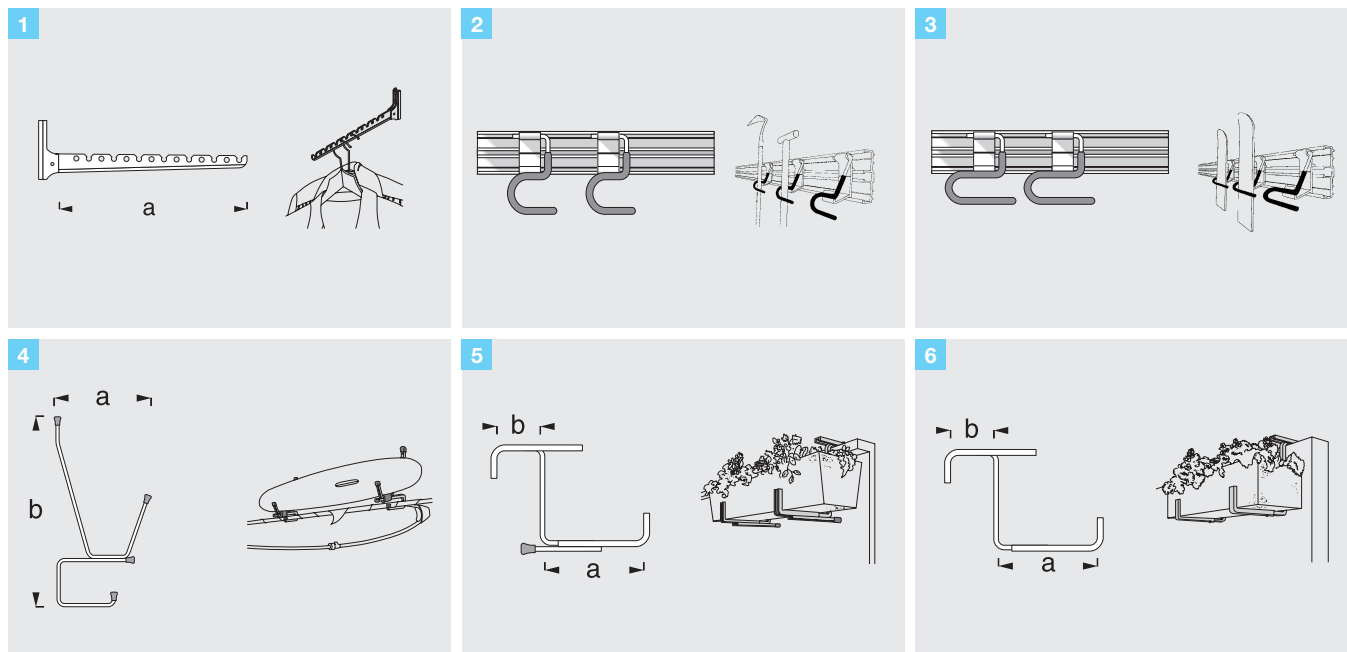
Trimming and order assortment



Profile hooks and utensils support in aluminium

Name	Dim. a	Dim. b	Loading capacity	Packaging	Min.OU	EAN / item no.
1 Wall hooks (can be combined with orditech® rail-hook system)						
Type 1	165.0mm	90.0mm	15 kg/hook	loose	10 pcs.	4001116019012
Type 2	230.0mm	130.0mm	15 kg/hook	loose	10 pcs.	4001116019029
2 Wall hooks (can be combined with orditech® rail-hook system)						
Type 3	80.0mm	120.0mm	30 kg/hook	loose	10 pcs.	4001116019036
Type 4	115.0mm	140.0mm	30 kg/hook	loose	10 pcs.	4001116019043
3 Wall hooks (can be combined with orditech® rail-hook system)						
Type 5	170.0mm	215.0mm	50 kg/hook	loose	10 pcs.	4001116019050
4 Wall and ceiling hooks (can be combined with orditech® rail-hook system)						
Type 6	115.0mm	160.0mm	15 kg/hook	loose	10 pcs.	4001116019067
Type 7	170.0mm	220.0mm	15 kg/hook	loose	10 pcs.	4001116019074
5 Bicycle hook (can be combined with orditech® rail-hook system)						
Type 8	100.0mm	165.0mm	20 kg/hook	loose	10 pcs.	4001116019081
6 Utensil hook						
Type 9	230.0mm	140.0mm	20 kg/hook	loose	10 pcs.	4001116019098

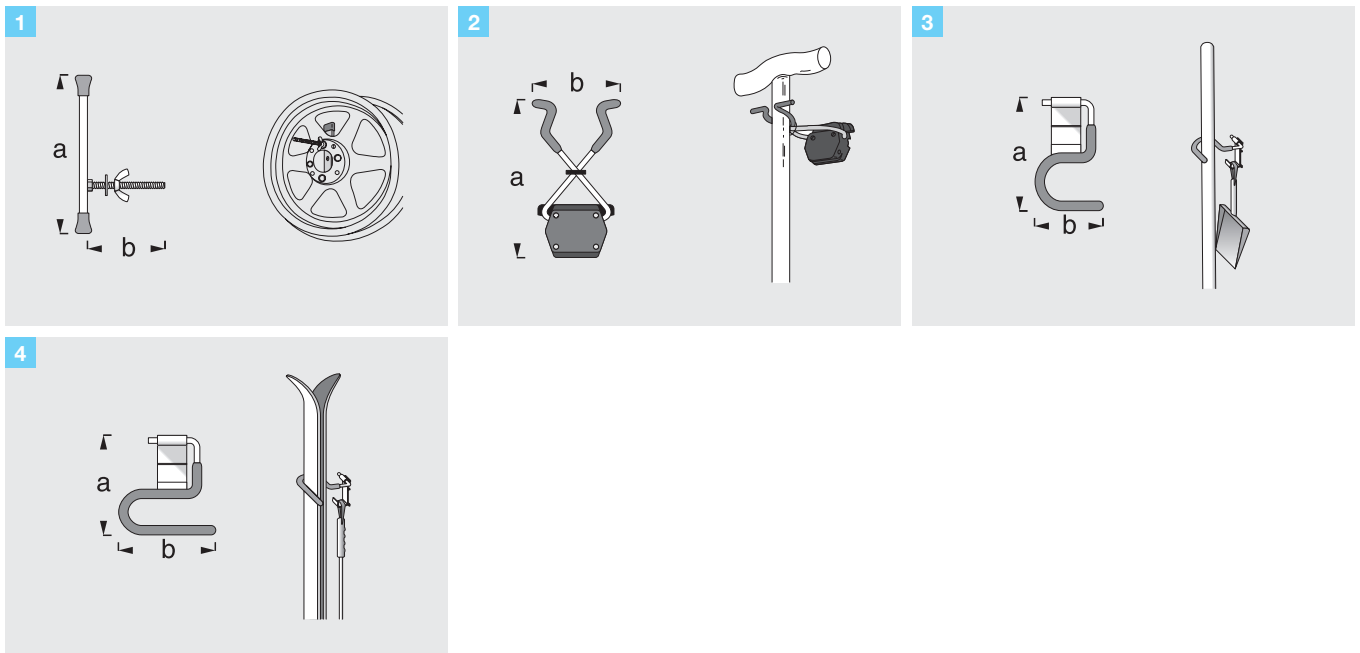
Trimming and order assortment



Profile hooks and utensils support in aluminium

Name	Color	Dim. a	Dim. b	Loading capacity	Packaging	Min.OU	EAN / item no.
1 Clothes hook (can be combined with orditech® rail-hook system)							
Type 10	silver-gray	330.0 mm		15 kg/hook	loose	10 pcs.	4001116019104
Type 10	white	330.0 mm		15 kg/hook	loose	10 pcs.	4001116019906
Type 10	brown	330.0 mm		15 kg/hook	loose	10 pcs.	4001116019913
Type 10	brass	330.0 mm		15 kg/hook	loose	10 pcs.	4001116018701
Type 10	bronze	330.0 mm		15 kg/hook	loose	10 pcs.	4001116018718
Type 10	blue	330.0 mm		15 kg/hook	loose	10 pcs.	4001116018725
2 Utensils support with orditech® rail-hook system)							
Type 11		500.0 mm		4 hooks	shrink-wrapped	1 pc.	4001116019111
Type 12		1000.0 mm		8 hooks	shrink-wrapped	1 pc.	4001116019128
3 Ski support with orditech® rail section							
Type 14		500.0 mm		4 hooks	shrink-wrapped	1 pc.	4001116019142
4 Surfboard holder							
Type 15		260.0 mm	530.0 mm	25 kg/hook	loose	2 pcs.	4001116019159
5 Flower box support with special supporting yoke							
Type 16		60.0-230.0 mm	35.0-155.0 mm	25 kg/hook	loose	2 pcs.	4001116019166
6 Flower box support							
Type 17		60.0-230.0 mm	35.0-155.0 mm	20 kg/hook	loose	2 pcs.	4001116019173

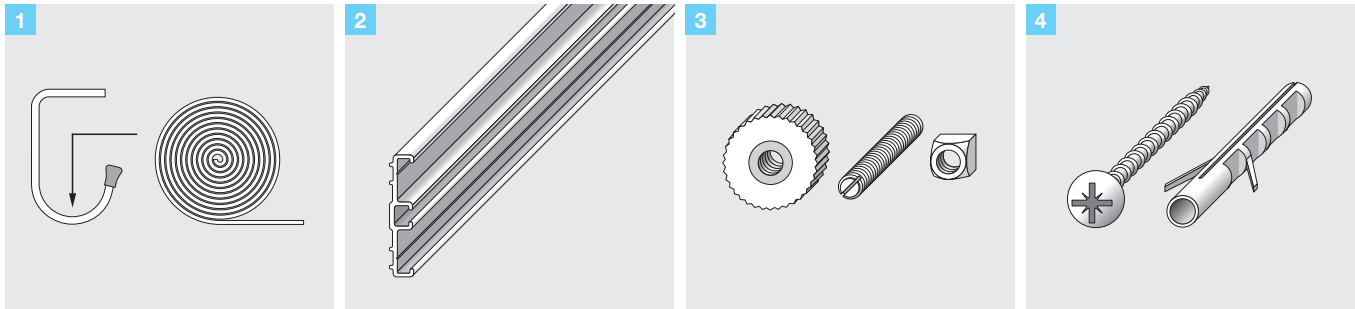
Trimming and order assortment



Profile hooks and utensils support in aluminium

Name	Dim. a	Dim. b	Loading capacity	Packaging	Min.OU	EAN / item no.
1 Support for rims (can be combined with orditech® rail-hook system)						
Type 19	180.0mm	90.0mm	30 kg/hook	loose	10 pcs.	4001116019197
2 Support for rims, assembly set (can be combined with orditech® rail-hook system)						
Type 19	140.0mm	90.0mm	30 kg/hook	clap-pac à 4 pcs.	5 pcs.	4001116519192
2 Utensils support						
Type 20	150.0mm	90.0mm	10 kg/hook	loose	10 pcs.	4001116019203
3 Utensils support (can be combined with orditech® rail-hook system)						
Type 21	90.0mm	55.0mm	20 kg/hook	loose	10 pcs.	4001116018213
4 Ski support (can be combined with orditech® rail-hook system)						
Type 22	70.0mm	80.0mm	20 kg/hook	loose	10 pcs.	4001116018220

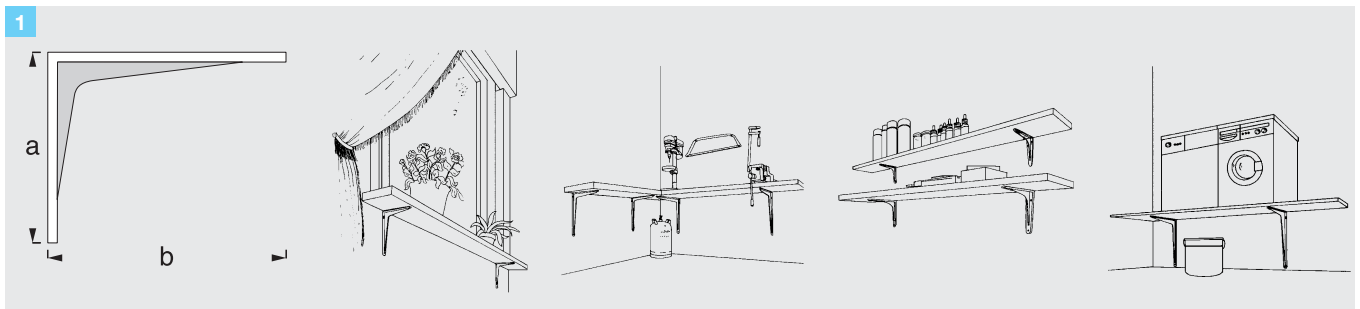
Trimming and order assortment



orditech®-rail-system and accessories

Color	Length	Width	Thickness	Packaging	Min.OU	EAN / item no.
1 Foam material tape for hooks, self adhesive (sa)						
black	2000.0 mm	18.0 mm	3.0 mm	clap-pac	5 pcs.	400111601897 8
2 Rail system in aluminium						
uncoated	1000.0 mm			loose	1 pc.	400111601810 7
uncoated	1500.0 mm			loose	1 pc.	400111601811 4
uncoated	2000.0 mm			loose	1 pc.	400111601812 1
3 Hook assembling set: 6 x set screws M 5 x 16, 6 x set screws M 5 x 23, 6 x PVC-knurled nuts, 12 x nuts M 5						
				SS bag	1 pc.	400111601895 4
4 Screws and dowels: 8 screws 4 x 45 mm, 8 dowels E6						
				SS bag	1 pc.	400111601896 1

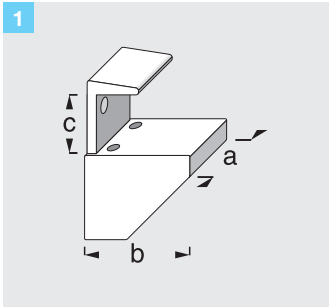
Trimming and order assortment



Massive brackets

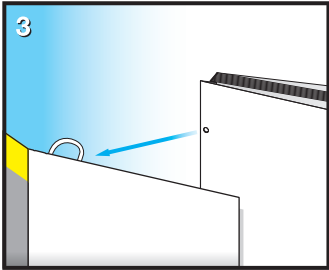
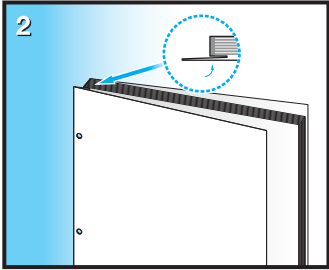
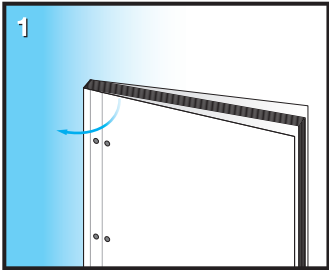
Color	Dim. a	Dim. b	Loading capacity	Packaging	Min.OU	EAN / item no.
1 Massive brackets, heavy aluminium casting quality						
tumbling polished	100.0 mm	125.0 mm	55 kg/console	loose	30 pcs.	4001116311253
tumbling polished	125.0 mm	150.0 mm	60 kg/console	loose	30 pcs.	4001116311505
tumbling polished	150.0 mm	175.0 mm	70 kg/console	loose	20 pcs.	4001116311758
tumbling polished	175.0 mm	200.0 mm	75 kg/console	loose	20 pcs.	4001116312007
tumbling polished	200.0 mm	250.0 mm	80 kg/console	loose	20 pcs.	4001116312502
tumbling polished	250.0 mm	300.0 mm	90 kg/console	loose	20 pcs.	4001116313004
tumbling polished	300.0 mm	350.0 mm	100 kg/console	loose	10 pcs.	4001116313509
tumbling polished	350.0 mm	400.0 mm	130 kg/console	loose	10 pcs.	4001116314001
tumbling polished	400.0 mm	450.0 mm	150 kg/console	loose	6 pcs.	4001116314506
tumbling polished	450.0 mm	500.0 mm	160 kg/console	loose	6 pcs.	4001116315008
1 Massive brackets, heavy aluminium casting quality, powder-coated						
white	100.0 mm	125.0 mm	55 kg/console	loose	30 pcs.	4001116017100
white	125.0 mm	150.0 mm	60 kg/console	loose	30 pcs.	4001116017117
white	150.0 mm	175.0 mm	70 kg/console	loose	20 pcs.	4001116017124
white	175.0 mm	200.0 mm	75 kg/console	loose	20 pcs.	4001116017131
white	200.0 mm	250.0 mm	80 kg/console	loose	20 pcs.	4001116017148
white	250.0 mm	300.0 mm	90 kg/console	loose	20 pcs.	4001116017155
white	350.0 mm	400.0 mm	130 kg/console	loose	10 pcs.	4001116017179
brown	125.0 mm	150.0 mm	60 kg/console	loose	30 pcs.	4001116017216
brown	175.0 mm	200.0 mm	75 kg/console	loose	20 pcs.	4001116017230
brown	250.0 mm	300.0 mm	90 kg/console	loose	20 pcs.	4001116017254
red	250.0 mm	300.0 mm	90 kg/console	loose	20 pcs.	4001116017353

Trimming and order assortment



Master-clamp for all shelf plates from 4.00 to 23.00 mm thickness

Color	Dim. a	Dim. b	Dim. c	Loading capacity	Packaging	Min.OU	EAN / item no.
1 Master-clamp in powder-coated aluminium							
white	43.0 mm	40.0 mm	4.0-23.0 mm	5 kg/clamp	clap-pac à 2 pcs.	5 pcs.	4001116019302
brown	43.0 mm	40.0 mm	4.0-23.0 mm	5 kg/clamp	clap-pac à 2 pcs.	5 pcs.	4001116019319
black	43.0 mm	40.0 mm	4.0-23.0 mm	5 kg/clamp	clap-pac à 2 pcs.	5 pcs.	4001116019326
red	43.0 mm	40.0 mm	4.0-23.0 mm	5 kg/clamp	clap-pac à 2 pcs.	5 pcs.	4001116019333
1 Master-clamp, brassed aluminium							
brass	43.0 mm	40.0 mm	4.0-23.0 mm	5 kg/clamp	clap-pac à 2 pcs.	5 pcs.	4001116019357
1 Master-clamp, brassed aluminium							
silver	43.0 mm	40.0 mm	4.0-23.0 mm	5 kg/clamp	clap-pac à 2 pcs.	5 pcs.	4001116019364



alfer[®] aluminium

www.alfer.com



alfer aluminium
Gesellschaft mbH
Horheim, Industriestraße 7
D-79793 Wutöschingen

Tel.: +49 (0) 77 46 / 92 01-0
Fax: +49 (0) 77 46 / 92 01-92

E-Mail: info@alfer.de